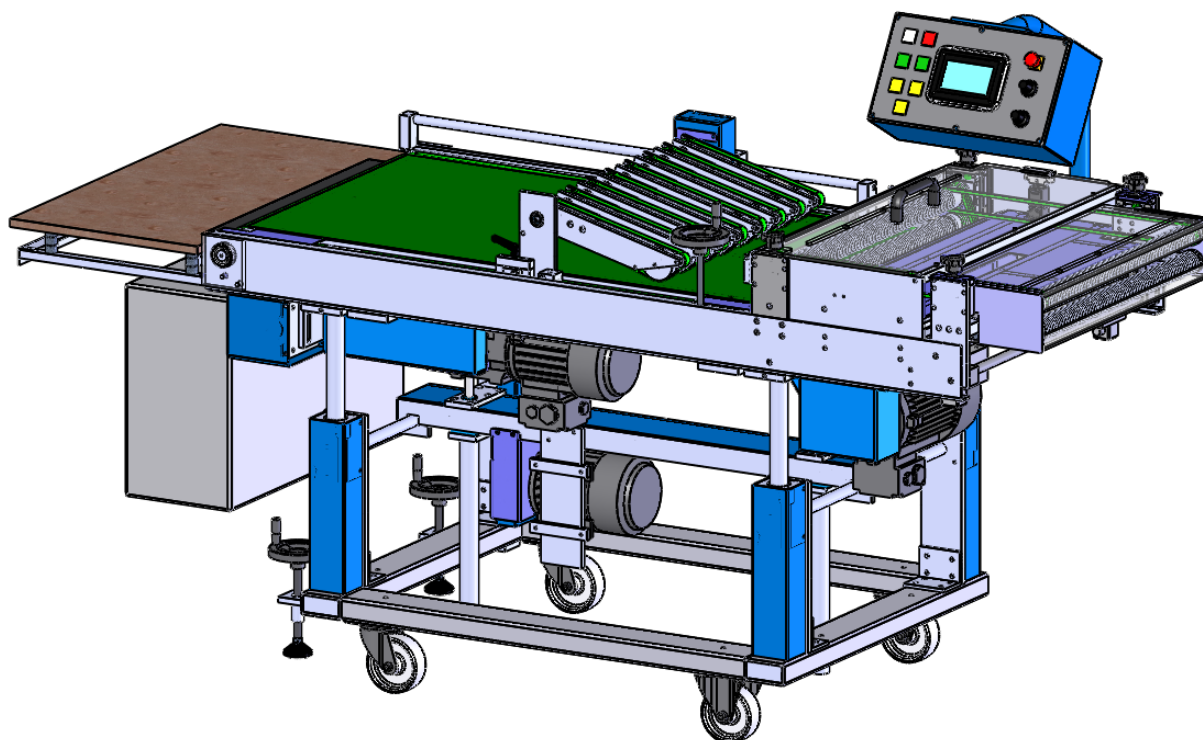




BOCHSLER GRAFISCHE MASCHINEN

## Replacement part catalogue



Stream delivery

SAB 550

**Ersatzteil / Spare part / Pièce de rechange  
Bestellung / Order / Commande**

Datum / Date / Date \_\_\_\_\_

Bestell-Nr. / Order-No. / No. de commande \_\_\_\_\_

Kunde / Customer / Client \_\_\_\_\_

**FAX-Bestellung / FAX Order / Commande par TELECOPIE**

Von: / From: / Expéditeur \_\_\_\_\_

Firma / Company / Sté \_\_\_\_\_

Strasse / Street / Adresse \_\_\_\_\_

Ort / Place / Localité \_\_\_\_\_

Kontaktperson / Contact / Interlocuteur \_\_\_\_\_

**Typschild: / Type plate: / Plaque signalétique**

Maschinentype

Machine type

Type de la machine

Maschinen Nr.

Serial number

Numéro de la machine

**Bestellung: / Order: / Commande:**

Anzahl Quantity Quantité	Artikel-Nr Part-No. Pièce-No	Bezeichnung Description Désignation

**Transportart / Postage / Courier service** Post Economy Post Priority Post Express UPS Standard UPS Express FedEx Lieferung direkt an Kunde / Direct delivery to customer / Livraison directe au client

Kundenadresse / Customer address / adresse du client \_\_\_\_\_

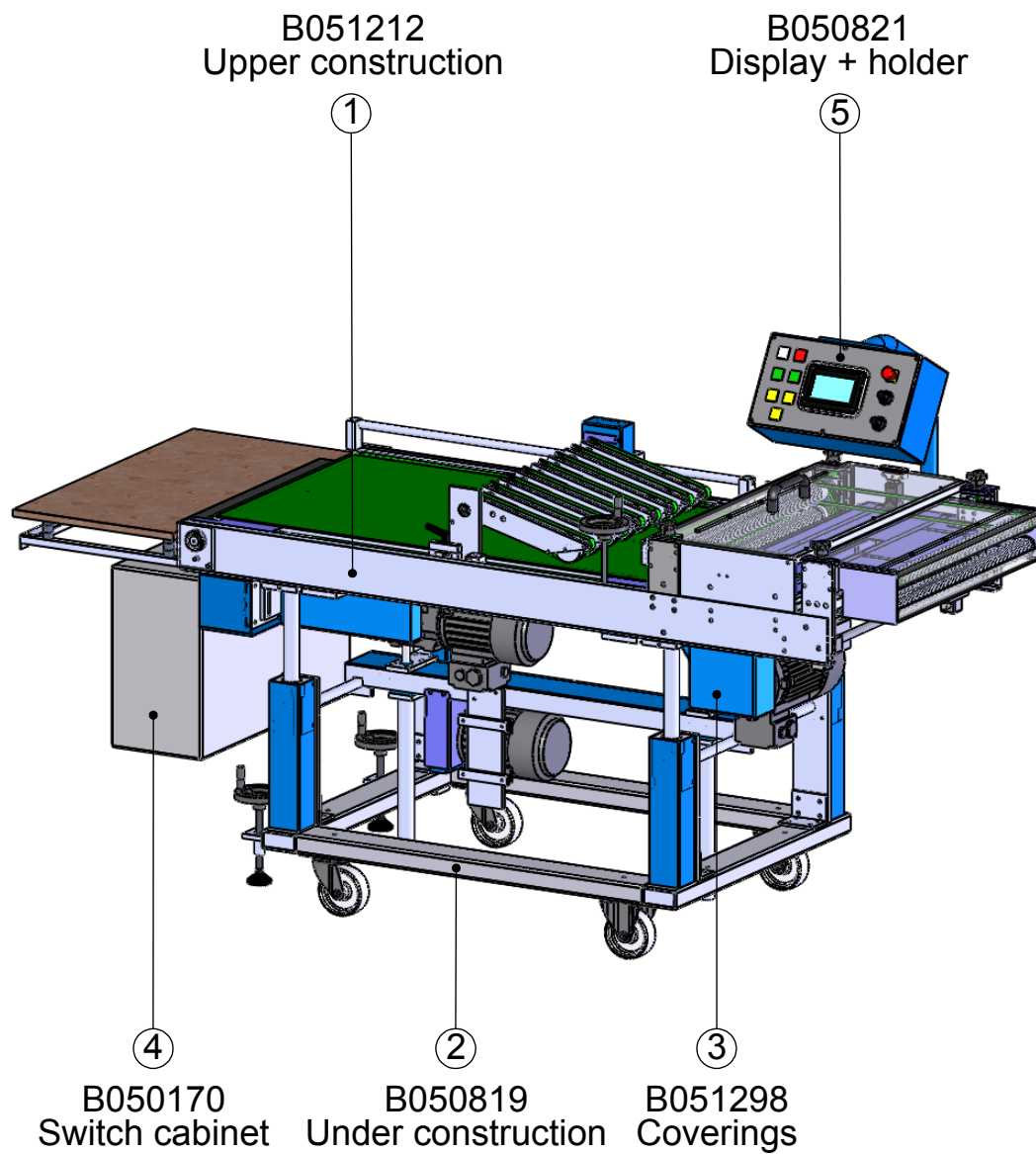
---



---



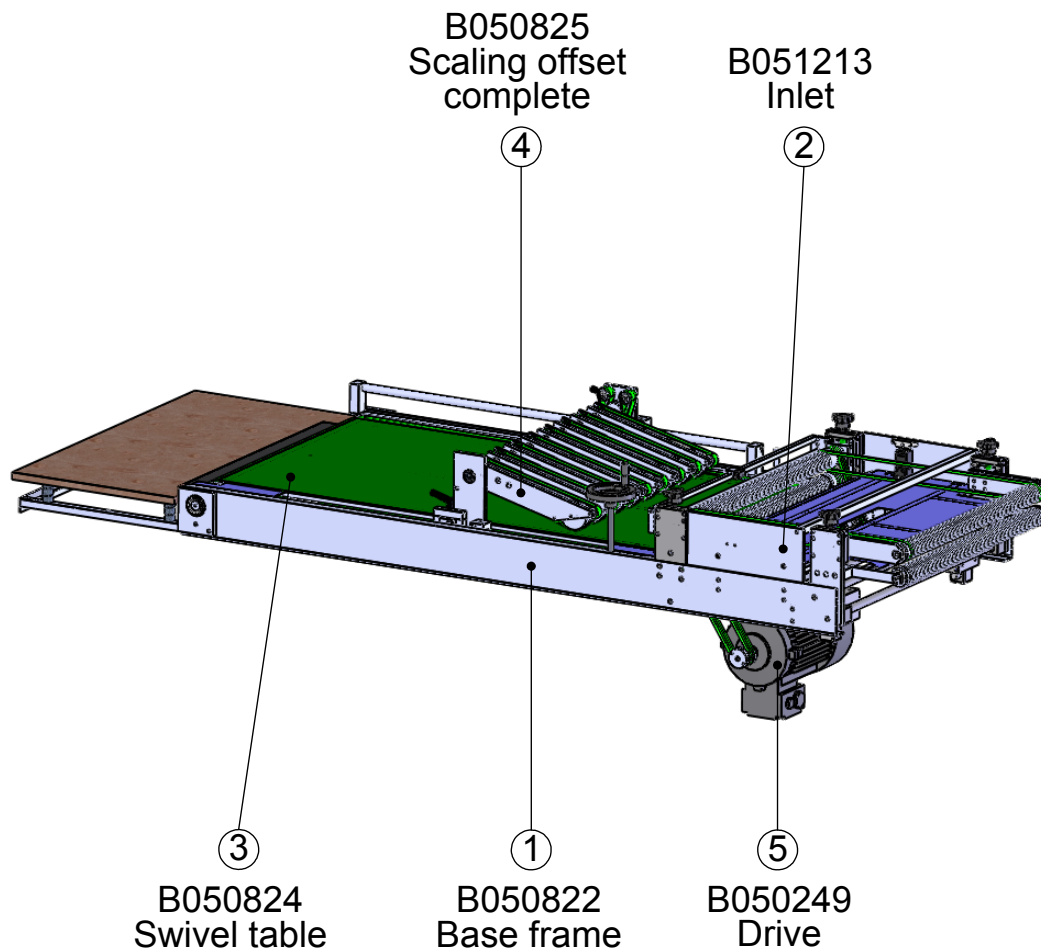
---



Pos.	Pcs.	Order number	Description	Cat.
1	1	B051212	Upper construction	S. 4
2	1	B050819	Under construction	S. 18
3	1	B051298	Coverings	S. 23
4	1	B050170	Switch cabinet	S. 24
5	1	B050821	Display + holder	S. 25

Stream delivery

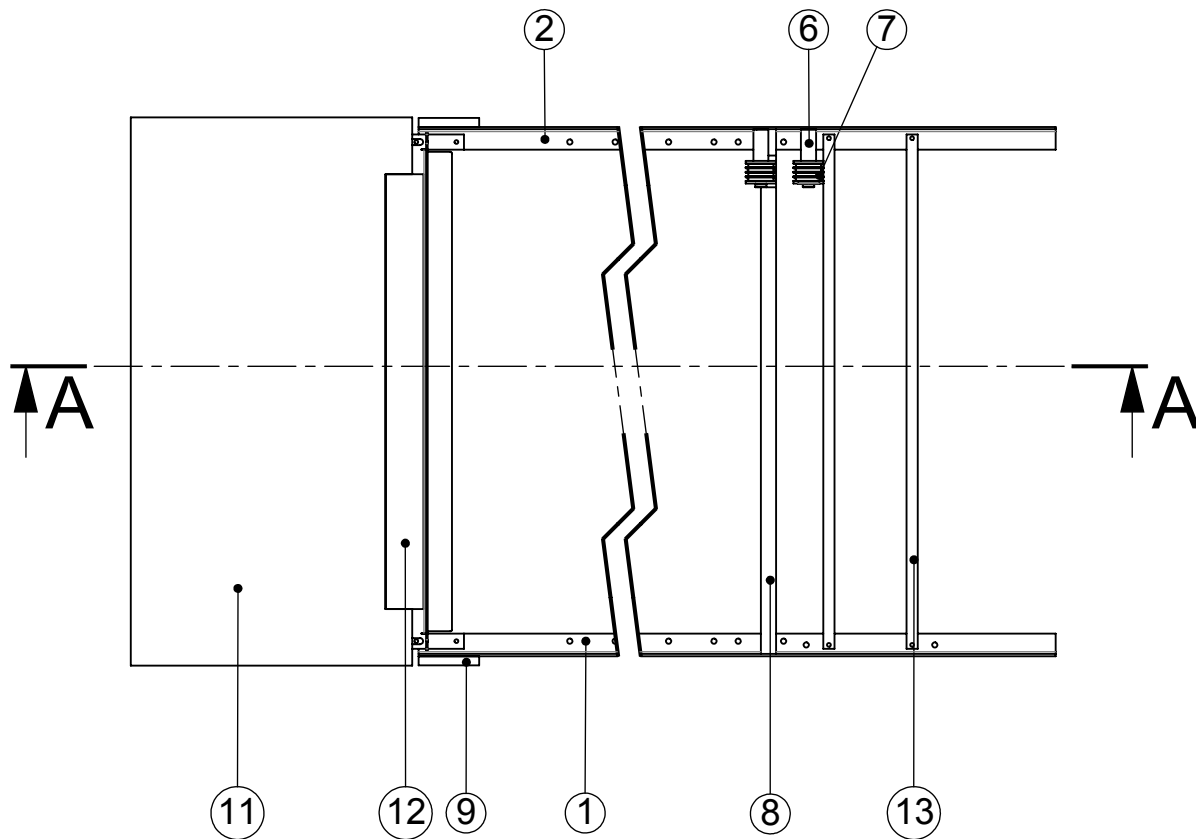
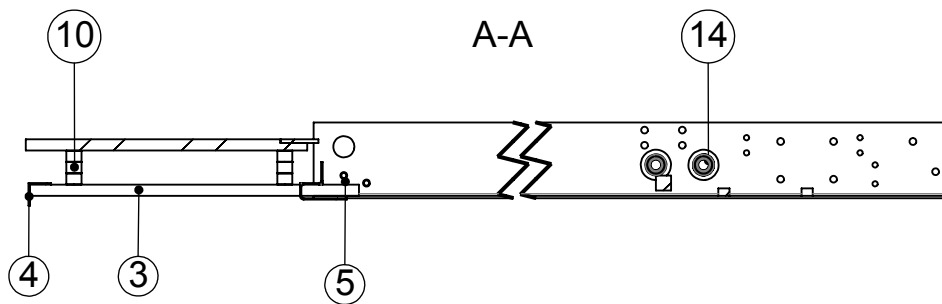
SAB 550



Pos.	Pcs.	Order number	Description	Cat.
1	1	B050822	Base frame	S. 5
2	1	B051213	Inlet	S. 6
3	1	B050824	Swivel table	S. 10
4	1	B050825	Scaling offset complete	S. 15
5	1	B050249	Drive	S. 17

## Upper construction

SAB 550

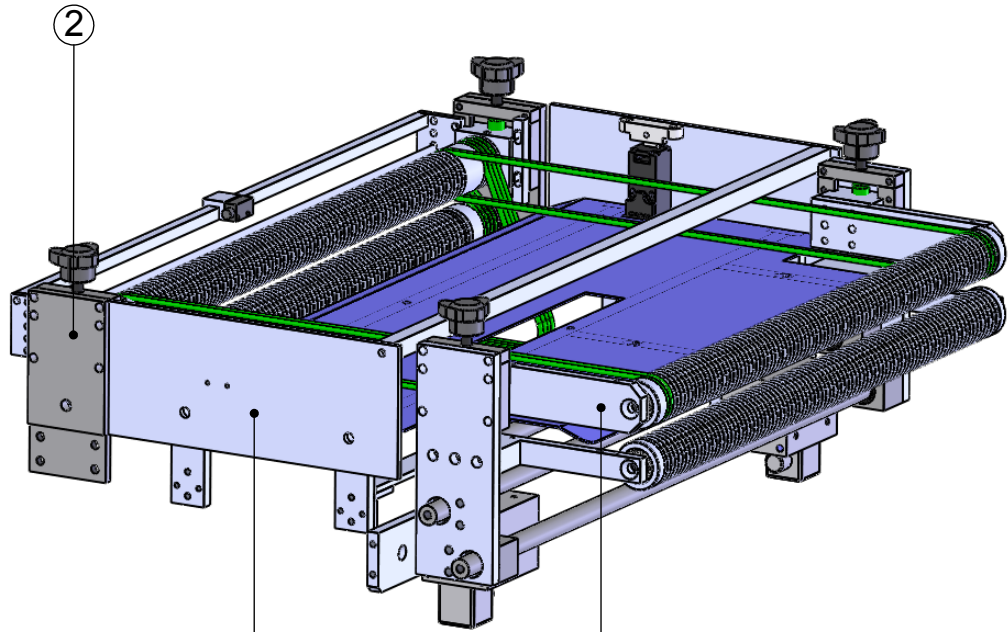


Pos	Pcs.	Order number	Description	Cat.	Pos	Pcs.	Order number	Description	Cat.
1	1	E050084	Basic profile front	C	8	1	E050837	Traverse	C
2	1	E050085	Basic profile behind	C	9	2	E050180	Outer bearing plate	C
3	2	E050092	Support depot board	C	10	12	E050196	Spacing ring	C
4	1	E050835	End angle	C	11	1	E050838	Wood plate	C
5	1	E050836	Protective angle	C	12	1	E050839	Rubber	C
6	2	E050096	Bearing bolts	C	13	2	E050840	Motor suspension inlet	C
7	2	E050097	Deflection roll	C	14	4	A050244	Ball bearing 61902.2Z	C

## Base frame

SAB 550

B050829  
Shafts behind

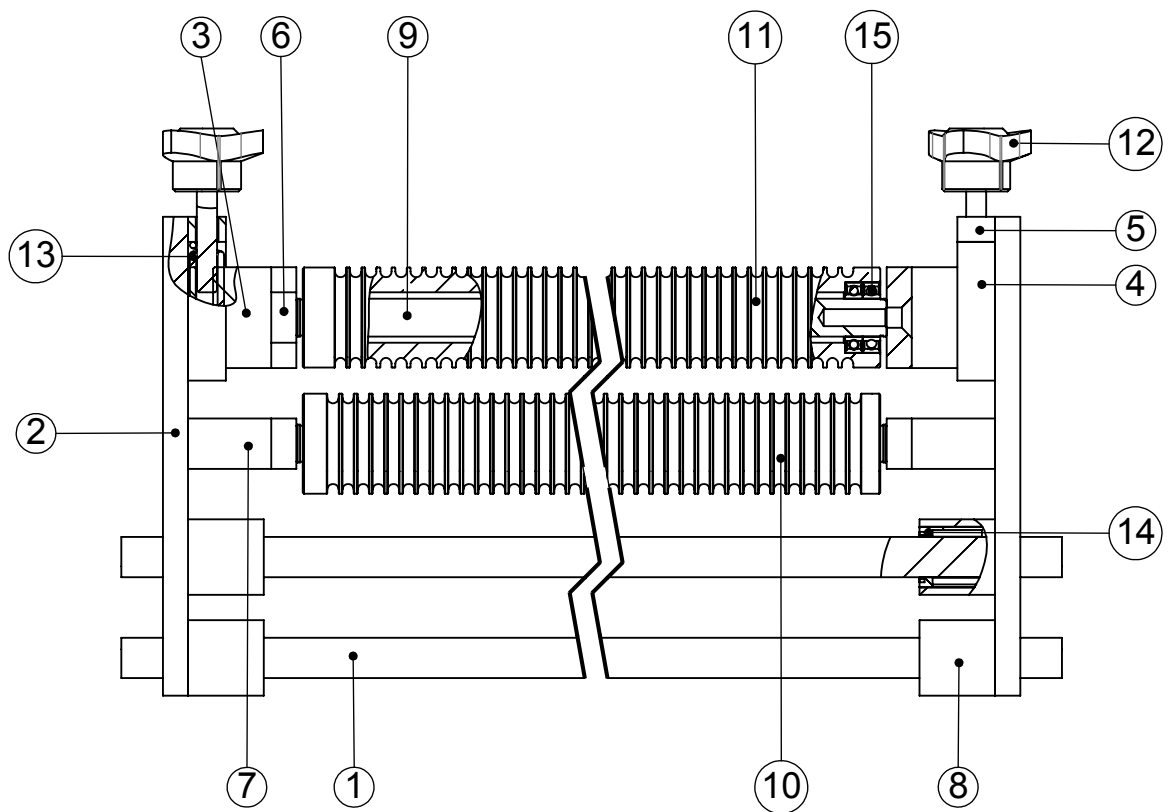


③  
B051214  
Inlet middle

①  
B050828  
Shafts front

Pos.	Pcs.	Order number	Description	Cat.
1	1	B050828	Shafts front	S. 7
2	1	B050829	Shafts behind	S. 8
3	1	B051214	Inlet middle	S. 9

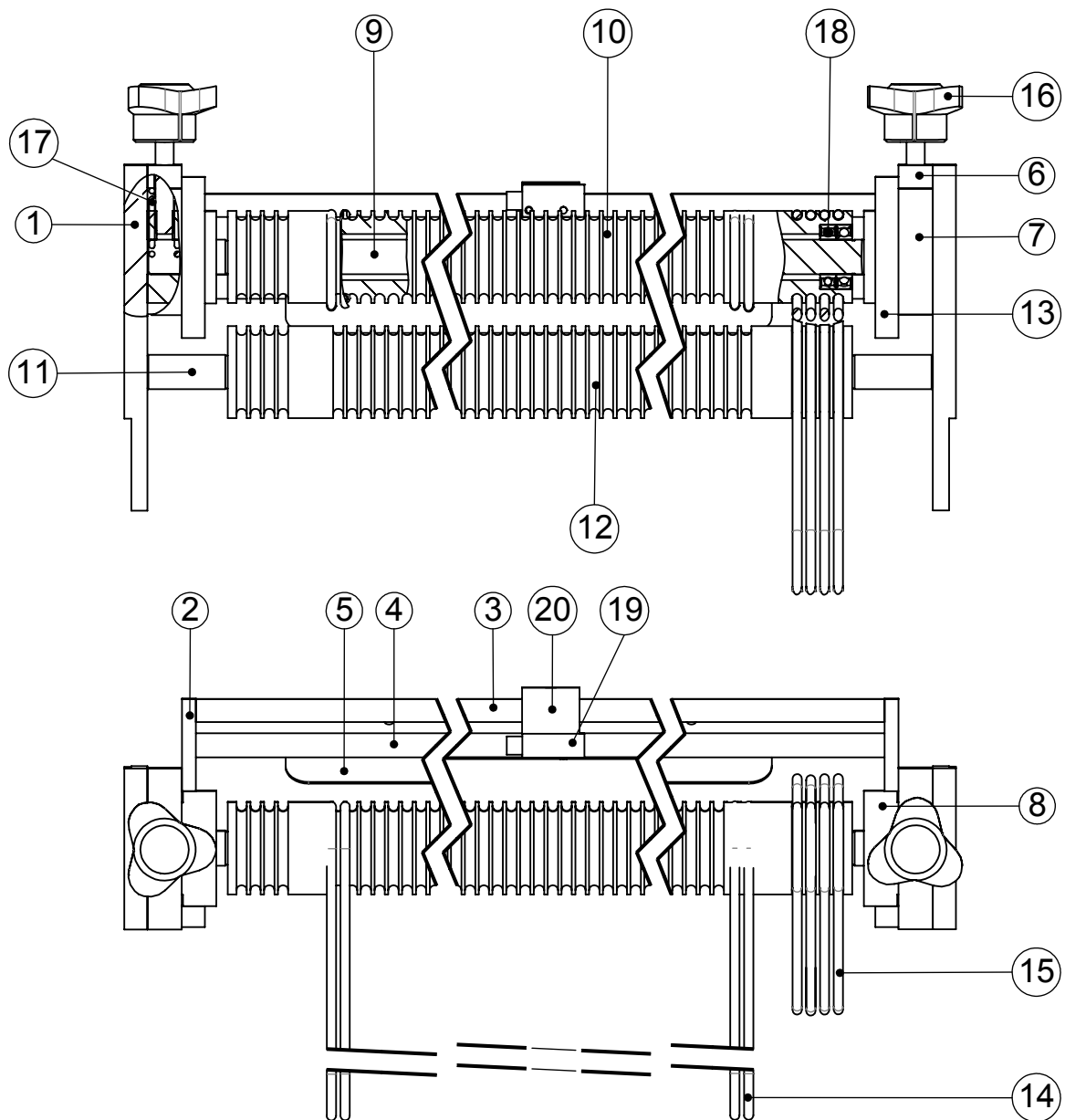
Inlet  
SAB 550



Pos	Pcs.	Order number	Description	Cat.	Pos	Pcs.	Order number	Description	Cat.
1	2	E050841	Guide rods inlet	C	9	3	E050842	Roll axle front	C
2	2	E050151	Plate front	C	10	1	E050843	Belt rollers inlet front bottom	C
3	2	E050152	Bearing hub front	C	11	1	E050844	Belt rollers inlet front above	C
4	4	E050153	Guide	C	12	2	A050234	Triangle grip M8x40	C
5	2	E050154	Cover plate	C	13	2	A050239	Compression spring	C
6	2	E050155	Extension above	C	14	4	A050242	Linear spherical bushings LBBRC	C
7	2	E050156	Extension bottom	C	15	8	A050244	Ball bearing 61902.2Z	C
8	4	E050157	Guide block inlet	C					

## Shafts front

SAB 550

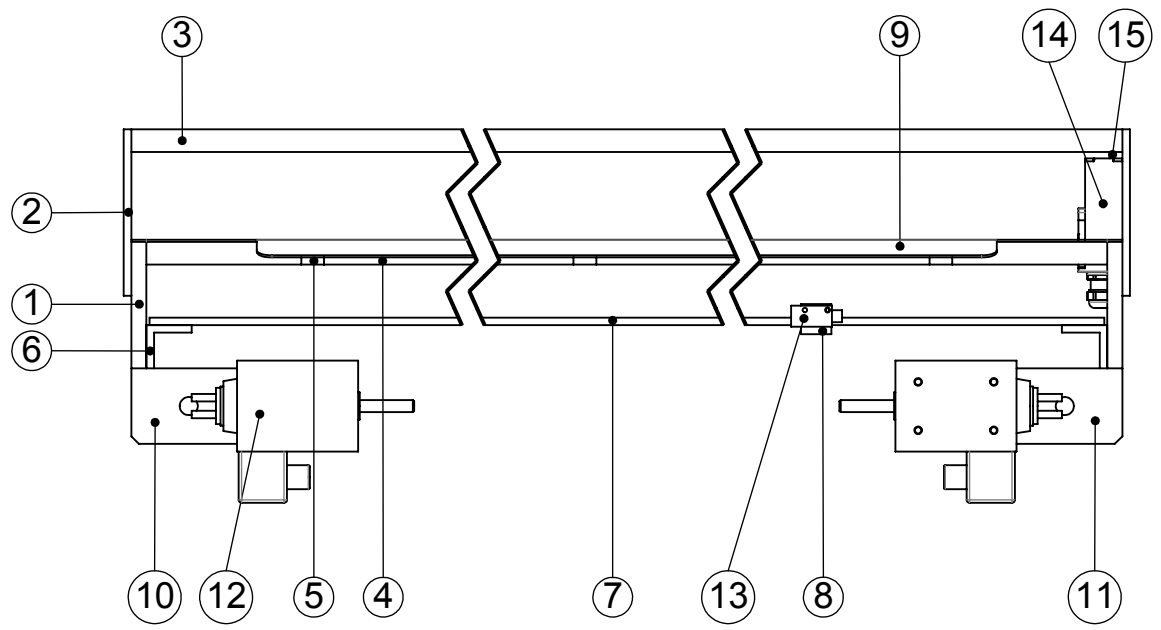


Pos	Pcs.	Order number	Description	Cat.	Pos	Pcs.	Order number	Description	Cat.
1	2	E050089	Plate behind	C	11	1	E050850	Roll axle behind	C
2	2	E050107	Plate	C	12	1	E050851	Belt rollers inlet behind bottom	C
3	1	E050845	Holder for light sensor	C	13	2	E050182	Stop	C
4	1	E050846	Holder	C	14	4	A050208	Round belts	A
5	1	E050847	Cover sheet	C	15	4	A050207	Round belts	A
6	2	E050154	Cover plate	C	16	2	A050234	Triangle grip M8x40	C
7	4	E050153	Guide	C	17	2	A050239	Compression spring	C
8	2	E050161	Bearing hub behind	C	18	8	A050244	Ball bearing 61902.2Z	C
9	1	E050848	Roll axle behind	C	19	1	A050252	Light sensor	A
10	1	E050849	Belt rollers inlet behind above	C	20	1	E050253	Holder for light sensor	C

## Shafts behind

SAB 550



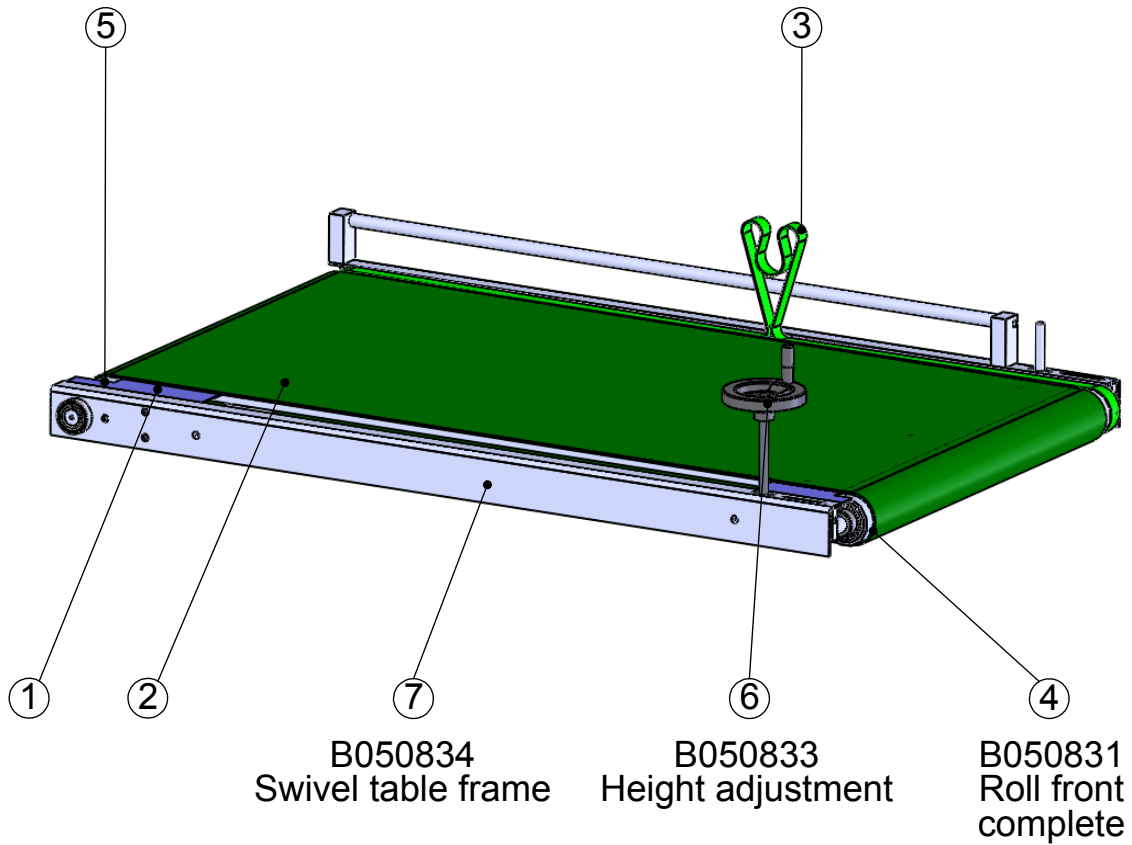


Pos.	Pcs.	Order number	Description	Cat.	Pos.	Pcs.	Order number	Description	Cat.
1	4	E050098	Plate	C	9	1	E050855	Round belt support sheet	C
2	2	E050099	Side plate	C	10	1	E050090	Magnet holder left	C
3	1	E050852	Traverse	C	11	1	E050091	Magnet holder right	C
4	2	E050853	Rod inlet	C	12	2	A050248	Single stroke economy magnet	C
5	3	E050102	Support for photo sheet	C	13	1	A050252	Light sensor	A
6	2	E050103	Angle	C	14	1	A012049	Safety switch	C
7	1	E050854	Rail for light sensor	C	15	1	A021110	Actuator for Sick i12	C
8	1	E050105	Holder for light sensor	C					

## Inlet middle

SAB 550

B050832  
Roll behind  
complete



B050834  
Swivel table frame

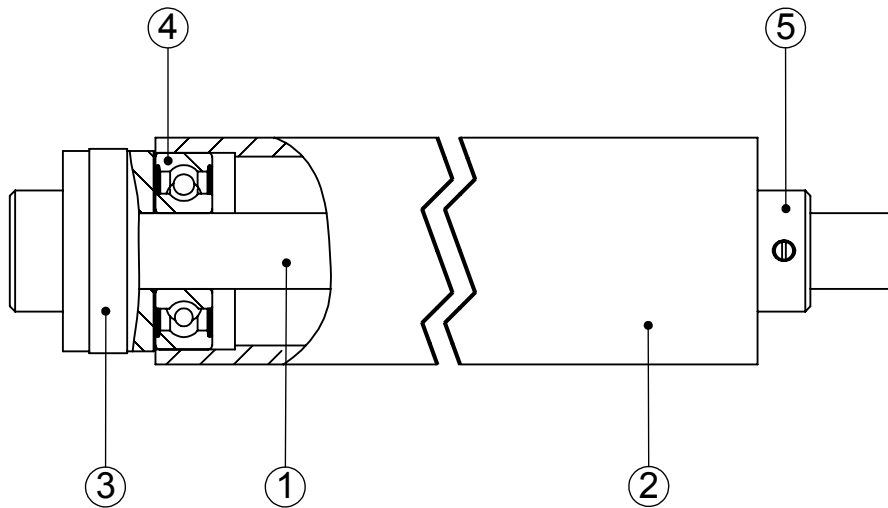
B050833  
Height adjustment

B050831  
Roll front  
complete

Pos.	Pcs.	Order number	Description	Cat.
1	1	E050856	Table plate	C
2	1	E050857	Belt carpet	C
3	1	A050204	Transport belts	A
4	1	B050831	Roll front complete	S. 11
5	1	B050832	Roll behind complete	S. 12
6	1	B050833	Height adjustment	S. 13
7	1	B050834	Swivel table frame	S. 14

## Swivel table

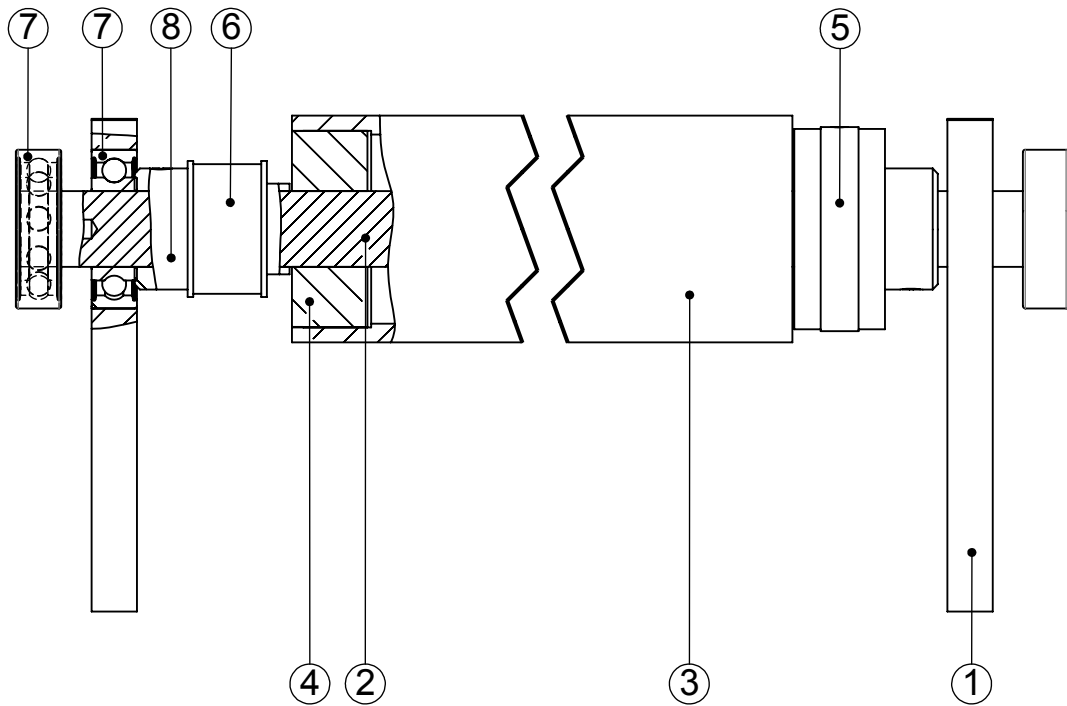
SAB 550



Pos.	Pcs.	Order number	Description	Cat.
1	1	E050858	Axis front	C
2	1	E050859	Roll	C
3	1	E050181	Drove roll	C
4	2	A050245	Ball bearing 6304.2ZR	C
5	2	A050247	Adjusting ring	C

## Roll front complete

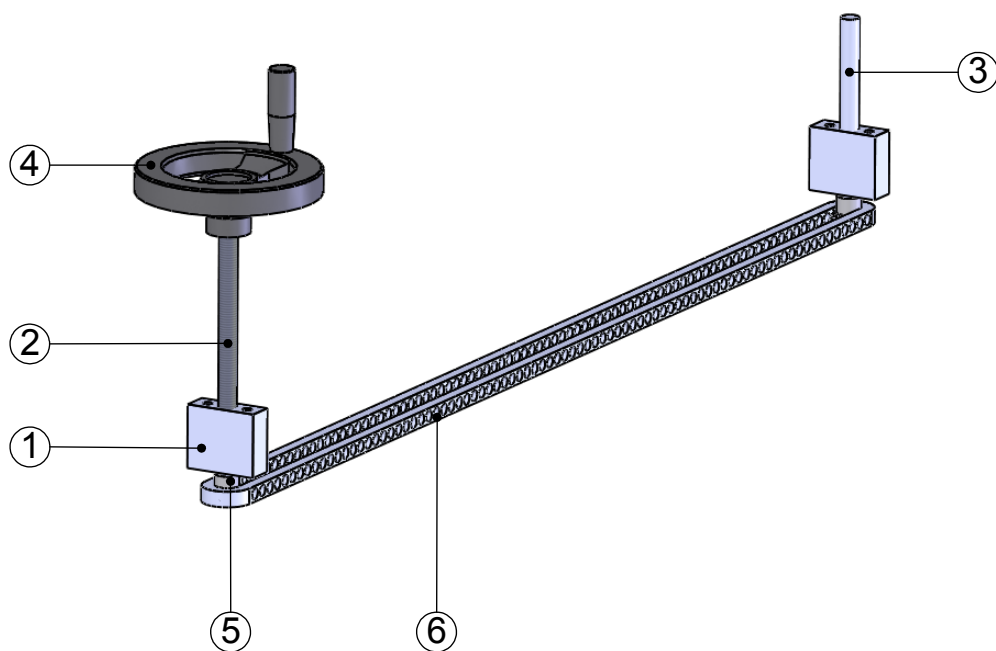
SAB 550



Pos	Pcs.	Order number	Description	Cat.
1	2	E050113	Bearing plate	C
2	1	E050860	Axis behind	C
3	1	E050859	Roll	C
4	2	E050130	Element	C
5	1	E050181	Drive roll	C
6	1	A050220	Toothed belt washer	C
7	4	A050243	Ball bearing 6004.2ZR	C
8	2	A050247	Adjusting ring	C

## Roll behind complete

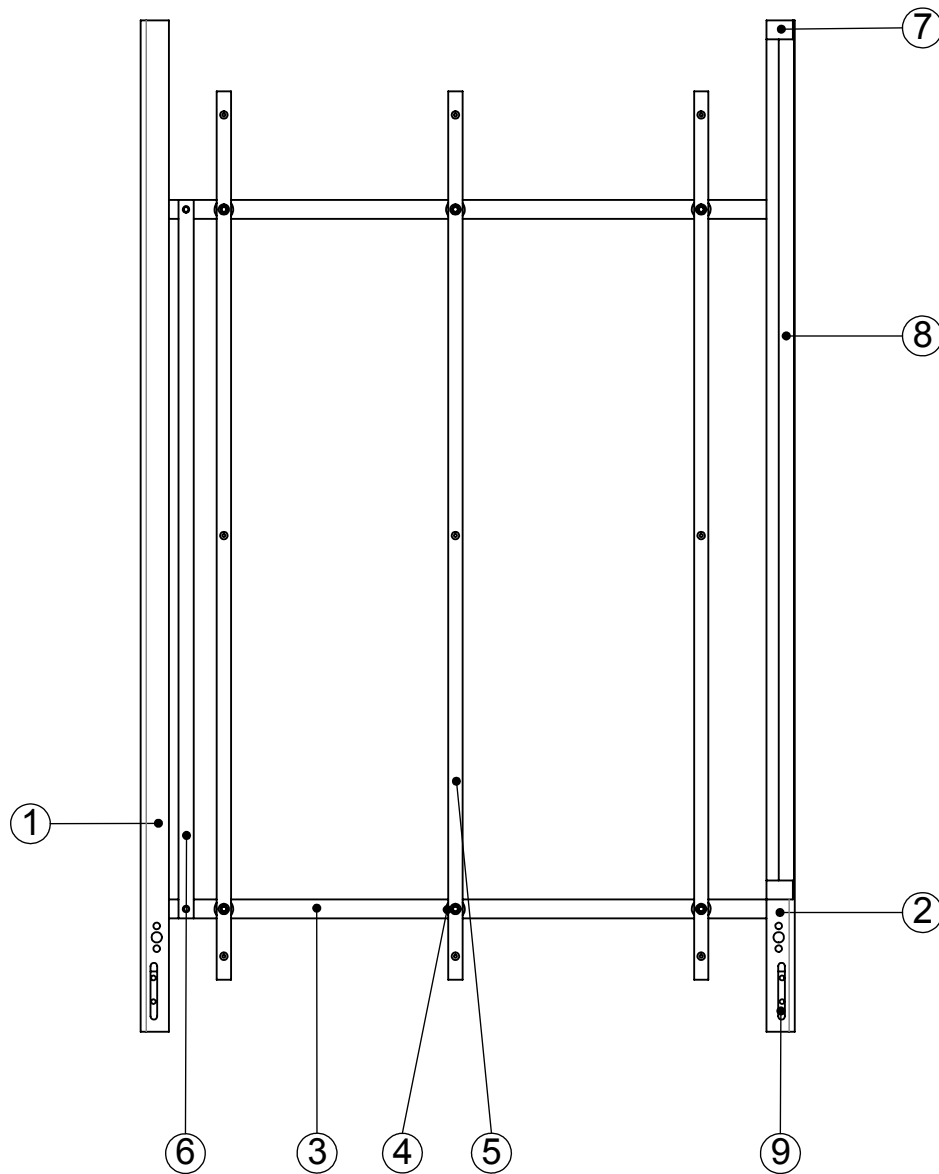
SAB 550



Pos	Pcs.	Order number	Description	Cat.
1	2	E050123	Block for height adjustment	C
2	1	E050124	Spindle control side	C
3	1	E050125	Spindle behind	C
4	1	A050233	Crossing handwheel	C
5	2	A050235	Chain wheel	C
6	1	A050861	Roller chain	C

## Height adjustment

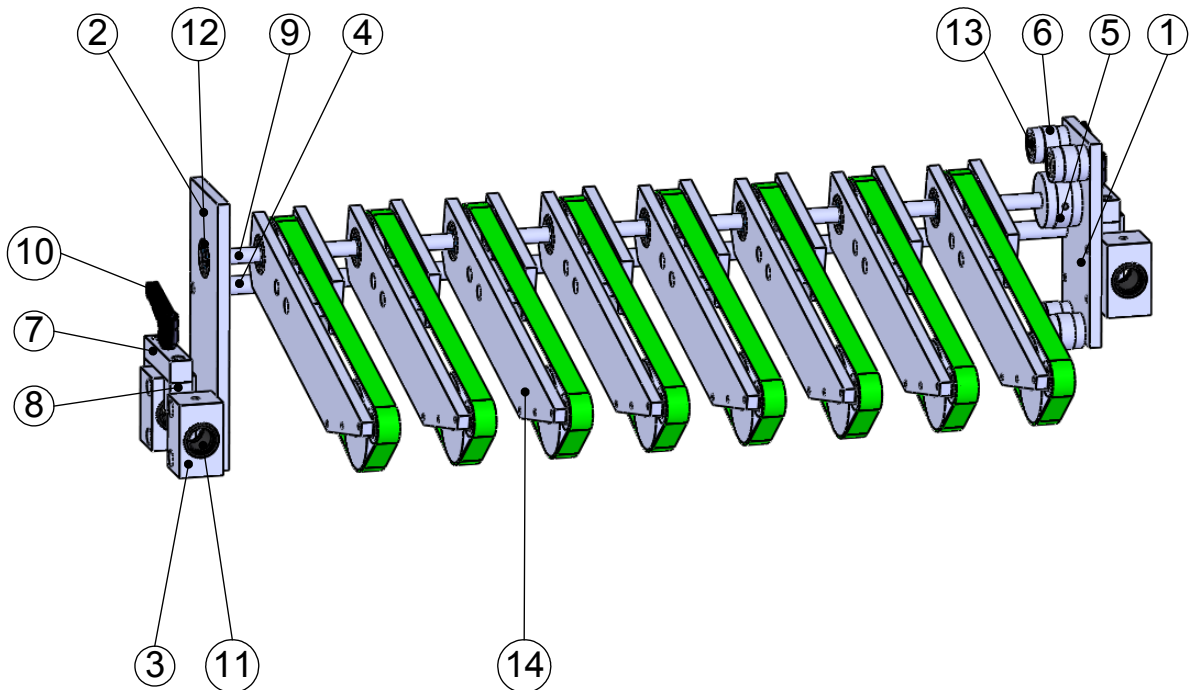
SAB 550



Pos.	Pcs.	Order number	Description	Cat.
1	1	E050111	Profil slewable control side	C
2	1	E050112	Profil slewable	C
3	2	E050862	Rod	C
4	6	E050118	Spacer	C
5	3	E050119	Lengthwise rod	C
6	1	E050120	Running rod control side	C
7	2	E050121	Holding block	C
8	1	E050122	Running rod	C
9	2	E050126	Clamping plate	C

## Swivel table frame

SAB 550



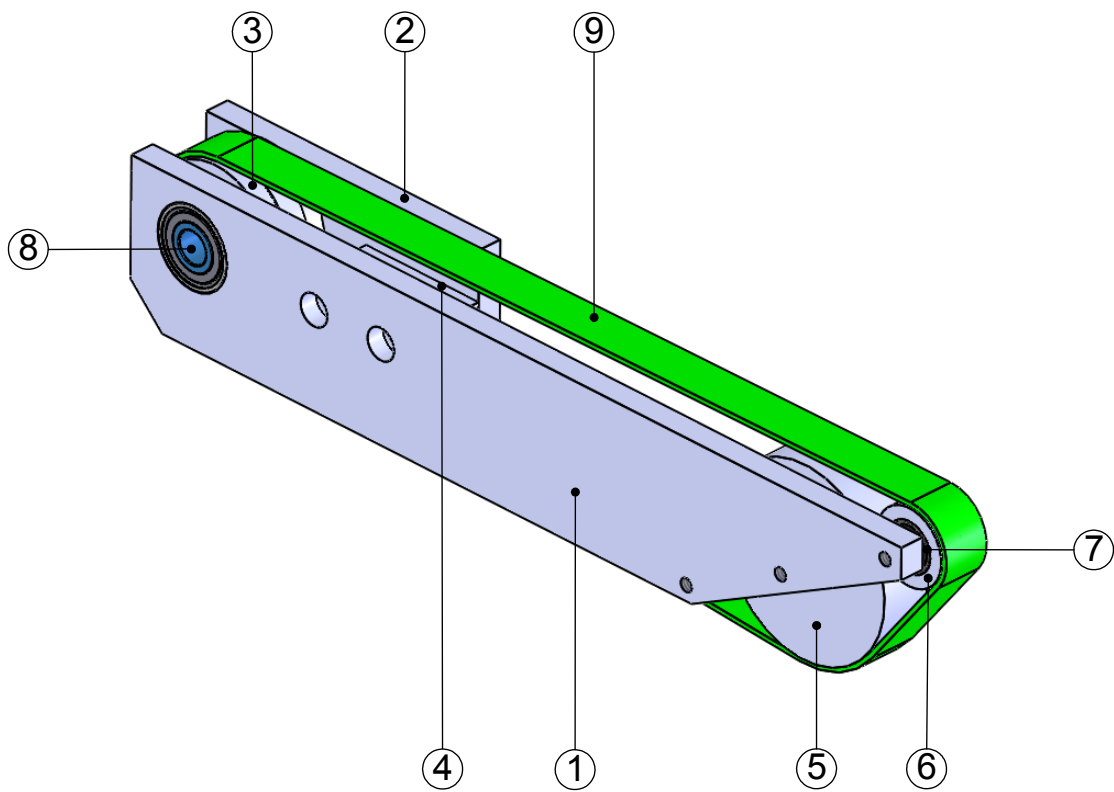
B050206  
Scaling offset

Pos.	Pcs.	Order number	Description	Cat.	Pos.	Pcs.	Order number	Description	Cat.
1	1	E050132	Plate	C	8	4	E050140	Brake part	C
2	1	E050133	Plate control side	C	9	1	E050864	Drive shaft	C
3	4	E050134	Bearing block	C	10	2	A050176	Clamping lever	C
4	1	E050863	Connection rod	C	11	4	A050242	Linear spherical bushings LBBR	C
5	1	E050136	Drive roll	C	12	2	A050149	Ball bearing 6000.2Z	C
6	4	E050137	Deflection roll	C	13	4	A050246	Ball bearing 625.2Z	C
7	2	E050139	Brake block	C	14	8	B050206	Scaling offset	

S. 16

## Scaling offset complete

SAB 550

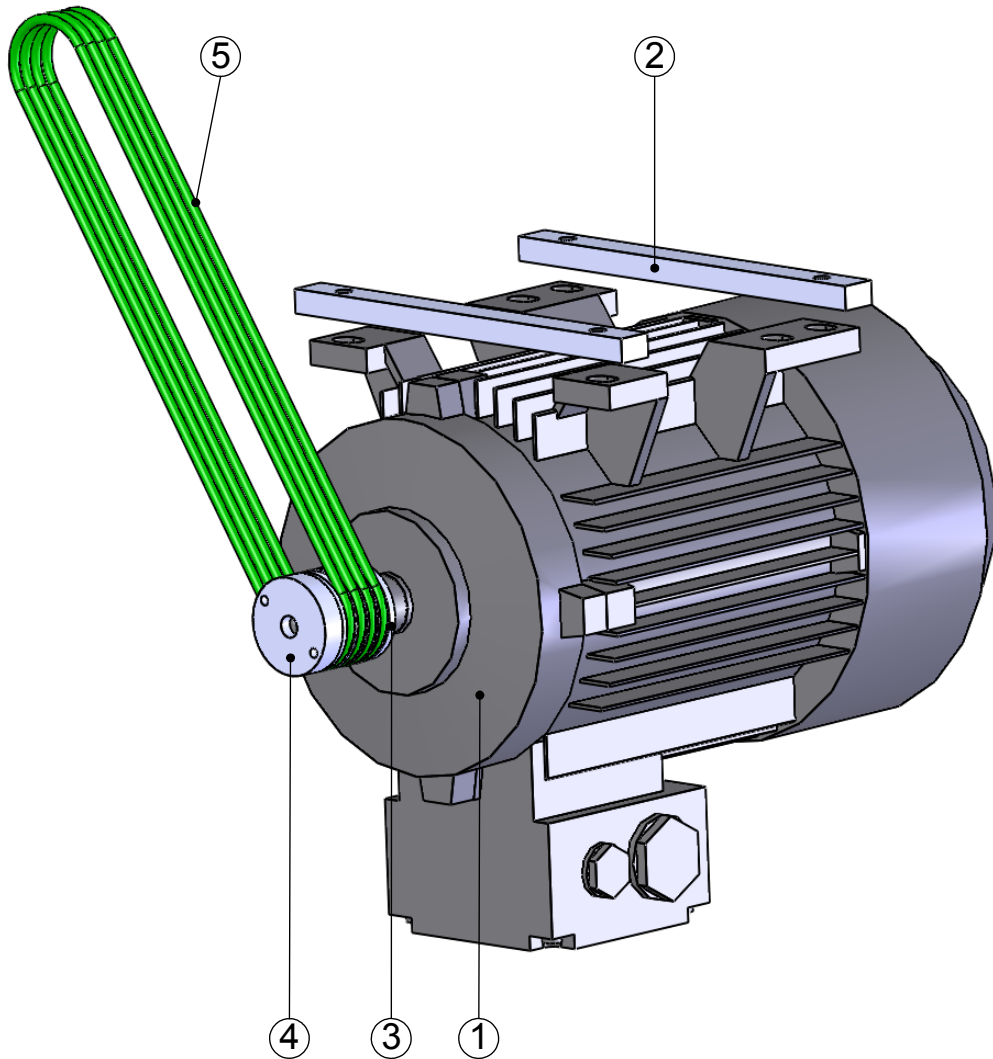


Pos	Pcs.	Order number	Description	Cat.
1	1	E050142	Plate large	C
2	1	E050143	Plate small	C
3	1	E050144	Drive roll	C
4	1	E050145	Connection	C
5	1	E050146	Roll large	C
6	1	E050147	Roll small	C
7	4	A050148	Ball bearing 625.2Z	C
8	2	A050149	Ball bearing 6000.2Z	C
9	1	A050205	Transport belts	A

## Scaling offset

SAB 550

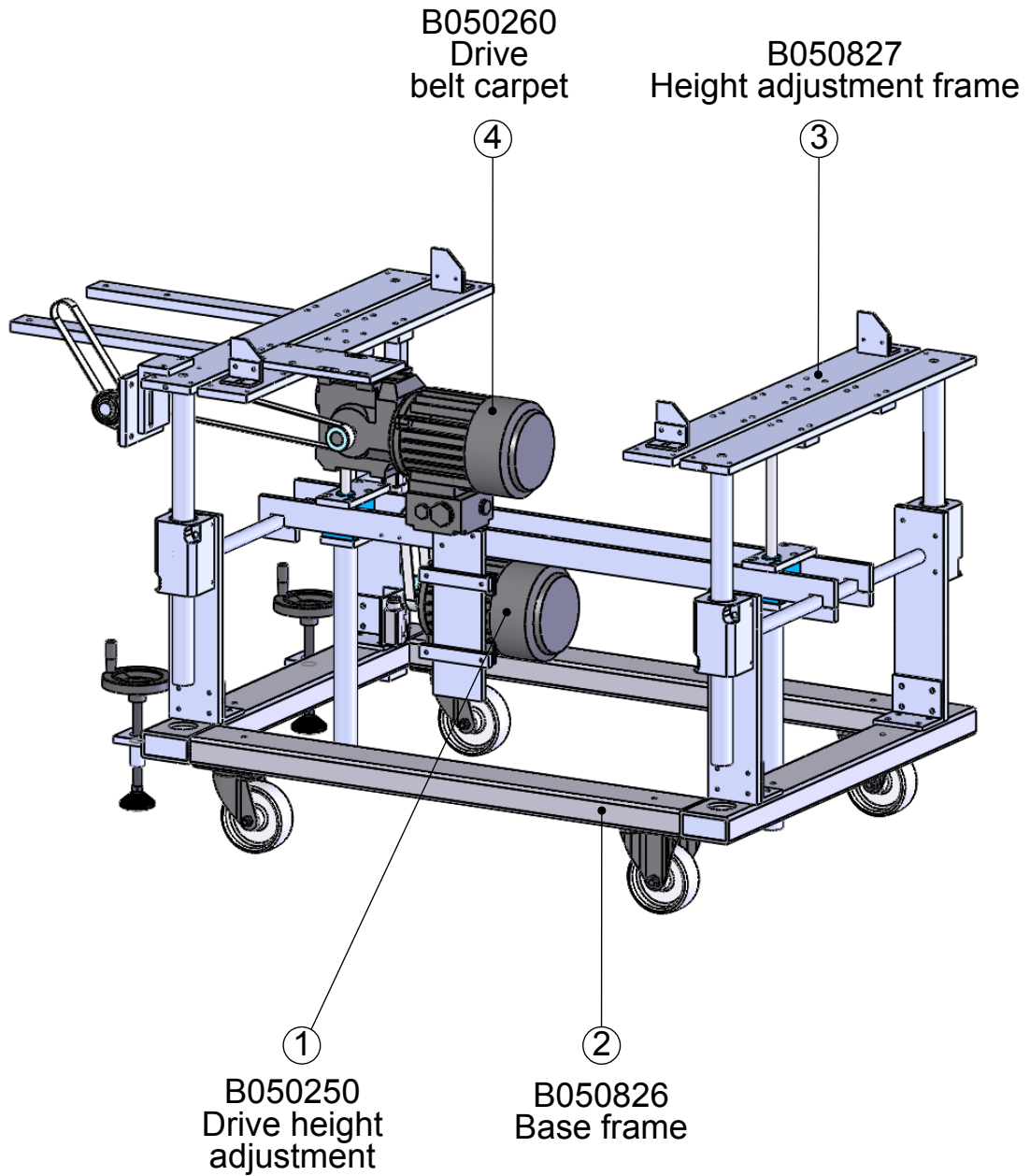




Pos	Pcs.	Order number	Description	Cat.
1	1	A050212	AC motor	C
2	2	E050215	Motor fixing	C
3	1	E050217	Motor disc	C
4	1	E050218	Fixing disc pulley	C
5	4	A050219	Round belts	A

## Drive

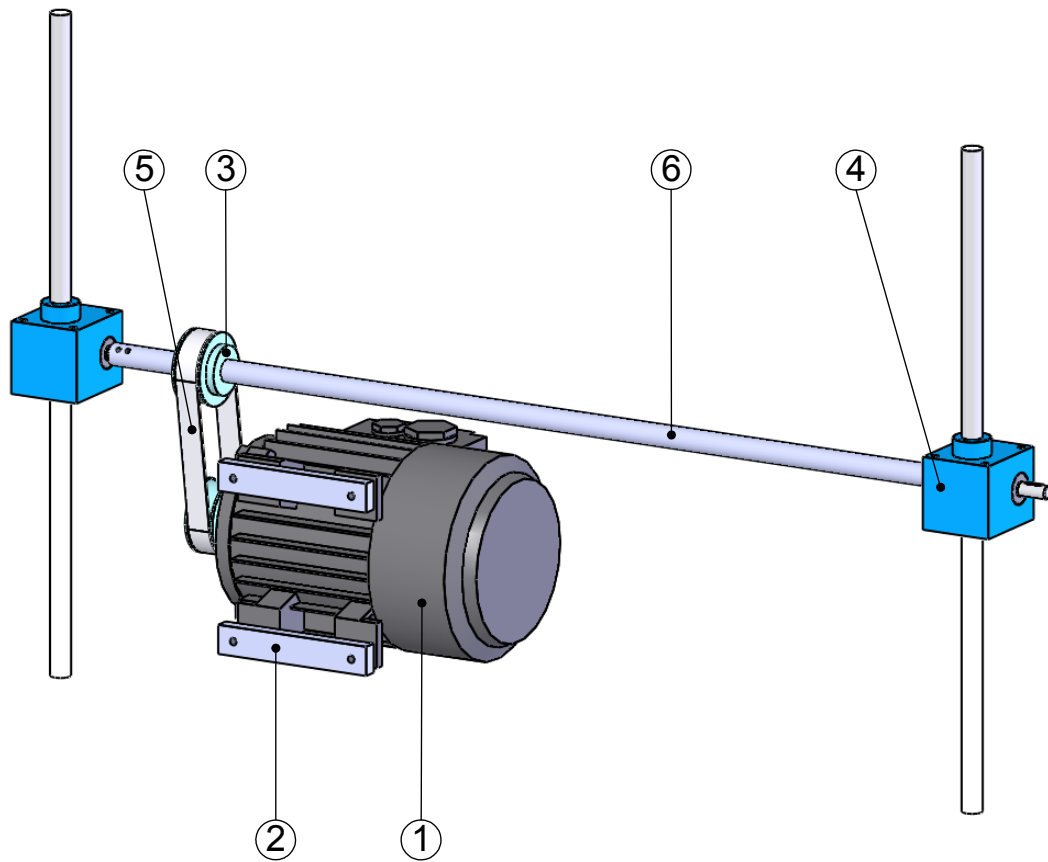
SAB 550



Pos.	Pcs.	Order number	Description	Cat.
1	1	B050250	Drive height adjustment	S. 19
2	1	B050826	Base frame	S. 20
3	1	B050827	Height adjustment frame	S. 21
4	1	B050260	Drive belt carpet	S. 22

Under construction

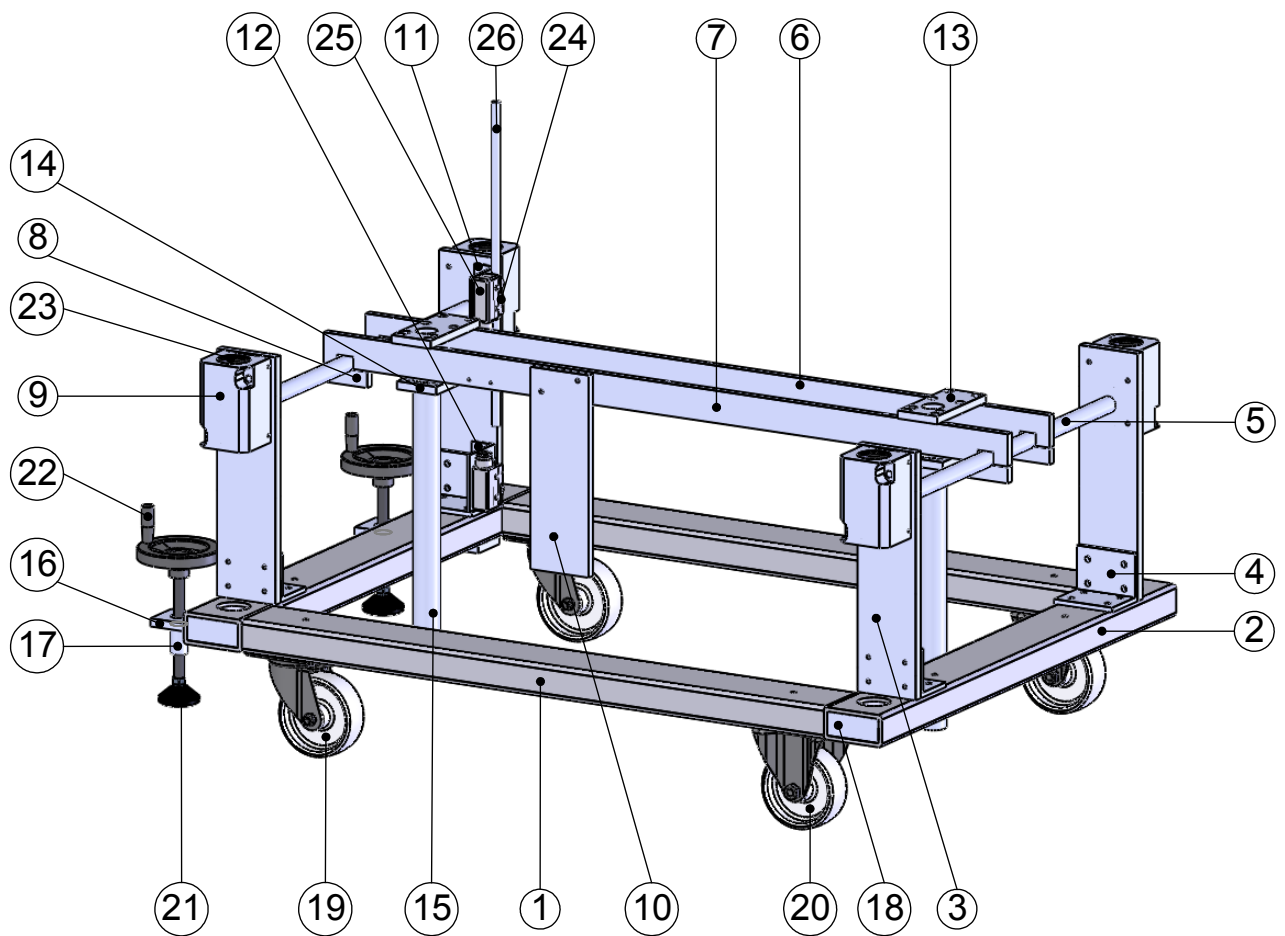
SAB 550



Pos.	Pcs.	Order number	Description	Cat.
1	1	A050213	AC motor	C
2	2	E050214	Motor fixing	C
3	2	A050222	Toothed belt washer	C
4	2	A050224	Spindle lifting element	C
5	1	A050225	Toothed belt	A
6	1	E050221	Drive shaft	C

## Drive height adjustment

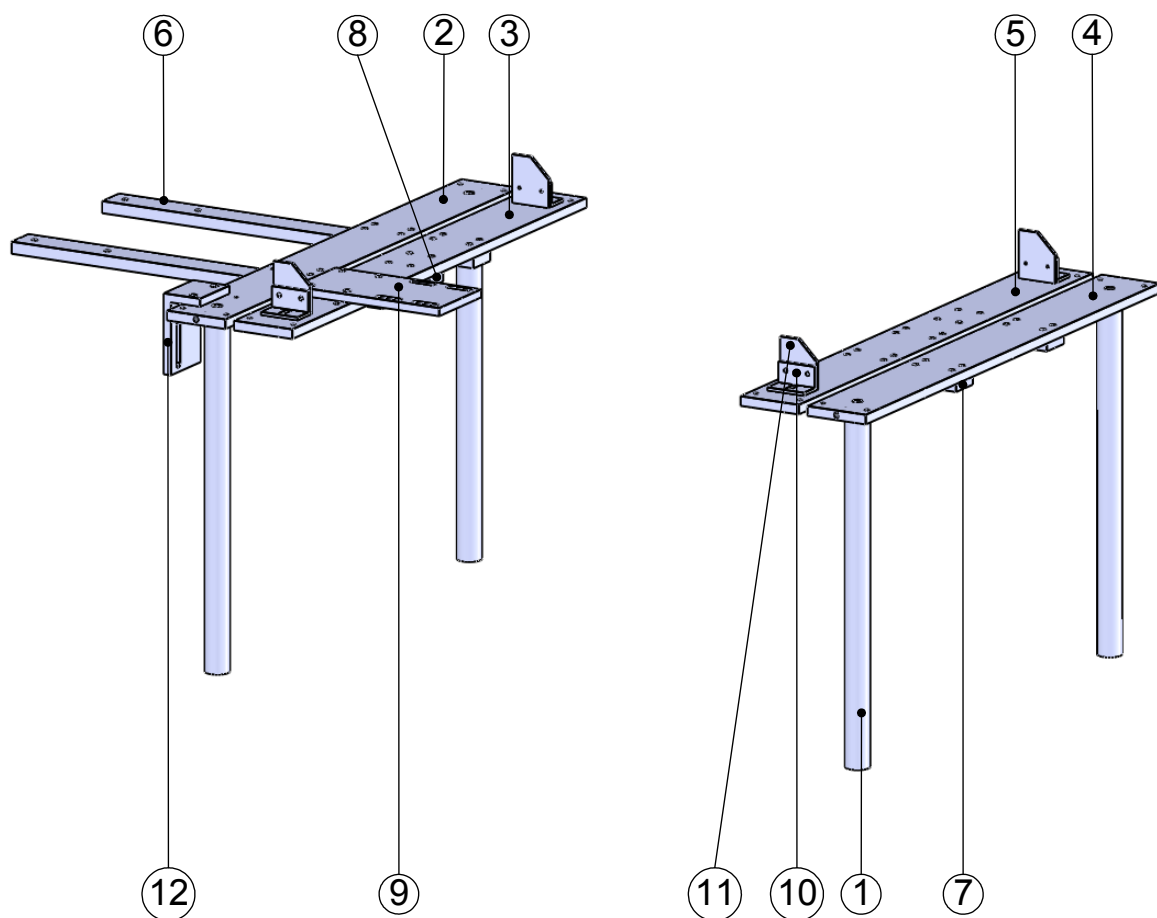
SAB 550



Pos.	Pcs.	Order number	Description	Cat.	Pos.	Pcs.	Order number	Description	Cat.
1	2	E050051	Frame part long	C	14	2	E050072	Securing plates protective pipe	C
2	2	E050865	Frame part short	C	15	2	E050073	Protective pipe	C
3	4	E050053	Plate	C	16	2	E050074	Plate for adjustable feet	C
4	4	E050054	Angle	C	17	2	E050075	Pipe for adjustable feet	C
5	2	E050866	Stabilisation	C	18	4	E050177	Weld plate	C
6	1	E050056	Hanging behind	C	19	2	A050230	Steering roller	C
7	1	E050057	Hanging front	C	20	2	A050231	Fixed roller	C
8	4	E050058	Bracket	C	21	2	A050232	Hinged foot	C
9	4	E050059	Height adjustment	C	22	2	A050233	Crossing handwheel	C
10	1	E050061	Motor plate	C	23	8	A050240	Linear speical bushings LBBR	C
11	1	E050066	Angle for end switch above	C	24	2	A014341	Precision switch Omron	C
12	1	E050067	Angle for end switch bottom	C	25	2	A020214	Precision switch housing Omron	C
13	2	E050069	Securing plates	C	26	1	E050251	Rod for height limiting	C

## Base frame

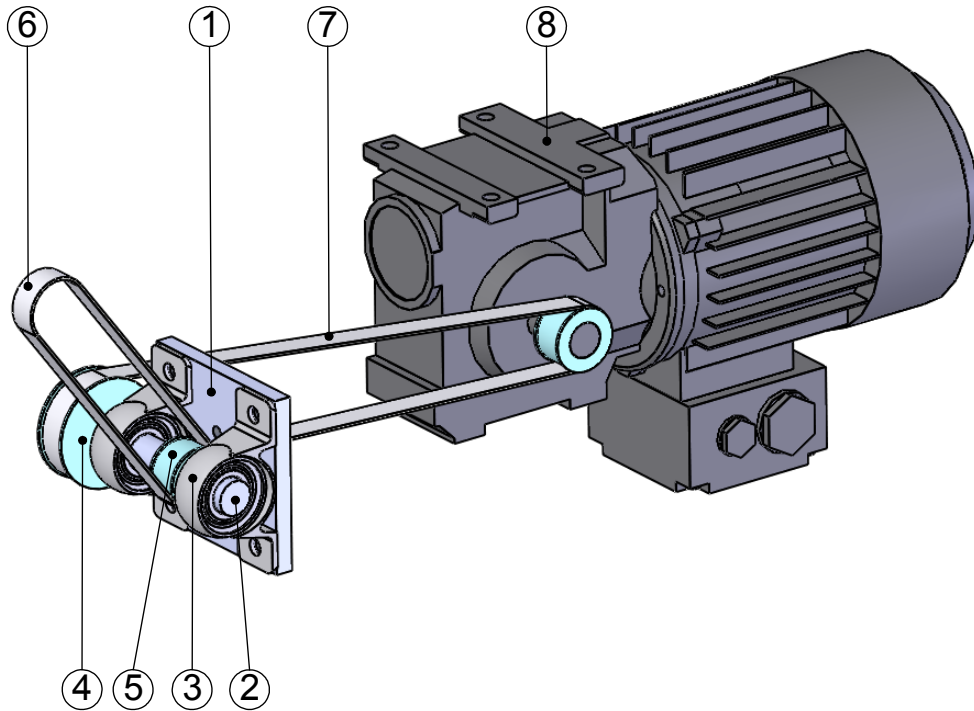
SAB 550



Pos.	Pcs.	Order number	Description	Cat.	Pos.	Pcs.	Order number	Description	Cat.
1	4	E050060	Column	C	7	2	E050081	Support plate	C
2	1	E050867	Mounting plate	C	8	2	E050082	Securing plates	C
3	1	E050868	Middle plate left	C	9	1	E050083	Motor plate	C
4	1	E050869	Mounting plate right	C	10	4	E050087	Angle for belt feed	C
5	1	E050870	Middle plate right	C	11	4	E050088	Belt feed	C
6	2	E050080	Support plate for switch cabinet	C	12	1	E050174	Angle	C

## Height adjustment frame

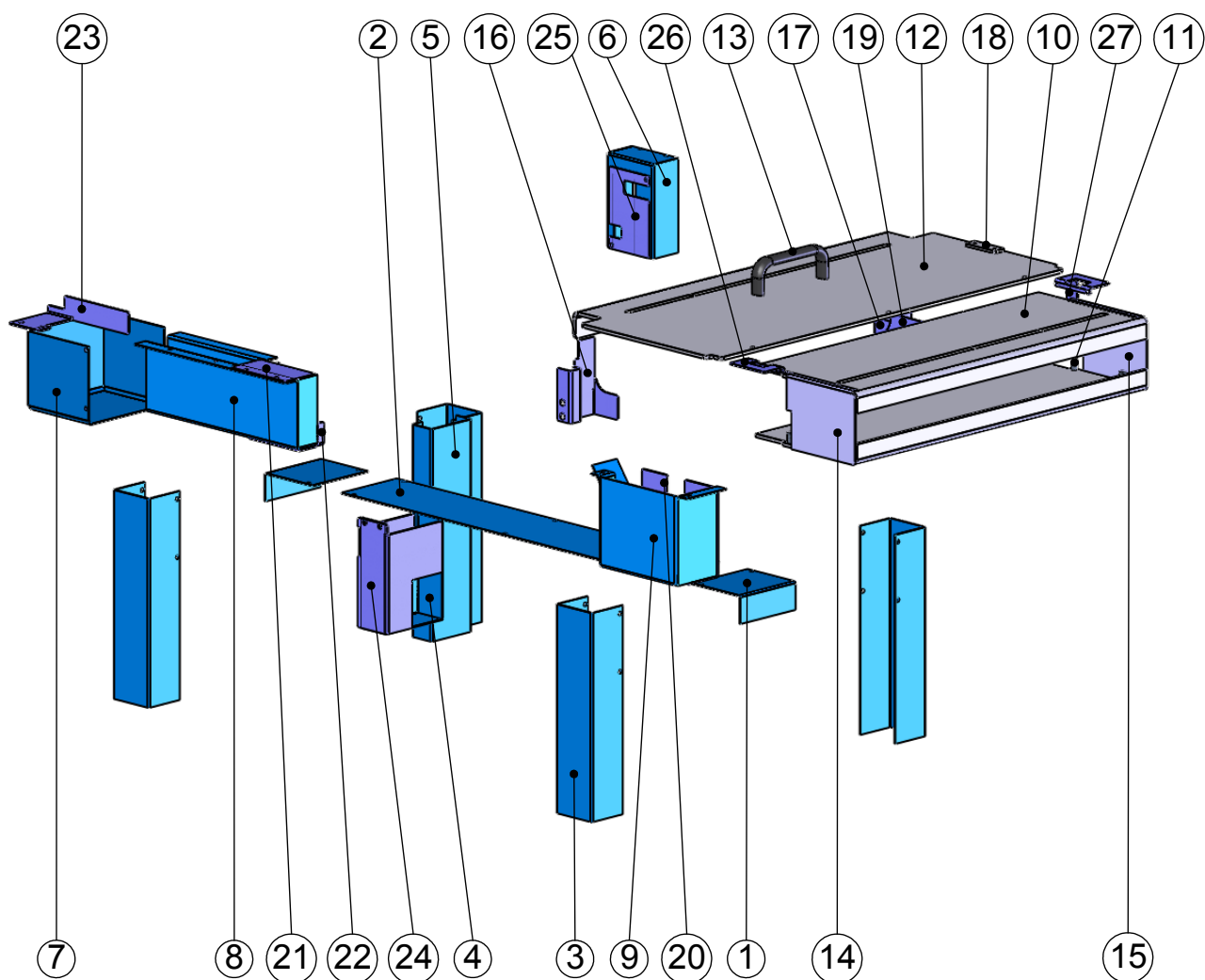
SAB 550



Pos.	Pcs.	Order number	Description	Cat.
1	1	E050175	Bearing plate	C
2	1	E050178	Shaft	C
3	2	A050179	Y-Pillow block	C
4	1	A050223	Toothed belt washer	C
5	2	A050220	Toothed belt washer	C
6	1	A050226	Toothed belt	A
7	1	A050229	Toothed belt	A
8	1	B050261	Gear motor	C

## Drive belt carpet

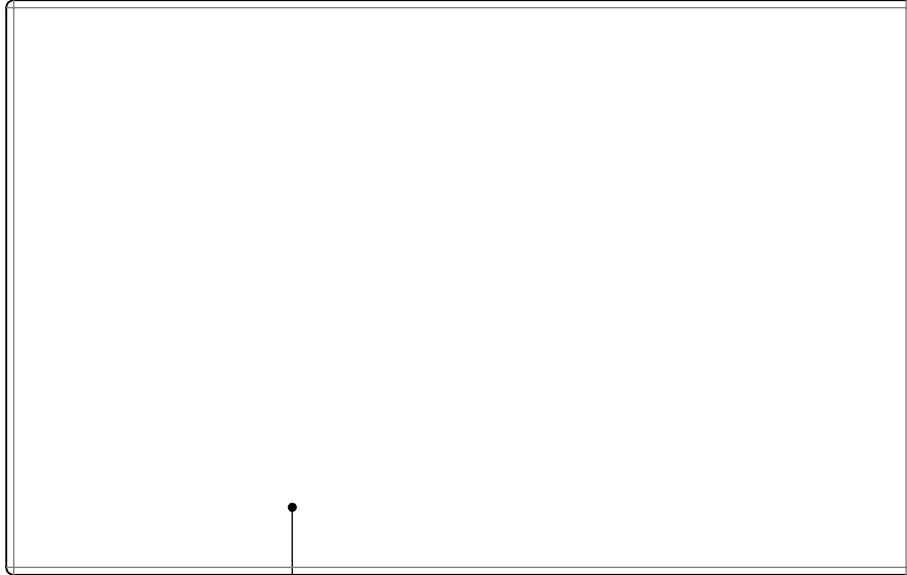
SAB 550



Pos.	Pcs.	Order number	Description	Cat.	Pos.	Pcs.	Order number	Description	Cat.
1	2	E050062	Cover height adjustment	C	15	1	E016306	Inlet covering back side	C
2	1	E050063	Cover height adjustment middle	C	16	1	E016307	Round belt covering operating side	C
3	4	E050064	U-Profile	C	17	1	E016308	Round belt covering behind	C
4	1	E050065	Cover height adjustment drive	C	18	1	E051287	Clamping plate	C
5	1	E050068	Cover position switch	C	19	1	E051288	Round belts covering	C
6	1	E050138	Cover transport belt	C	20	1	E051289	Motor covering	C
7	1	E050172	Cover belt carpet drive	C	21	1	E051290	Motor covering belt drive 1	C
8	1	E050173	Cover toothed belt	C	22	1	E051291	Motor covering belt drive 2	C
9	1	E050183	Cover round belt	C	23	1	E051292	Motor covering belt drive 3	C
10	2	E050871	Cover	C	24	1	E051293	Motor covering height adjustment	C
11	4	E040173	Spacer	C	25	1	E051294	S - covering	C
12	1	E050872	Cover round belt	C	26	2	E051295	Adjusting screw covering	C
13	1	A050193	Handle	C	27	1	E051296	Support plate	C
14	1	E016305	Inlet covering operating side	C					

## Coverings

SAB 550



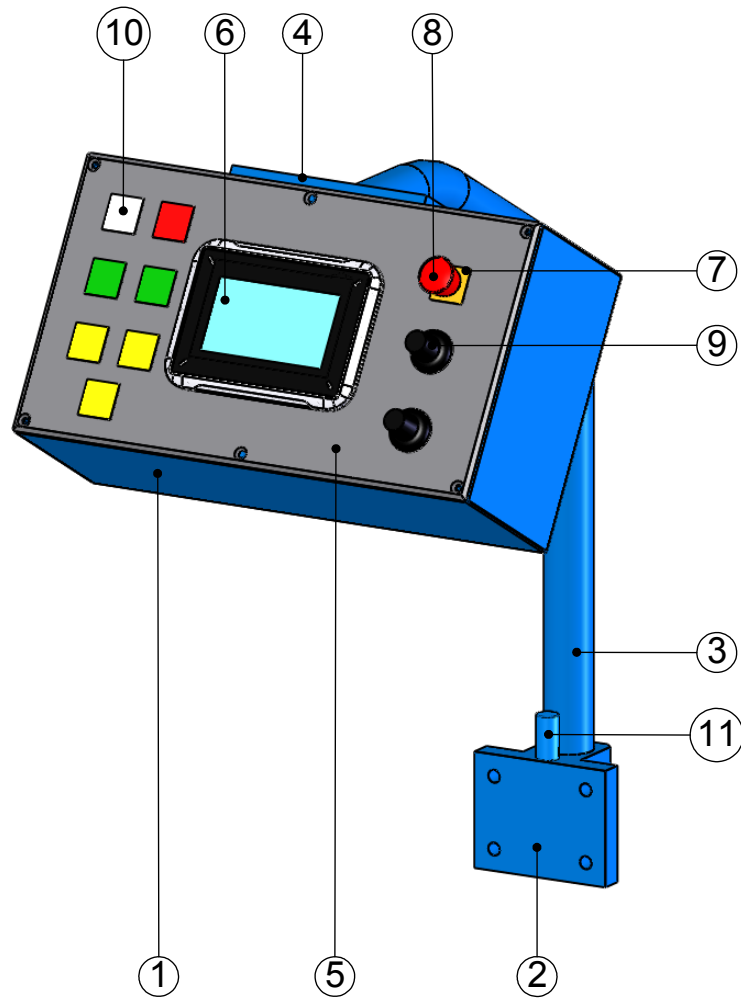
①

Pos	Pcs.	Order number	Description	Cat.
1	1	E050195	Switch cabinet	C

## Switch cabinet

SAB 550





Pos	Pcs.	Order number	Description	Cat.	Pos	Pcs.	Order number	Description	Cat.
1	1	E050184	Control console	C	7	1	A050189	Emergency stop sign	C
2	1	E050185	Receiving block	C	8	1	A050190	Emergency stop switch	C
3	1	E050186	Display pipe holder	C	9	2	A040490	Potentiometer	C
4	1	E050187	Sealing plate display	C	10	7	A050191	Illuminated pushbutton	C
5	1	E050719	Tableau	C	11	1	E050194	Stop bolt	C
6	1	A050772	Display	C					

## Display + holder

SAB 550

## Replacement part list SAB 550

Pos.	Pcs.	Order number	Description	Cat.
1	1	E050084	Basic profile front	C
2	1	E050085	Basic profile behind	C
3	2	E050092	Support depot board	C
4	1	E050835	End angle	C
5	1	E050836	Protective angle	C
6	2	E050096	Bearing bolts	C
7	2	E050097	Deflection roll	C
8	1	E050837	Traverse	C
9	2	E050180	Outer bearing plate	C
10	12	E050196	Spacing ring	C
11	1	E050838	Wood plate	C
12	1	E050839	Rubber	C
13	2	E050840	Motor suspension inlet	C
14	20	A050244	Ball bearing 61902.2Z	C
15	2	E050841	Guide rods inlet	C
16	2	E050151	Plate front	C
17	2	E050152	Bearing hub front	C
18	8	E050153	Guide	C
19	4	E050154	Cover plate	C
20	2	E050155	Extension above	C
21	2	E050156	Extension bottom	C
22	4	E050157	Guide block inlet	C
23	3	E050842	Roll axle front	C
24	1	E050843	Belt rollers inlet front bottom	C
25	1	E050844	Belt rollers inlet front above	C
26	4	A050234	Triangle grip M8x40	C
27	4	A050239	Compression spring	C
28	8	A050242	Linear spherical bushings LBBR 16.2L	C
29	2	E050089	Plate behind	C
30	2	E050107	Plate	C
31	1	E050845	Holder for light sensor	C
32	1	E050846	Holder	C
33	1	E050847	Cover sheet	C
34	2	E050161	Bearing hub behind	C
35	1	E050848	Roll axle behind	C
36	1	E050849	Belt rollers inlet behind above	C
37	1	E050850	Roll axle behind	C
38	1	E050851	Belt rollers inlet behind bottom	C
39	2	E050182	Stop	C
40	4	A050208	Round belts	A
41	4	A050207	Round belts	A
42	2	A050252	Light sensor	A
43	1	E050253	Holder for light sensor	C
44	4	E050098	Plate	C
45	2	E050099	Side plate	C
46	1	E050852	Traverse	C
47	2	E050853	Rod inlet	C
48	3	E050102	Support for photo sheet	C

## Replacement part list SAB 550

Pos.	Pcs.	Order number	Description	Cat.
49	2	E050103	Angle	C
50	1	E050854	Rail for light sensor	C
51	1	E050105	Holder for light sensor	C
52	1	E050855	Round belt support sheet	C
53	1	E050090	Magnet holder left	C
54	1	E050091	Magnet holder right	C
55	2	A050248	Single stroke economy magnet	C
56	1	A012049	Safety switch	C
57	1	A021110	Actuator for Sick i12	C
58	1	E050856	Table plate	C
59	1	E050857	Belt carpet	C
60	1	A050204	Transport belts	A
61	1	E050858	Axis front	C
62	2	E050859	Roll	C
63	2	E050181	Drive roll	C
64	2	A050245	Ball bearing 6304.2ZR	C
65	4	A050247	Adjusting ring	C
66	2	E050113	Bearing plate	C
67	1	E050860	Axis behind	C
68	2	E050130	Element	C
69	3	A050220	Toothed belt washer	C
70	4	A050243	Ball bearing 6004.2ZR	C
71	2	E050123	Block for height adjustment	C
72	1	E050124	Spindle control side	C
73	1	E050125	Spindle behind	C
74	3	A050233	Crossing handwheel	C
75	2	A050235	Chain wheel	C
76	1	A050861	Roller chain	C
77	1	E050111	Profil slewable control side	C
78	1	E050112	Profil slewable	C
79	2	E050862	Rod	C
80	6	E050118	Spacer	C
81	3	E050119	Lengthwise rod	C
82	1	E050120	Running rod control side	C
83	2	E050121	Holding block	C
84	1	E050122	Running rod	C
85	2	E050126	Clamping plate	C
86	1	E050132	Plate	C
87	1	E050133	Plate control side	C
88	4	E050134	Bearing block	C
89	1	E050863	Connection rod	C
90	1	E050136	Drive roll	C
91	4	E050137	Deflection roll	C
92	2	E050139	Brake block	C
93	4	E050140	Brake part	C
94	1	E050864	Drive shaft	C
95	2	A050176	Clamping lever	C
96	18	A050149	Ball bearing 6000.2Z	C

## Replacement part list SAB 550

Pos.	Pcs.	Order number	Description	Cat.
97	4	A050246	Ball bearing 625.2Z	C
98	8	E050142	Plate large	C
99	8	E050143	Plate small	C
100	8	E050144	Drive roll	C
101	8	E050145	Connection	C
102	8	E050146	Roll large	C
103	8	E050147	Roll small	C
104	32	A050148	Ball bearing 625.2Z	C
105	8	A050205	Transport belts	A
106	1	A050212	AC motor	C
107	2	E050215	Motor fixing	C
108	1	E050217	Motor disc	C
109	1	E050218	Fixing disc Pulley	C
110	4	A050219	Round belts	A
111	1	A050213	AC motor	C
112	2	E050214	Motor fixing	C
113	2	A050222	Toothed belt washer	C
114	2	A050224	Spindle lifting element	C
115	1	A050225	Toothed belt	A
116	1	E050221	Drive shaft	C
117	2	E050051	Frame part long	C
118	2	E050865	Frame part short	C
119	4	E050053	plate	C
120	4	E050054	Angle	C
121	2	E050866	Stabilisation	C
122	1	E050056	Hanging behind	C
123	1	E050057	Hanging front	C
124	4	E050058	Bracket	C
125	4	E050059	Height adjustment	C
126	1	E050061	Motor plate	C
127	1	E050066	Angle for end switch above	C
128	1	E050067	Angle for end switch bottom	C
129	2	E050069	Securing plates	C
130	2	E050072	Securing plates protective pipe	C
131	2	E050073	Protective pipe	C
132	2	E050074	Plate for adjustable feet	C
133	2	E050075	Pipe for adjustable feet	C
134	4	E050177	Weld plate	C
135	2	A050230	Steering roller	C
136	2	A050231	Fixed roller	C
137	2	A050232	Hinged foot	C
138	8	A050240	Linear spehical bushings LBBR 30.2L	C
139	2	A014341	Precision switch Omron	C
140	2	A020214	Precision switch housing Omron	C
141	1	E050251	Rod for height limiting	C
142	4	E050060	Column	C
143	1	E050867	Mounting plate	C
144	1	E050868	Middle plate left	C

## Replacement part list SAB 550

Pos.	Pcs.	Order number	Description	Cat.
145	1	E050869	Mounting plate right	C
146	1	E050870	Middle plate right	C
147	2	E050080	Support plate for Switch cabinet	C
148	2	E050081	Support plate	C
149	2	E050082	Securing plates	C
150	1	E050083	Motor plate	C
151	4	E050087	Angle for belt feed	C
152	4	E050088	Belt feed	C
153	1	E050174	Angle	C
154	1	E050175	Bearing plate	C
155	1	E050178	Shaft	C
156	2	A050179	Y-Pillow block	C
157	1	A050223	Toothed belt washer	C
158	1	A050226	Toothed belt	A
159	1	A050229	Toothed belt	A
160	1	B050261	Gear motor	C
161	2	E050062	Cover height adjustment	C
162	1	E050063	Cover height adjustment middle	C
163	4	E050064	U-Profile	C
164	1	E050065	Cover height adjustment drive	C
165	1	E050068	Cover position switch	C
166	1	E050138	Cover transport belt	C
167	1	E050172	Cover belt carpet drive	C
168	1	E050173	Cover toothed belt	C
169	1	E050183	Cover round belt	C
170	2	E050871	Cover	C
171	4	E040173	Spacer	C
172	1	E050872	Cover round belt	C
173	1	A050193	Handle	C
174	1	E016305	Inlet covering operating side	C
175	1	E016306	Inlet covering back side	C
176	1	E016307	Round belt covering operating side	C
177	1	E016308	Round belt covering behind	C
178	1	E051287	Clamping plate	C
179	1	E051288	Round belts covering	C
180	1	E051289	Motor covering	C
181	1	E051290	Motor covering beltdrive 1	C
182	1	E051291	Motor covering beltdrive 2	C
183	1	E051292	Motor covering beltdrive 3	C
184	1	E051293	Motor covering height adjustment	C
185	1	E051294	S - covering	C
186	2	E051295	Adjusting screw covering	C
187	1	E051296	Support plate	C
188	1	E050195	Switch cabinet	C
189	1	E050184	Control console	C
190	1	E050185	Receiving block	C
191	1	E050186	Display pipe holder	C
192	1	E050187	Sealing plate display	C

**Replacement part list SAB 550**

Pos.	Pcs.	Order number	Description	Cat.
193	1	E050719	Tableau	C
194	1	A050772	Display	C
195	1	A050189	Emergency stop sign	C
196	1	A050190	Emergency stop switch	C
197	2	A040490	Potentiometer	C
198	7	A050191	Illuminated pushbutton	C
199	1	E050194	Stop bolt	C