

Mobile transfer unit with stripping station

UEB 550 B

**Ersatzteil / Spare part / Pièce de rechange
Bestellung / Order / Commande**

Datum / Date / Date _____

Bestell-Nr. / Order-No. / No. de commande _____

Kunde / Customer / Client _____

FAX-Bestellung / FAX Order / Commande par TELECOPIE

Von: / From: / Expéditeur _____

Firma / Company / Sté _____

Strasse / Street / Adresse _____

Ort / Place / Localité _____

Kontaktperson / Contact / Interlocuteur _____

Typschild: / Type plate: / Plaque signalétique

Maschinentype

Machine type

Type de la machine

Maschinen Nr.

Serial number

Numéro de la machine

Bestellung: / Order: / Commande:

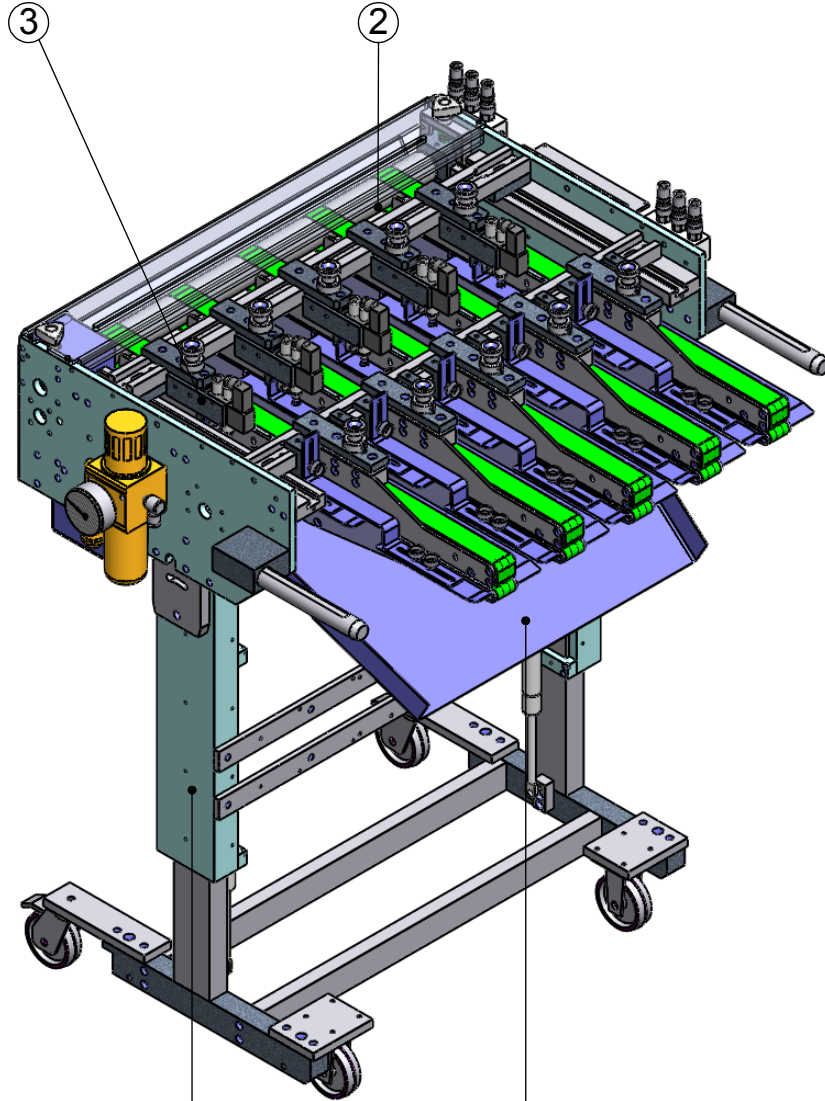
Anzahl Quantity Quantité	Artikel-Nr Part-No. Pièce-No	Bezeichnung Description Désignation

Transportart / Postage / Courier service Post Economy Post Priority Post Express UPS Standard UPS Express FedEx Lieferung direkt an Kunde / Direct delivery to customer / Livraison directe au client

Kundenadresse / Customer address / adresse du client _____

B051177
Transport unit

B051176
Drive unit



①
B051175
Machine frame

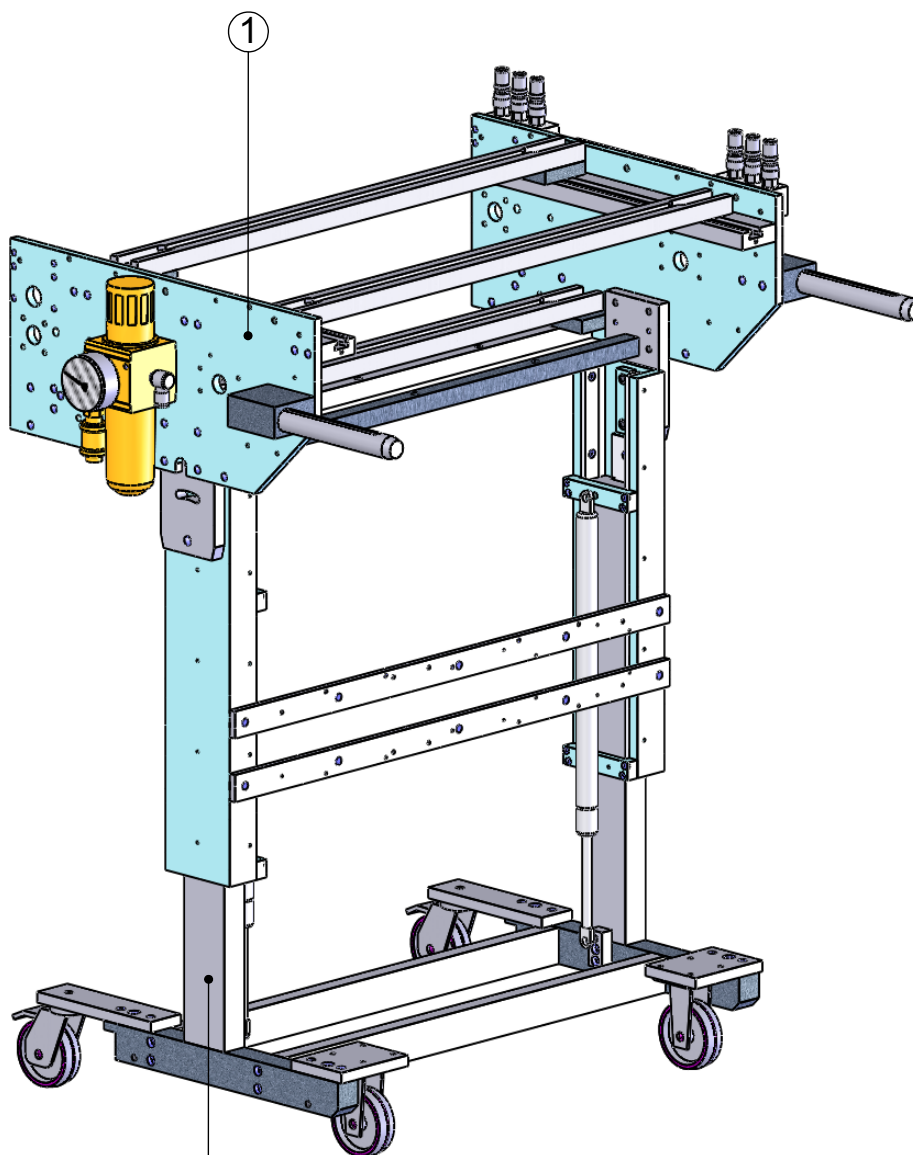
④
B051178
Coverings

Pos.	Pcs.	Order number	Description	Cat.
1	1	B051175	Machine frame	S. 4
2	1	B051176	Drive unit	S. 10
3	1	B051177	Transport unit	S. 16
4	1	B051178	Coverings	S. 22

Transfer unit

UEB 550 B

B051179
Base machine

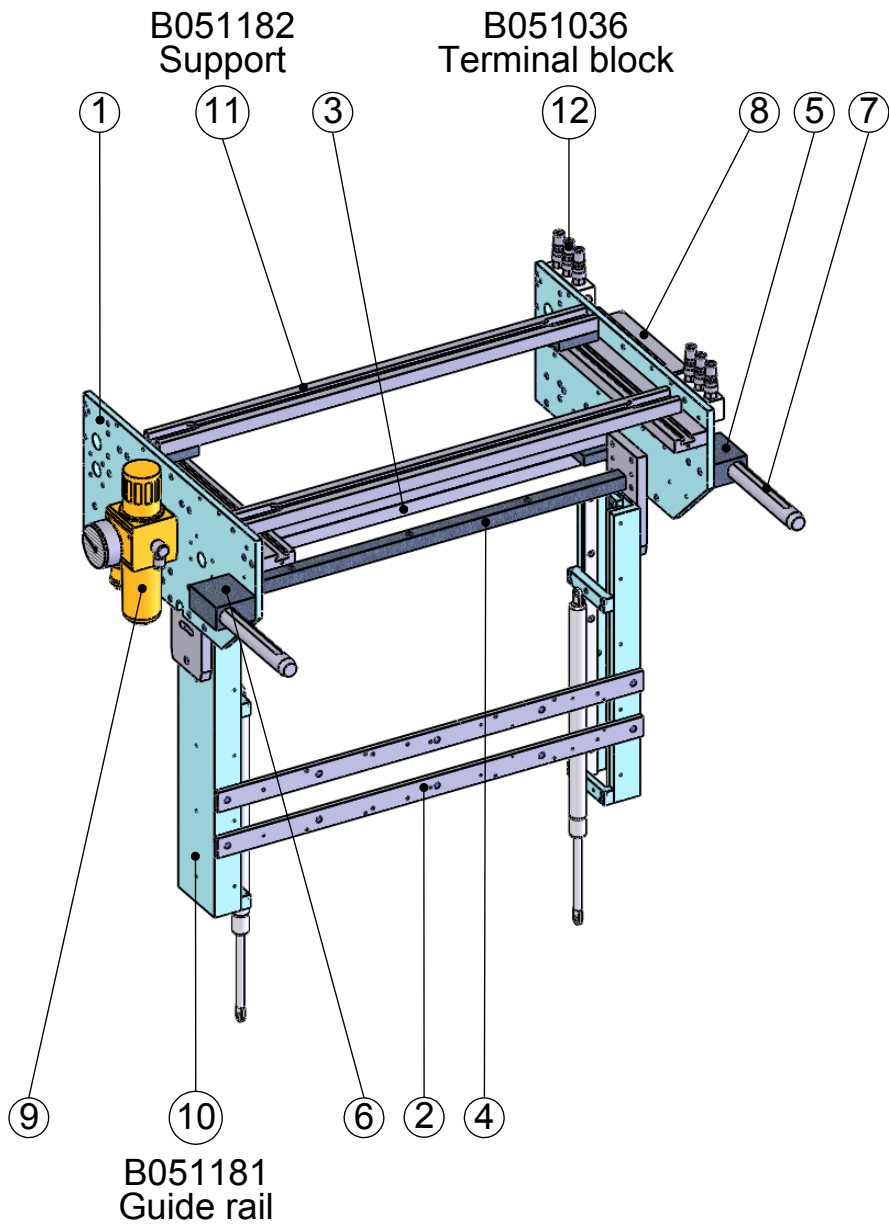


②
B051180
Base frame

Pos.	Pcs.	Order number	Description	Cat.
1	1	B051179	Base machine	S. 5
2	1	B051180	Base frame	S. 9

Machine frame

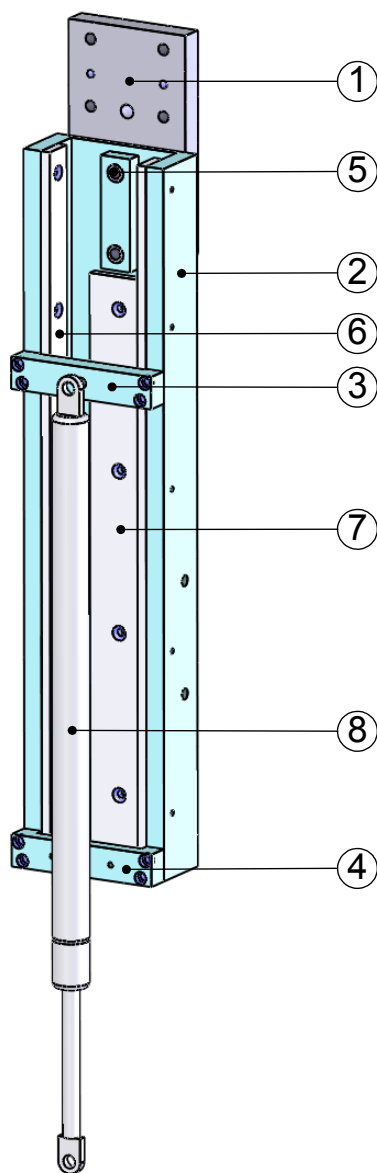
UEB 550 B



Pos.	Pcs.	Order number	Description	Cat.
1	2	E015232	Side part reworking	C
2	2	E021193	Connection	C
3	1	E001375	Traverse down	C
4	1	E015227	Traverse down	C
5	1	E015253	Rod fixing behind	C
6	1	E015254	Rod fixing front	C
7	2	E015252	Connecting rod	C
8	1	E015642	Holding angle connection plug b	C
9	1	A051100	Service unit complete	C
10	2	B051181	Guide rail	S. 6
11	1	B051182	Support	S. 7
12	2	B051036	Terminal block	S. 8

Base machine

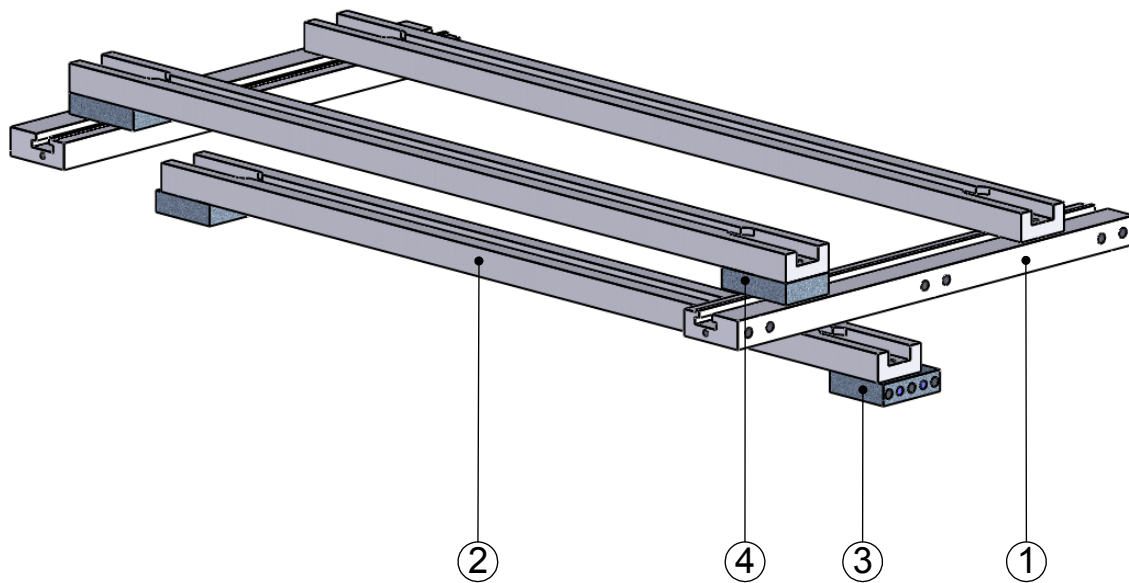
UEB 550 B



Pos	Pcs.	Order number	Description	Cat.
1	1	E001408	Swivel plate	C
2	1	E001382	Side guide	C
3	1	E001386	Holding block	C
4	1	E001389	Fixing strip	C
5	2	A001388	Ensat	C
6	2	E001402	Slide rail	C
7	1	E001401	Slide rail	C
8	1	A022905	Pneumatic spring	C

Guide rail

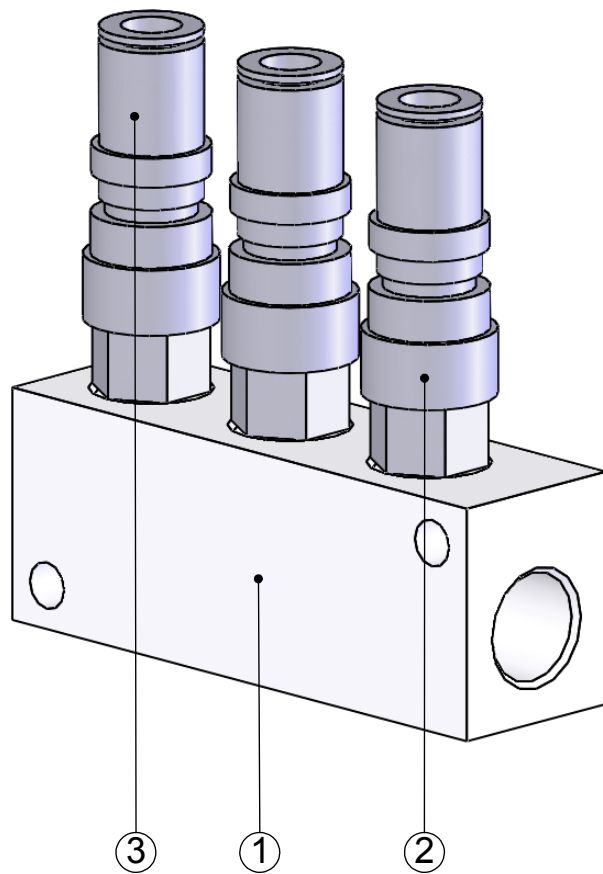
UEB 550 B



Pos	Pcs.	Order number	Description	Cat.
1	2	E001400	Side support	C
2	3	E015666	T-Nut rails L=670	C
3	2	E016124	Mounting block	C
4	2	E015943	Inter rail	C

Support

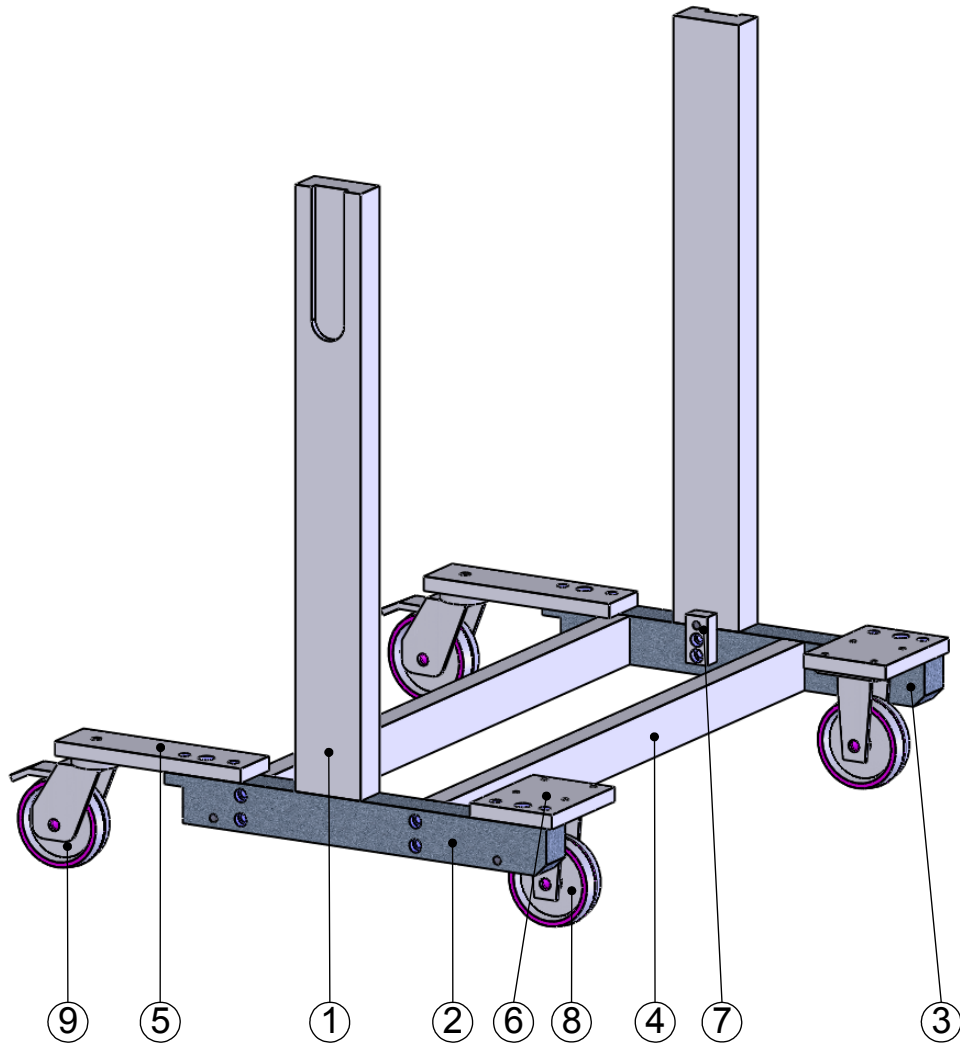
UEB 550 B



Pos	Pcs.	Order number	Description	Cat.
1	1	A015660	Distributor block	C
2	3	A015664	Pneumatic coupler sleeve	C
3	3	A015667	Coupler plug	C

Terminal block

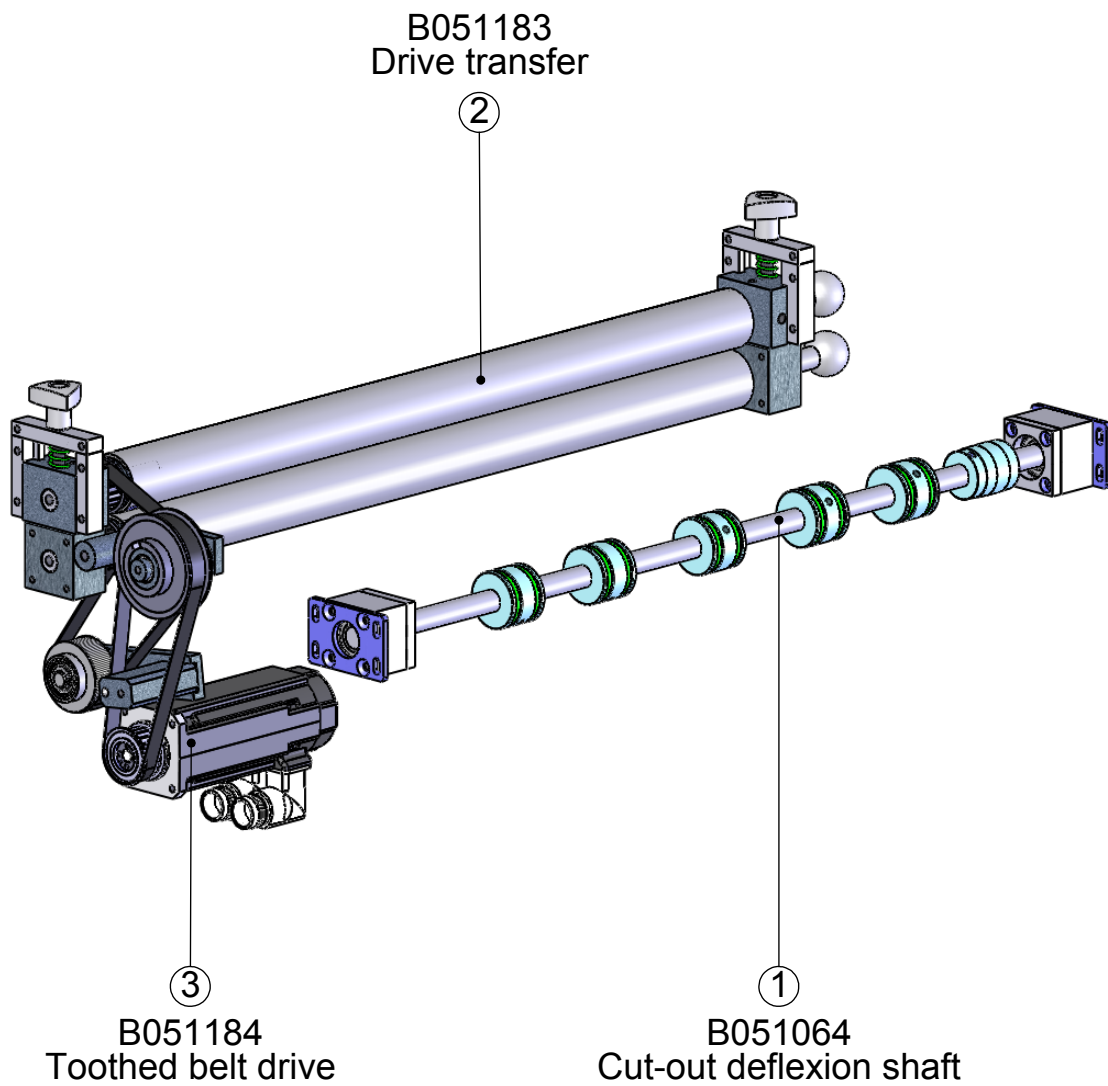
UEB 550 B



Pos	Pcs.	Order number	Description	Cat.
1	2	E001395	Adjustable feet	C
2	1	E001394	Carrying support right	C
3	1	E001396	Carrying support left	C
4	2	E001404	Traverse down	C
5	2	E001406	Swivel castor support	C
6	2	E001407	Fixed castor strip	C
7	2	E001456	Spring holder	C
8	2	A001443	Fixed roller with fixing plate	C
9	2	A016149	Steering roller with locking dev	C

Base frame

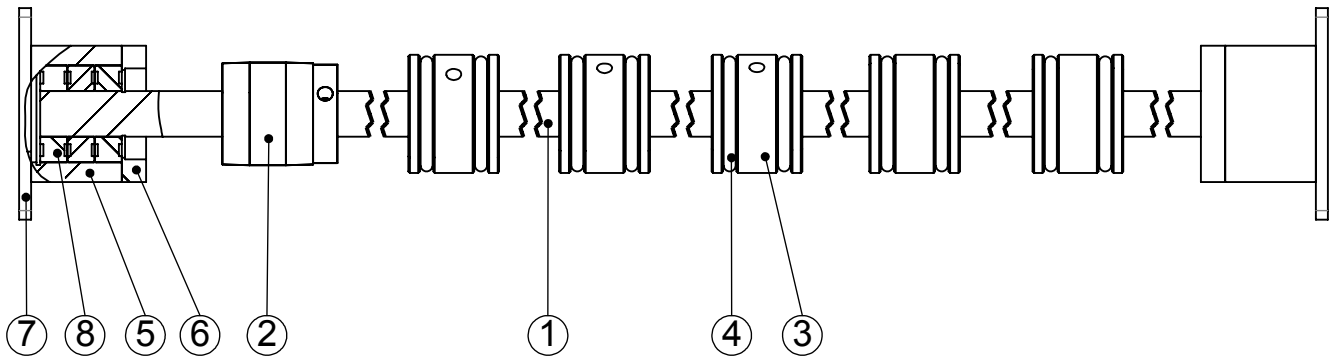
UEB 550 B



Pos.	Pcs.	Order number	Description	Cat.
1	1	B051064	Cut-out deflexion shaft	S. 11
2	1	B051183	Drive transfer	S. 12
3	1	B051184	Toothed belt drive	S. 13

Drive unit

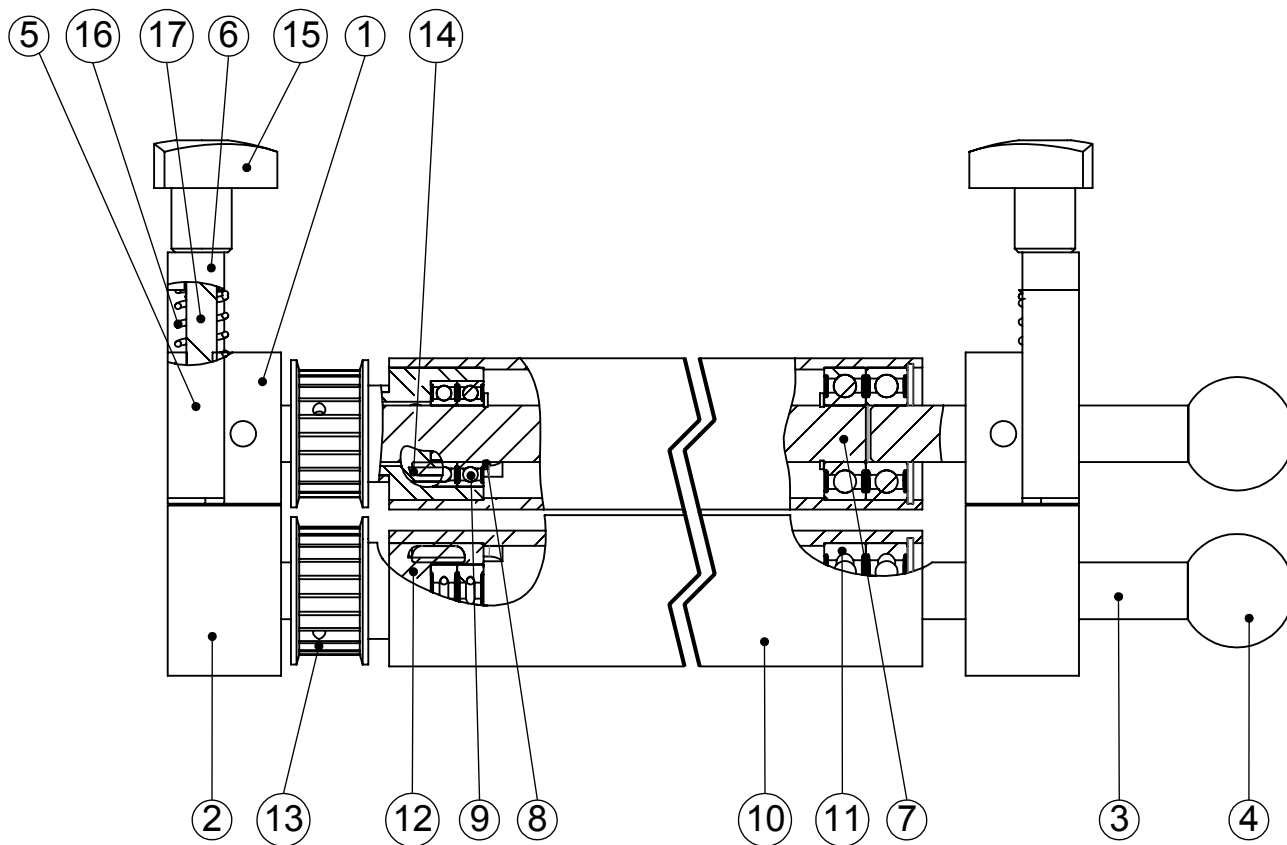
UEB 550 B



Pos.	Pcs.	Order number	Description	Cat.
1	1	E015626	Shaft cut-out cylinder	C
2	1	E000890	Band roller	C
3	5	E000869	Belt roller	C
4	10	A001125	O-Ring	A
5	2	E010383	Bearing hub	C
6	2	E010384	Bearing block cover	C
7	2	E015624	Support plate	C
8	6	A002870	Ball bearing	C

Cut-out deflexion shaft

UEB 550 B

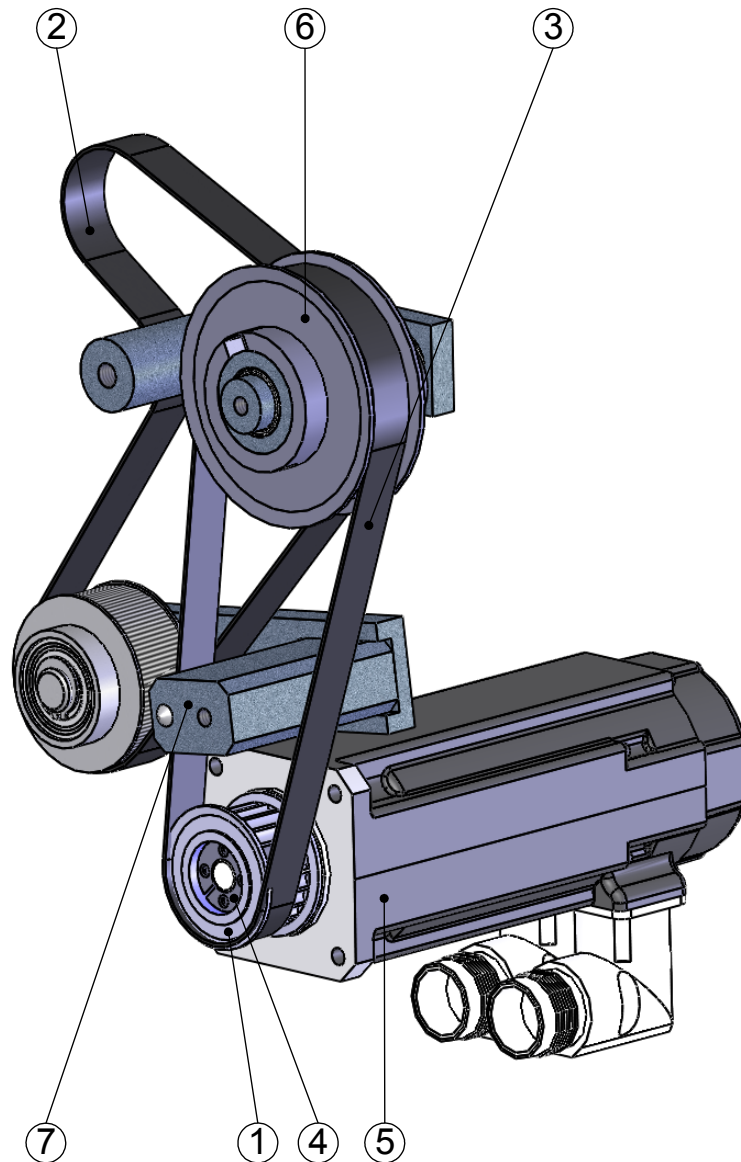


Pos	Pcs.	Order number	Description	Cat.	Pos	Pcs.	Order number	Description	Cat.
1	2	E016116	Bearing hub	C	10	2	E016114	Flat belt cylinder	C
2	2	E020413	Locking pin bearing	C	11	4	A014887	Ball bearing	B
3	2	E016115	Locking pin	C	12	2	E014866	Adapter flange	C
4	2	A020941	Ball knob	C	13	2	E014867	Belt pulley reworking	C
5	4	E010180	Guide rail	C	14	4	Parallel key A5 x 5 x 14 DIN 6885		C
6	2	E010191	Cover plate	C	15	2	A040543	Triangular handhold	C
7	2	E016112	Lose cylinder shaft behind	C	16	2	A040544	Pressure spring Ø14.1x32	C
8	4	A022066	Fusuring DIN471 Ø15	C	17	2	E040542	Thread rod	C
9	4	A021185	Corrugating ball bearing 15x28	A					

Drive transfer

UEB 550 B

B051071
Gear reduction shaft

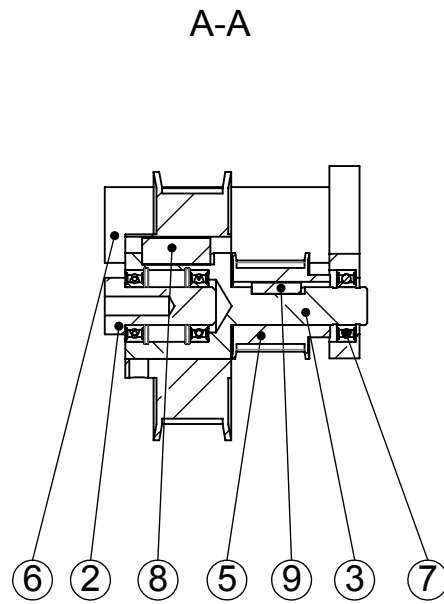
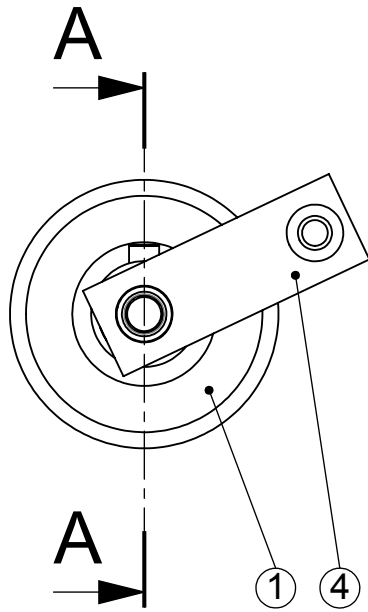


B051185
Tensioning complete

Pos.	Pcs.	Order number	Description	Cat.
1	1	E015655	Belt pulley servo motor	C
2	1	A015945	Duplex toothed belt	A
3	1	A015944	Toothed belt	A
4	1	A013615	Clamping set	C
5	1	A013819	Servo motor	C
6	1	B051071	Gear reduction shaft	S. 14
7	1	B051185	Tensioning complete	S. 15

Toothed belt drive

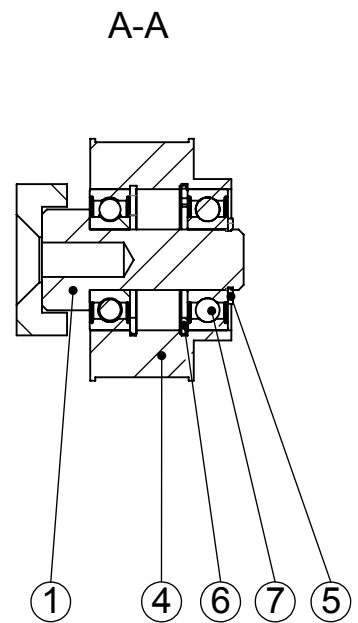
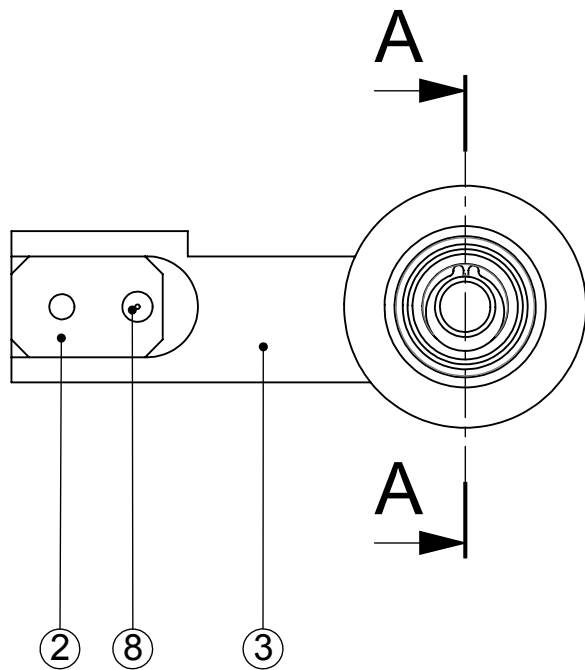
UEB 550 B



Pos.	Pcs.	Order number	Description	Cat.
1	1	E015915	Toothed belt disc	C
2	1	E015920	Bearing bolt	C
3	1	E015921	Connecting shaft	C
4	1	E015926	Ball bearing holder	C
5	1	E015935	Toothed belt disc 16Z	C
6	1	E015922	Bearing holder distance	C
7	3	A013148	Ball bearing	C
8	1	A015946	Parallel key	C
9	1	A015947	Parallel key	C

Gear reduction shaft

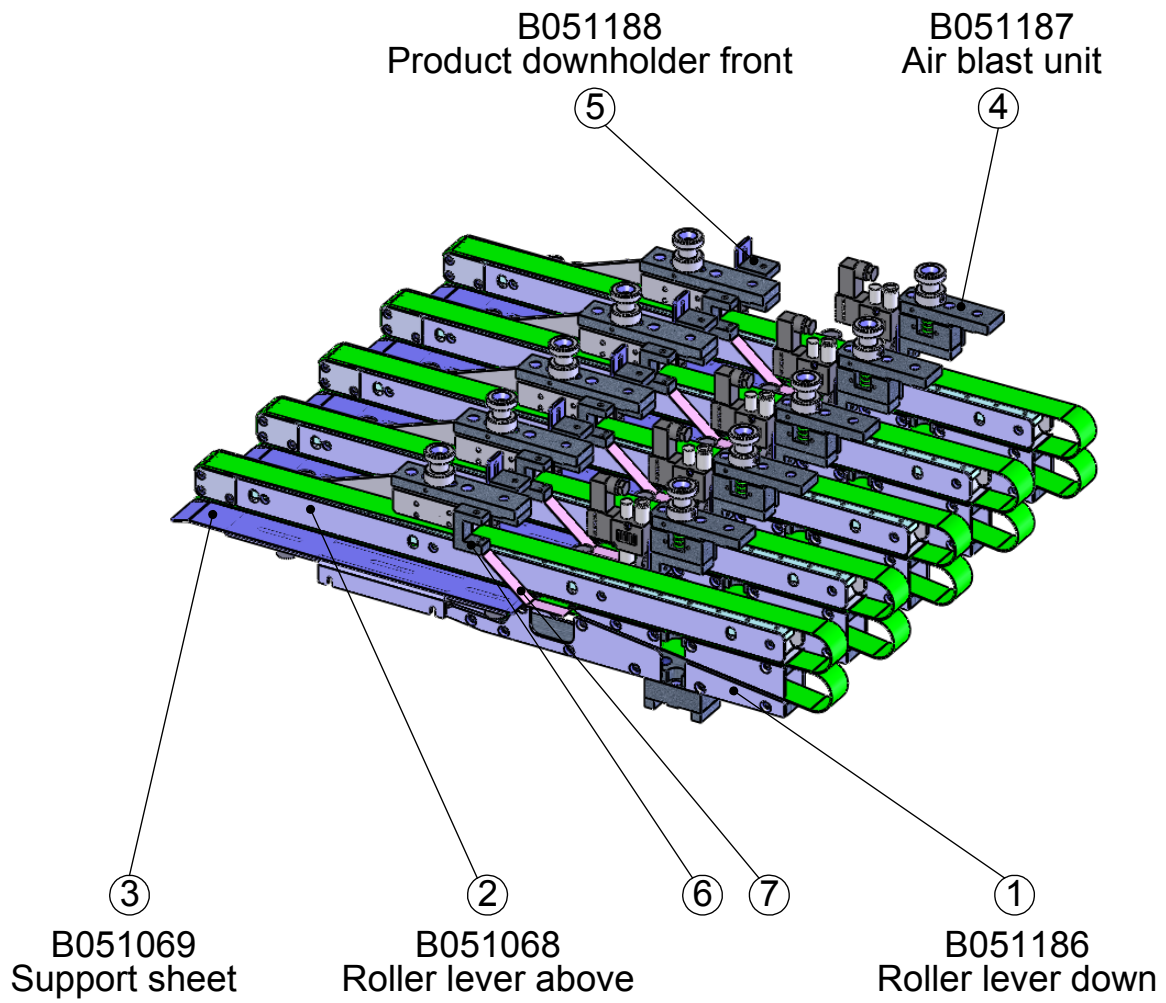
UEB 550 B



Pos	Pcs.	Order number	Description	Cat.
1	1	E020462	Tensioning bolt	C
2	1	E016118	Clamping frame	C
3	1	E016178	Clamping lever tightend	C
4	1	A020577	Spring washer	C
5	1	A020479	Fusering DIN471 Ø12	C
6	2	A020578	Fusering DIN472 Ø28	C
7	2	A020896	Corrugating ball bearing 12x28	C
8	1	DIN 914 - M6 x 8-N		C

Tensioning complete

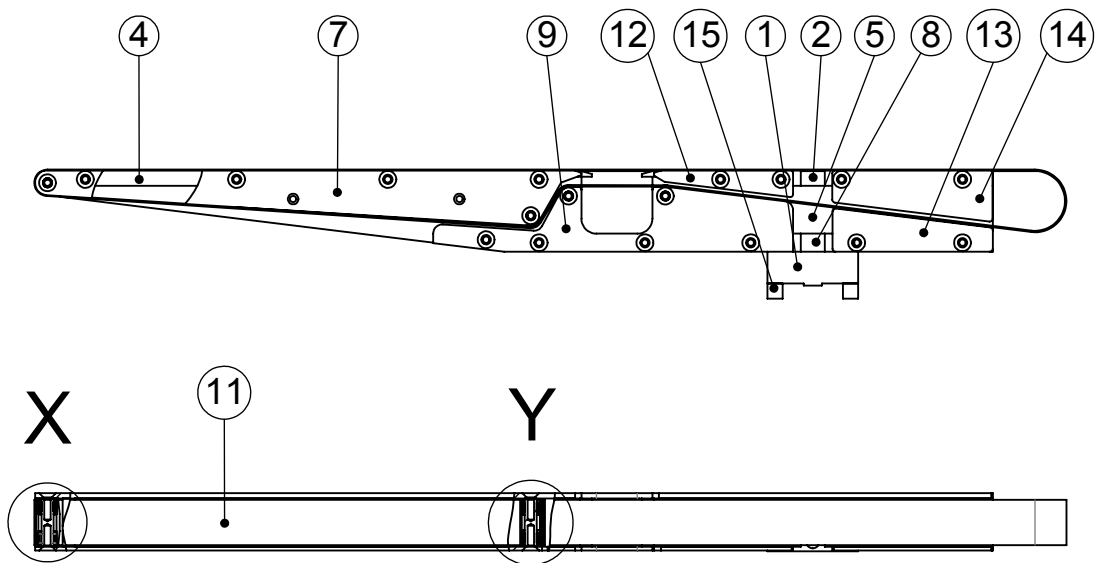
UEB 550 B



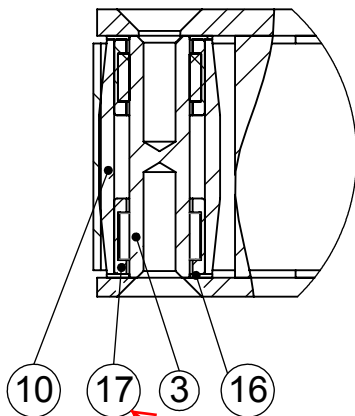
Pos.	Pcs.	Order number	Description	Cat.
1	5	B051186	Roller lever down	S. 17
2	5	B051068	Roller lever above	S. 18
3	5	B051069	Support sheet	S. 19
4	5	B051187	Air blast unit	S. 20
5	5	B051188	Product downholder front	S. 21
6	5	E016043	Sheet holder	C
7	5	E015795	Downholder sheet	C

Transport unit

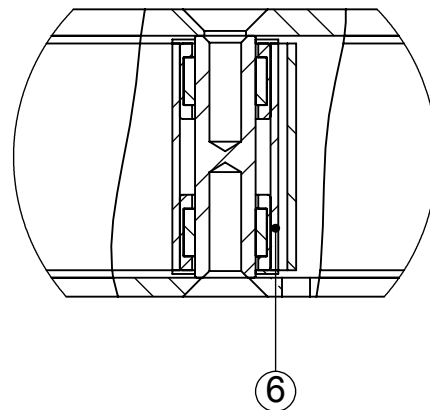
UEB 550 B



X (1 : 1)



Y (1 : 1)

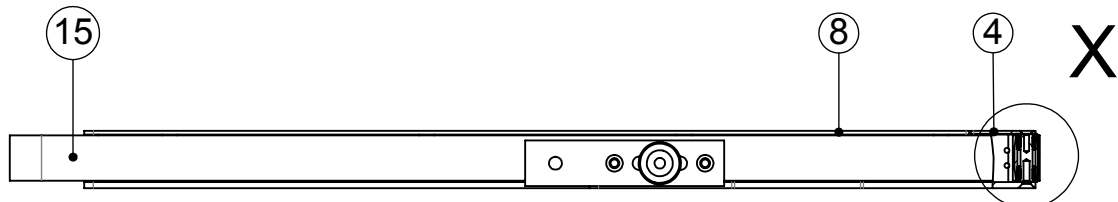
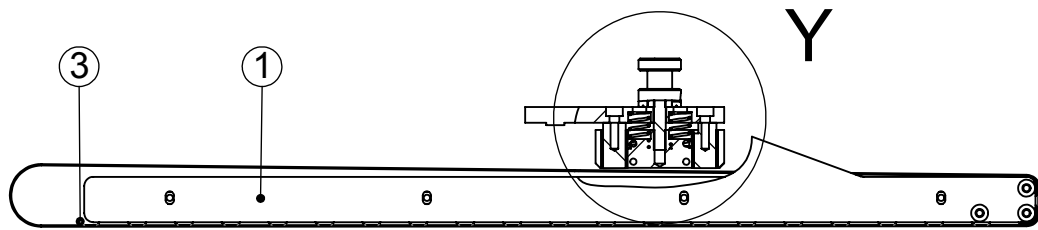


AI-E015900 tape roller assembly

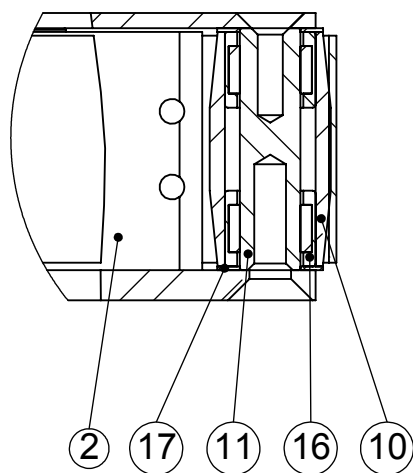
Pos.	Pcs.	Order number	Description	Cat.	Pos.	Pcs.	Order number	Description	Cat.
1	1	E015898	Guide stone	C	10	1	E015900	Belt roller small 30mm	C
2	1	E015895	Slide rail behind	C	11	1	A015953	Flat belt	A
3	4	E015899	Belt roller bolt - roller lever	B	12	1	E015942	Side sheet front	C
4	1	E015896	Slide rail front	C	13	1	E015940	Side sheet down	C
5	1	E015894	Side board front	C	14	1	E015941	Side sheet above	C
6	3	E013926	Deflexion sleeve	C	15	2	E016126	Equipment bar	C
7	1	E015897	Side board behind	C	16	8	A040751	Adjusting disc Ø8/14x0.5	C
8	1	E015934	Holding plate	C	17	9	A022638	Needle bearing 8x12x10	A
9	1	E015939	Deflexion roller sheet	C					

Roller lever down

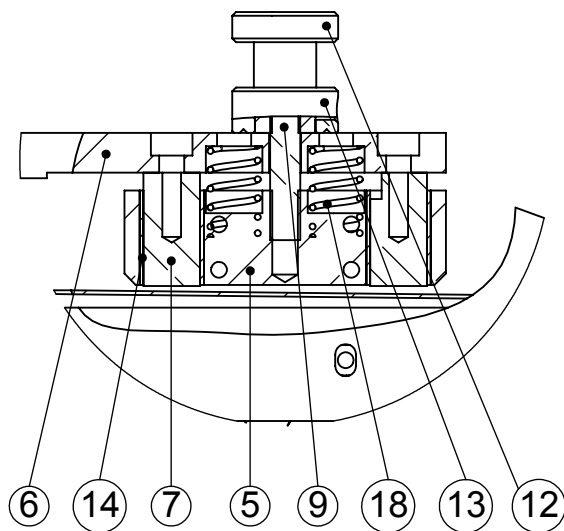
UEB 550 B



X (1 : 1)



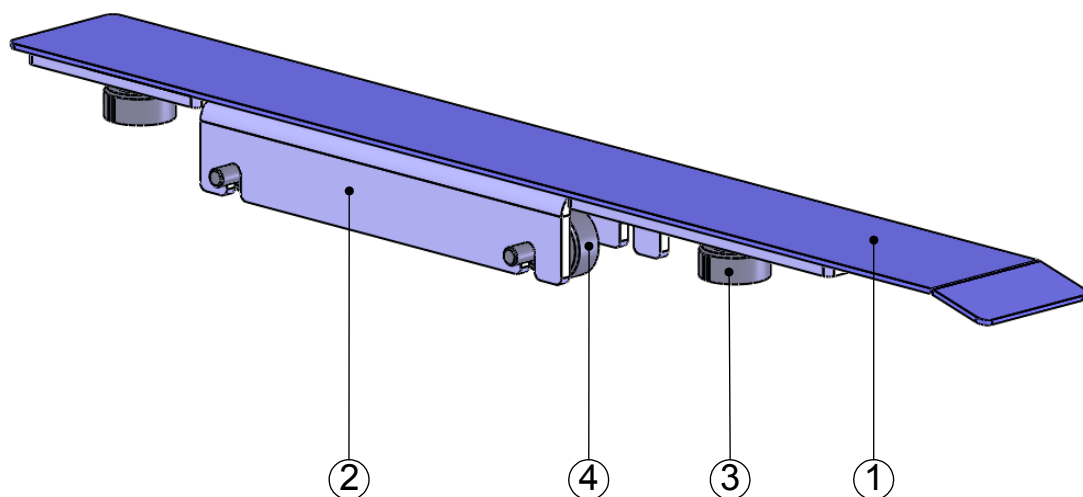
Y (1 : 2)



Pos	Pcs.	Order number	Description	Cat.	Pos	Pcs.	Order number	Description	Cat.
1	1	E015902	Roller rail	C	10	2	E015900	Belt roller small 30mm	C
2	1	E015903	Belt support rail	C	11	3	E015927	Belt roller bolt - roller lever	B
3	20	E015904	Clip small plate	A	12	1	E001283	Knurled screw	C
4	1	E015905	Roller small plate	C	13	1	A001284	Grid ring	C
5	1	E015906	Support rail	C	14	2	A015936	Slide bearing	C
6	1	E015907	Beam roller lever above	C	15	1	A015949	Flat belt	A
7	2	E015908	Guide column	C	16	4	A022638	Needle bearing 8x12x10	A
8	1	E015909	Covering bar	C	17	4	A040751	Adjusting disc Ø8/14x0.5	C
9	1	E015925	Threaded spindle roller lever	C	18	2	A012397	Pressure spring	A

Roller lever above

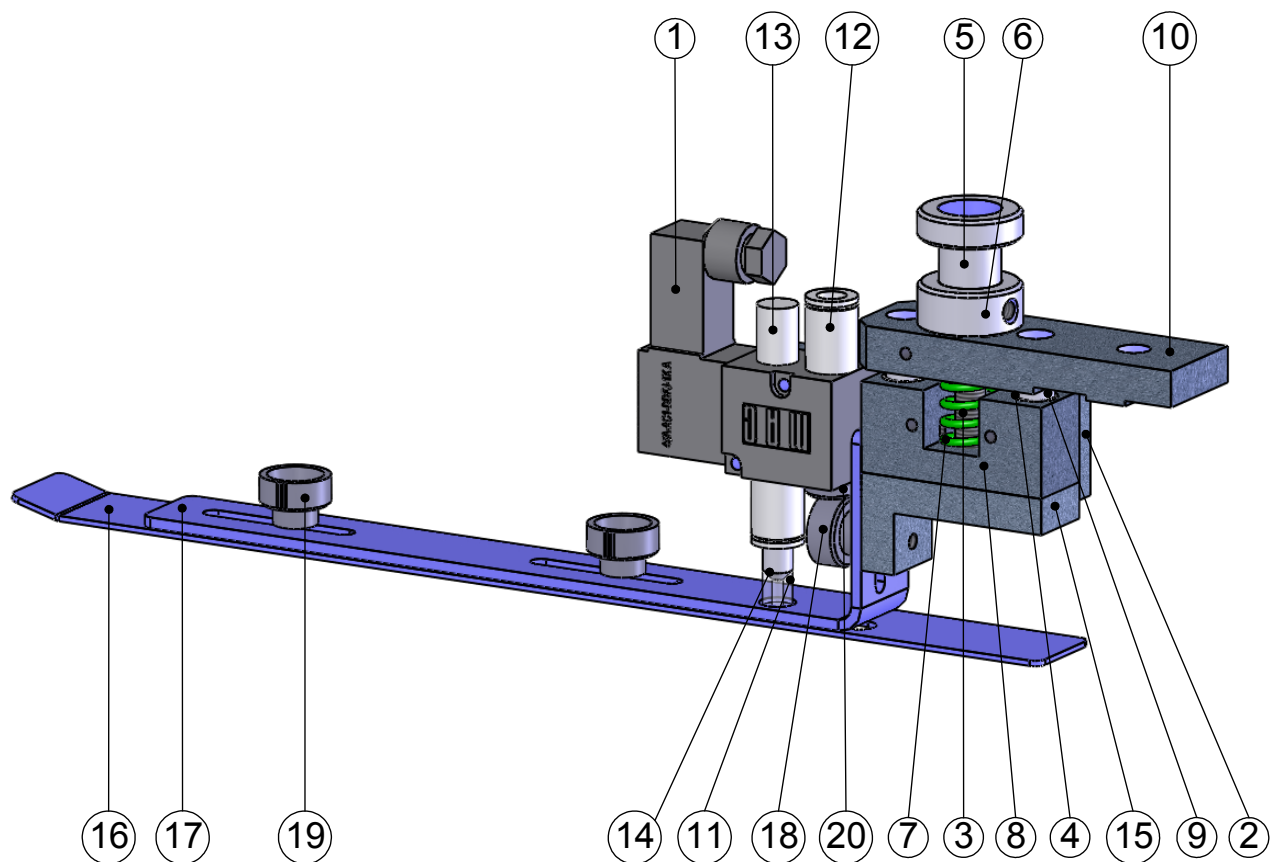
UEB 550 B



Pos	Pcs.	Order number	Description	Cat.
1	1	E015912	Slide sheet	C
2	1	E015911	Mounting profile	C
3	3	A015938	Knurled nut	C
4	2	A015937	Knurled screw	C

Support sheet

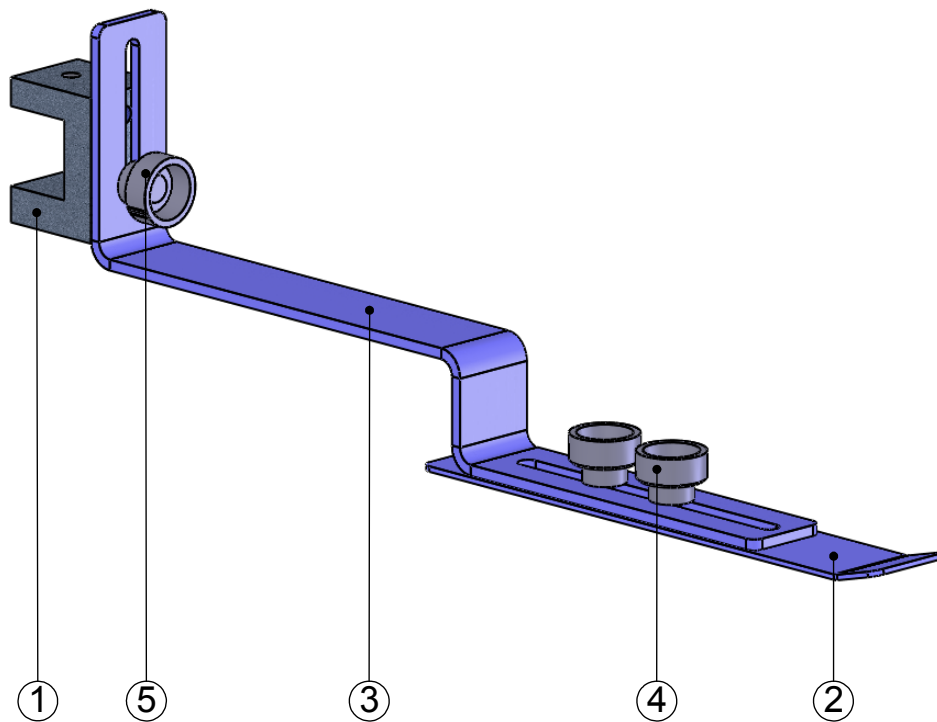
UEB 550 B



Pos	Pcs.	Order number	Description	Cat.	Pos	Pcs.	Order number	Description	Cat.
1	1	A002214	4-port/e-way valve	A	11	1	E015928	Air nozzle	A
2	1	E015582	Valve holder	C	12	2	A015955	Hose connection	A
3	1	E020681	Adjusting spindle M8	C	13	1	A015956	Compact exhaust box	C
4	4	A020947	Composite sleeve	A	14	1	E015594	Air nozzle	A
5	1	E001283	Knurled screw	C	15	1	E016134	Downholder fixing piece	C
6	1	A001284	Grid ring	C	16	1	E016127	Air blast downholder	C
7	1	A020785	Pressure spring Ø16	C	17	1	E016128	Sheet holder angle	C
8	1	E014884	Guide block air blast	C	18	1	A015937	Knurled screw	C
9	2	E014883	Guide bolt air blast	C	19	2	A015938	Knurled nut	C
10	1	E014882	Bearing block	C	20	1	ganter_gn_749-g1 8-a		C

Air blast unit

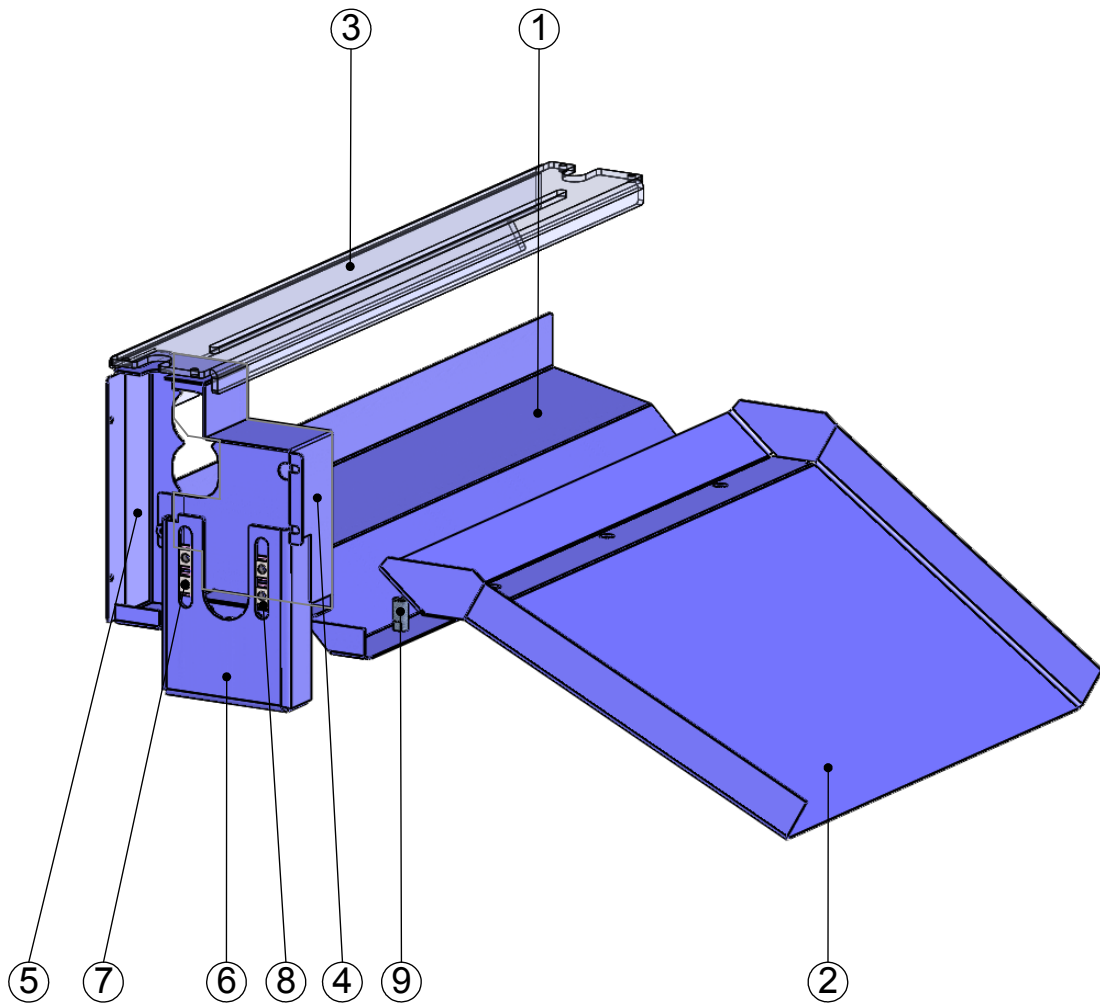
UEB 550 B



Pos.	Pcs.	Order number	Description	Cat.
1	1	E016129	Downholder fixing piece	C
2	1	E016130	Downholder sheet front	C
3	1	E016131	Downholder angle	C
4	2	A015938	Knurled nut	C
5	1	A015937	Knurled screw	C

Product downholder front

UEB 550 B



Pos	Pcs.	Order number	Description	Cat.
1	1	E015959	Cylinder cover down	C
2	1	E015656	Waste chute slide	C
3	1	E015958	Cylinder cover above	C
4	1	E015913	Cover toothed belt deflexion	C
5	1	E015914	Motor cover	C
6	1	E015917	Holder servomotor	C
7	4	E020645	Slot nut	C
8	4	E015635	Slot nut support	C
9	3	E016020	Distance piece	C

Coverings

UEB 550 B

Replacement part list UEB 550 B

Pos.	Pcs.	Order number	Description	Cat.
1	2	E015232	Side part reworking	C
2	2	E021193	Connection	C
3	1	E001375	Traverse down	C
4	1	E015227	Traverse down	C
5	1	E015253	Rod fixing behind	C
6	1	E015254	Rod fixing front	C
7	2	E015252	Connecting rod	C
8	1	E015642	Holding angle connection plug board	C
9	1	A051100	Service unit complete	C
10	2	E001408	Swivel plate	C
11	2	E001382	Side guide	C
12	2	E001386	Holding block	C
13	2	E001389	Fixing strip	C
14	4	A001388	Ensat	C
15	4	E001402	Slide rail	C
16	2	E001401	Slide rail	C
17	2	A022905	Pneumatic spring	C
18	2	E001400	Side support	C
19	3	E015666	T-Nut rails L=670	C
20	2	E016124	Mounting block	C
21	2	E015943	Inter rail	C
22	2	A015660	Distributor block	C
23	6	A015664	Pneumatic coupler sleeve	C
24	6	A015667	Coupler plug	C
25	2	E001395	Adjustable feet	C
26	1	E001394	Carrying support right	C
27	1	E001396	Carrying support left	C
28	2	E001404	Traverse down	C
29	2	E001406	Swivel castor support	C
30	2	E001407	Fixed castor strip	C
31	2	E001456	Spring holder	C
32	2	A001443	Fixed roller with fixing plate	C
33	2	A016149	Steering roller with locking device	C
34	1	E015626	Shaft cut-out cylinder	C
35	1	E000890	Band roller	C
36	5	E000869	Belt roller	C
37	10	A001125	O-Ring	A
38	2	E010383	Bearing hub	C
39	2	E010384	Bearing block cover	C
40	2	E015624	Support plate	C
41	6	A002870	Ball bearing	C
42	2	E016116	Bearing hub	C
43	2	E020413	Locking pin bearing	C
44	2	E016115	Locking pin	C
45	2	A020941	Ball knob	C
46	4	E010180	Guide rail	C
47	2	E010191	Cover plate	C
48	2	E016112	Lose cylinder shaft behind	C

Replacement part list UEB 550 B

Pos.	Pcs.	Order number	Description	Cat.
49	4	A022066	Fusering DIN471 Ø15	C
50	4	A021185	Corrugating ball bearing 15x28x7	A
51	2	E016114	Flat belt cylinder	C
52	4	A014887	Ball bearing	B
53	2	E014866	Adapter flange	C
54	2	E014867	Belt pulley reworking	C
55	4	Parallel key A5 x 5 x 14 DIN 6885		C
56	2	A040543	Triangular handhold	C
57	2	A040544	Pressure spring Ø14.1x32	C
58	2	E040542	Thread rod	C
59	1	E015655	Belt pulley servo motor	C
60	1	A015945	Duplex toothed belt	A
61	1	A015944	Toothed belt	A
62	1	A013615	Clamping set	C
63	1	A013819	Servo motor	C
64	1	E015915	Toothed belt disc	C
65	1	E015920	Bearing bolt	C
66	1	E015921	Connecting shaft	C
67	1	E015926	Ball bearing holder	C
68	1	E015935	Toothed belt disc 16Z	C
69	1	E015922	Bearing holder distance	C
70	3	A013148	Ball bearing	C
71	1	A015946	Parallel key	C
72	1	A015947	Parallel key	C
73	1	E020462	Tensioning bolt	C
74	1	E016118	Clamping frame	C
75	1	E016178	Clamping lever tightend	C
76	1	A020577	Spring washer	C
77	1	A020479	Fusering DIN471 Ø12	C
78	2	A020578	Fusering DIN472 Ø28	C
79	2	A020896	Corrugating ball bearing 12x28x8	C
80	1	DIN 914 - M6 x 8-N		C
81	5	E015898	Guide stone	C
82	5	E015895	Slide rail behind	C
83	20	E015899	Belt roller bolt - roller lever	B
84	5	E015896	Slide rail front	C
85	5	E015894	Side board front	C
86	15	E013926	Deflexion sleeve	C
87	5	E015897	Side board behind	C
88	5	E015934	Holding plate	C
89	5	E015939	Deflexion roller sheet	C
90	15	E015900	Belt roller small 30mm	C
91	5	A015953	Flat belt	A
92	5	E015942	Side sheet front	C
93	5	E015940	Side sheet down	C
94	5	E015941	Side sheet above	C
95	10	E016126	Equipment bar	C
96	60	A040751	Adjusting disc Ø8/14x0.5	C

Replacement part list UEB 550 B

Pos.	Pcs.	Order number	Description	Cat.
97	65	A022638	Needle bearing 8x12x10	A
98	5	E015902	Roller rail	C
99	5	E015903	Belt support rail	C
100	100	E015904	Clip small plate	A
101	5	E015905	Roller small plate	C
102	5	E015906	Support rail	C
103	5	E015907	Beam roller lever above	C
104	10	E015908	Guide column	C
105	5	E015909	Covering bar	C
106	5	E015925	Threaded spindle roller leverl	C
107	15	E015927	Belt roller bolt - roller lever	B
108	10	E001283	Knurled screw	C
109	10	A001284	Grid ring	C
110	10	A015936	Slide bearing	C
111	5	A015949	Flat belt	A
112	10	A012397	Pressure spring	A
113	5	E015912	Slide sheet	C
114	5	E015911	Mounting profile	C
115	35	A015938	Knurled nut	C
116	20	A015937	Knurled screw	C
117	5	A002214	4-port/2-way valve	A
118	5	E015582	Valve holder	C
119	5	E020681	Adjusting spindle M8	C
120	20	A020947	Composite sleeve	A
121	5	A020785	Pressure spring Ø16	C
122	5	E014884	Guide block air blast	C
123	10	E014883	Guide bolt air blast	C
124	5	E014882	Bearing block	C
125	5	E015928	Air nozzle	A
126	10	A015955	Hose connection	A
127	5	A015956	Compact exhaust box	C
128	5	E015594	Air nozzle	A
129	5	E016134	Downholder fixing piece	C
130	5	E016127	Air blast downholder	C
131	5	E016128	Sheet holder angle	C
132	5	ganter_gn_749-g1_8-a		C
133	5	E016129	Downholder fixing piece	C
134	5	E016130	Downholder sheet front	C
135	5	E016131	Downholder angle	C
136	5	E016043	Sheet holder	C
137	5	E015795	Downholder sheet	C
138	1	E015959	Cylinder cover down	C
139	1	E015656	Waste chute slide	C
140	1	E015958	Cylinder cover above	C
141	1	E015913	Cover toothed belt deflexion	C
142	1	E015914	Motor cover	C
143	1	E015917	Holder servomotor	C
144	4	E020645	Slot nut	C

Replacement part list UEB 550 B

Pos.	Pcs.	Order number	Description	Cat.
145	4	E015635	Slot nut support	C
146	3	E016020	Distance piece	C