

# **B26/B30**

**Continuous feeder and Parallel unit to 32 page unit**

**SPARE PARTS LIST**

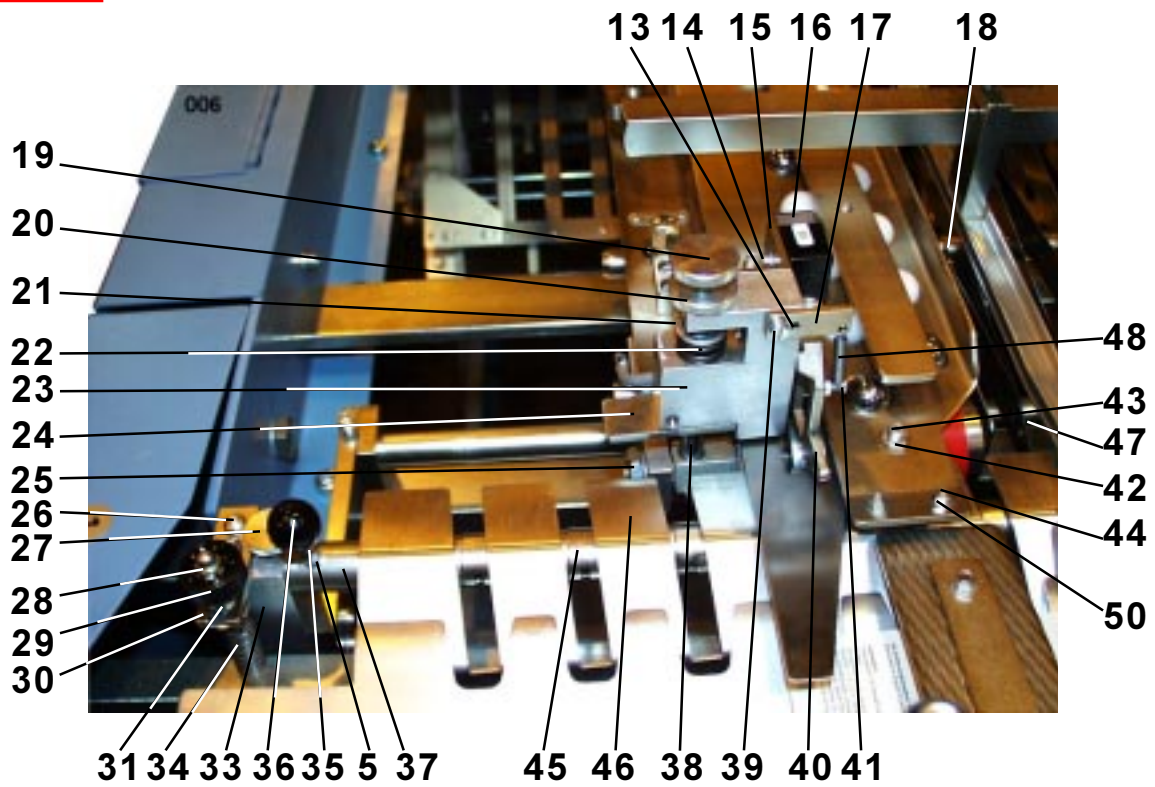
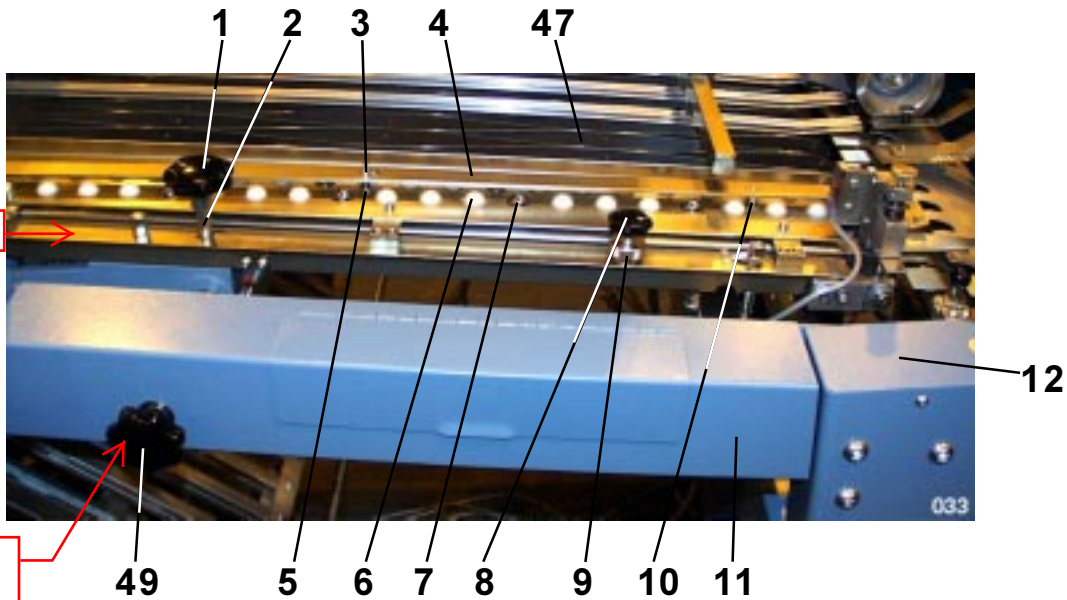
---



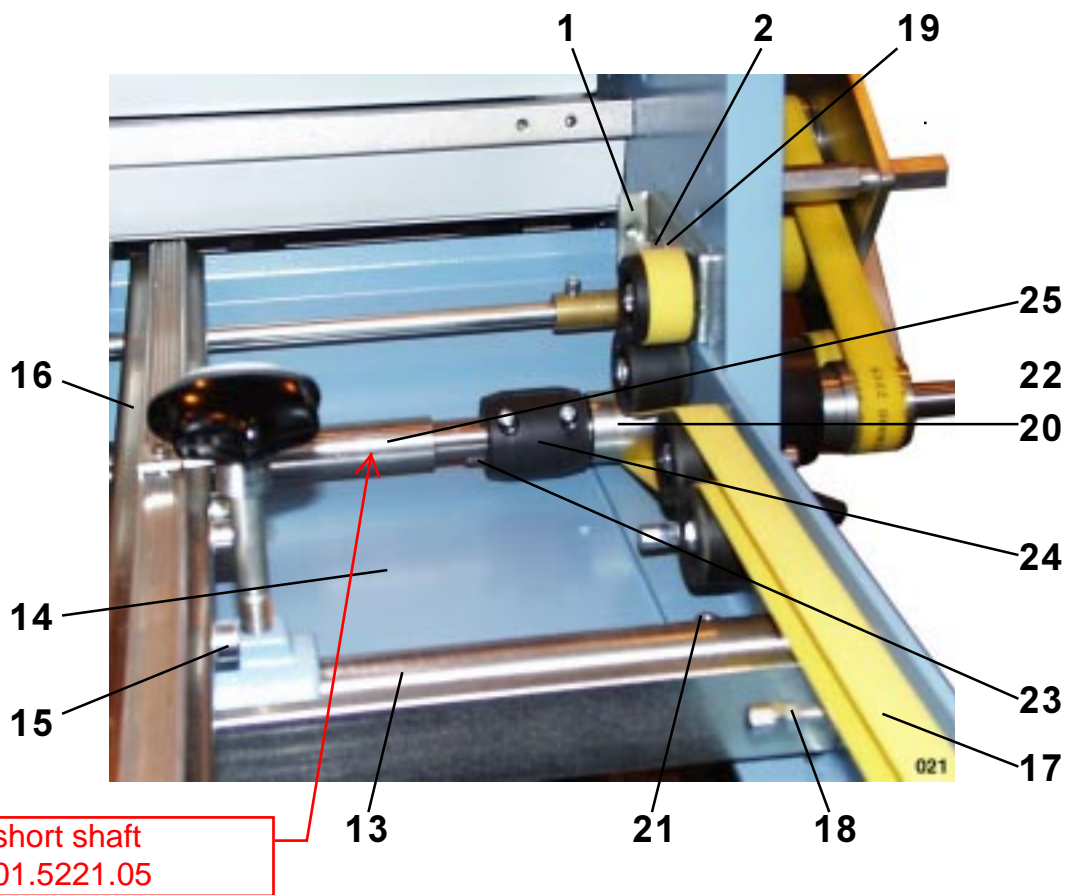
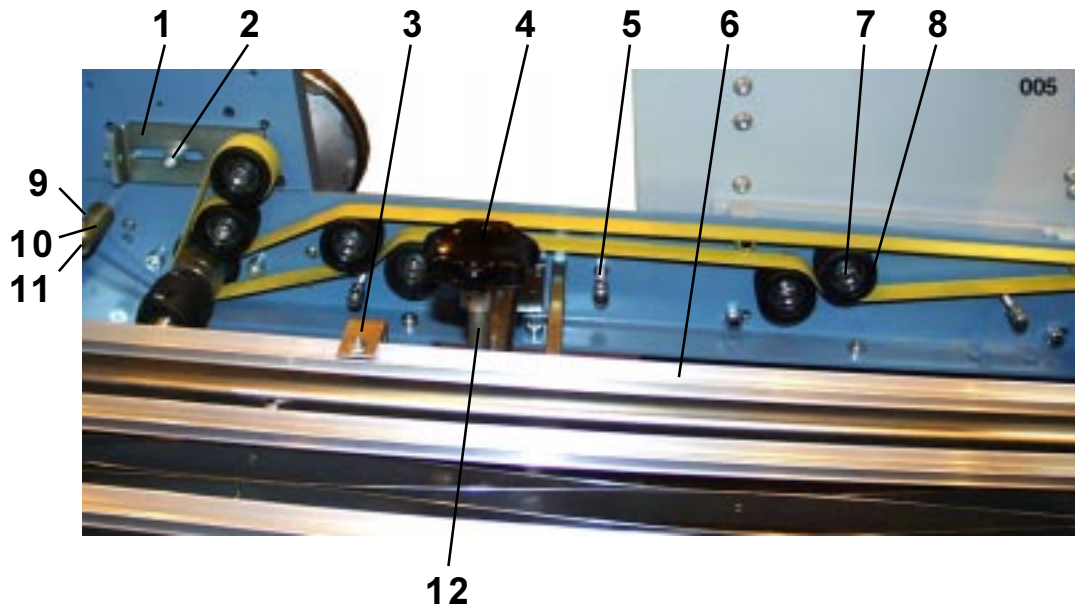


These spare parts catalogues show you all important parts of the machine, delivery and feeder.  
The numeration of the individual parts correspond to our fabrication numbers.  
When ordering parts please always indicate the number, this enables us to handle your order faultless and without any delay.

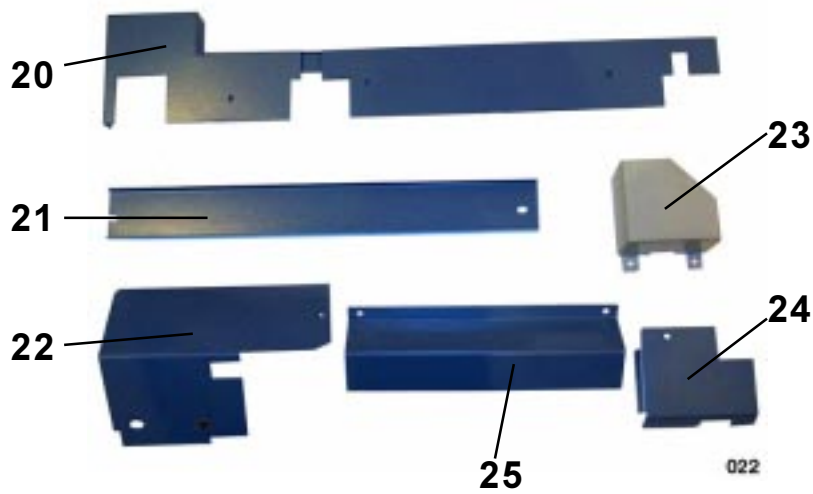
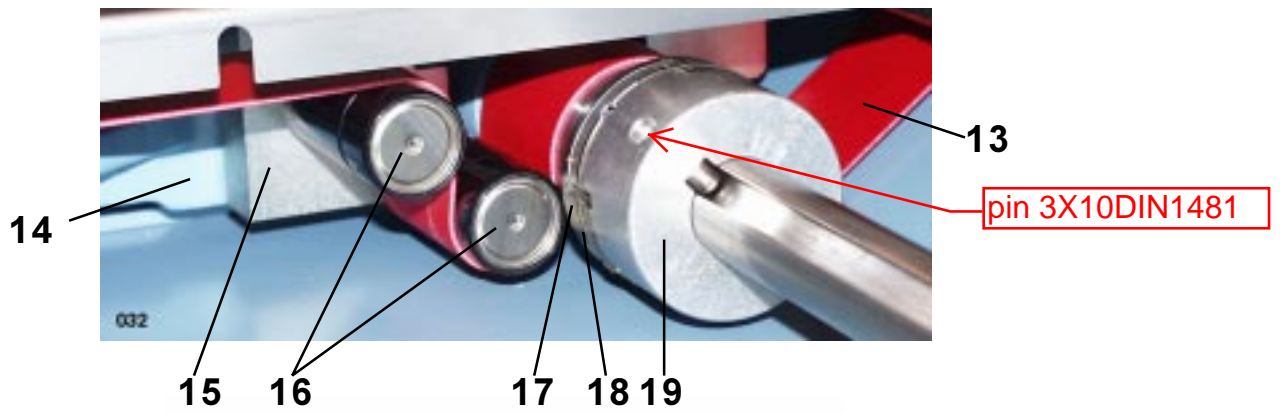
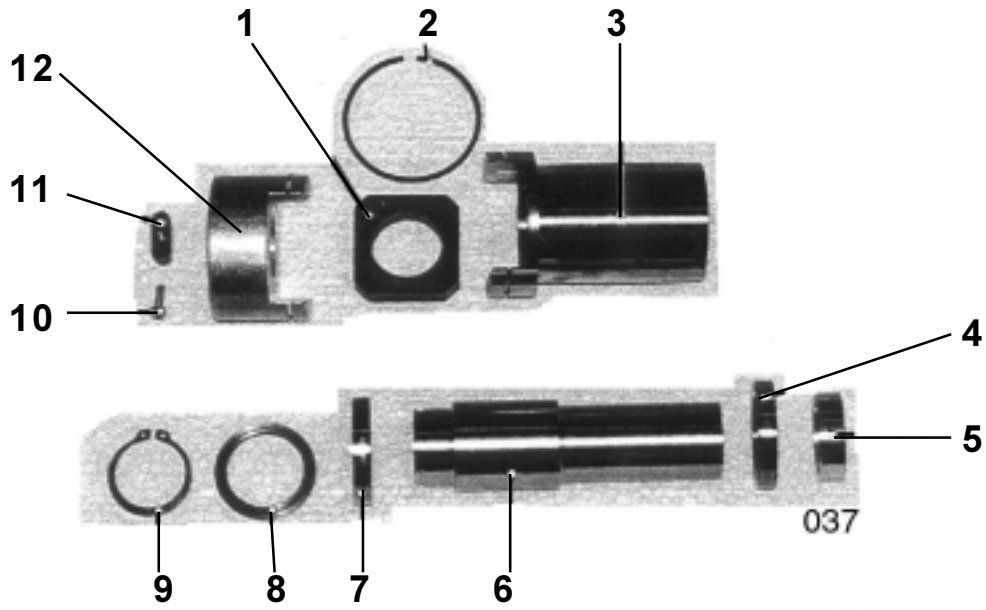
**It is also very important to indicate the type and serial number of the machine for which the spare parts are required.**



01	Star grip		00101881	(GN 6336.1-63-M12-E)
02	Screw		10.4229.00	
03	Screw		0088849.5	(M6 x25 DIN 912)
04	Ball holder bar		1.0.4241.310	
05	Nut		0090852.5	(M6 DIN 934)
06	Plastic ball		00110288	(20Ø)
07	Steel ball		00110262	(20Ø)
08	Star grip		00101857	(GN 63361-40-M8-E)
09	Excenter grip		1.0.4229.300	← stud
10	Bolt		10 340 070	M8X50DIN939
11	Tool box		1.0.4161.310	
12	Guard		1.0.3162.420	
13	Pin		00093138	(3x8 DIN 1481)
14	Nut with Screw		0090837.5 0085878.5	(M4 DIN 934) (M4x25 DIN 84)
15	Angle		1.0.4541.300	
16	Microswitch		00126417	(S9)
17	Holder		10 490 150	
18	Bar	B26	01.4121.02	
		B30	01.4121.03	
19	Knurled screw		0087916.5	(M6x25 DIN 653)
20	Knurled nut		0087148.5	(M6 DIN 467)
21	Washer		0086132.5	(10.4 DIN 125)
22	Spring		20 480 150	
23	Bearing block		1.0.4544.300	
24	Lever		2.0.4543.011	
25	Nut		0090910.5	(M12 DIN 934)
26	Screw		0095935.5	(M5x10 ULS)
27	Knurled screw		0087833.5	(M5x12 DIN 653)
28	Nut		0092148.5	(M6 DIN 986)
29	Knurled nut		00095877	(M6 GN 420)
30	Holder		1.0.2344.330	
31	Washer		0086116.5	(6.4 DIN 125)
32	Washer		0095661.5	(6.4 DIN 9021)
33	Holder		1.0.2344.320 1.0.2344.310	Operator side Drive side
34	Spring		60 480 040	
35	Screw		0091085	(M6x60 DIN 938)
36	Knob		00086504	(C20xM5 DIN 319)
37	Blower tube		01.3726.01	
38	Bolt		2.0.4525.010	
39	Screw		0085795.5	(M4x10 DIN 84)
40	Feeler		10 300 042	
41	Screw		0085670.5	(M3x12 DIN 84)
42	Nut		0090852.5	(M6 DIN 934)
43	Screw		0089631.5	(M6x12 DIN 913)
44	Screw		0095240.5	(M4x8 DIN 7991)
45	Clip		1.0.2386.011	
46	Infeed plate	B26	01.3463.00	Operator side
		B26	01.3163.01	Drive side
		B30	01.3163.02	Operator side
		B30	01.3163.03	Drive side
47	Jalousie cpl.		01.4400.00	
48	Spring		20 480 181	
49	Star grip Screw		10 410 020 0089607.5	(M6x8 DIN 913)
50	Nut		0090837.5	(M4 DIN 934)



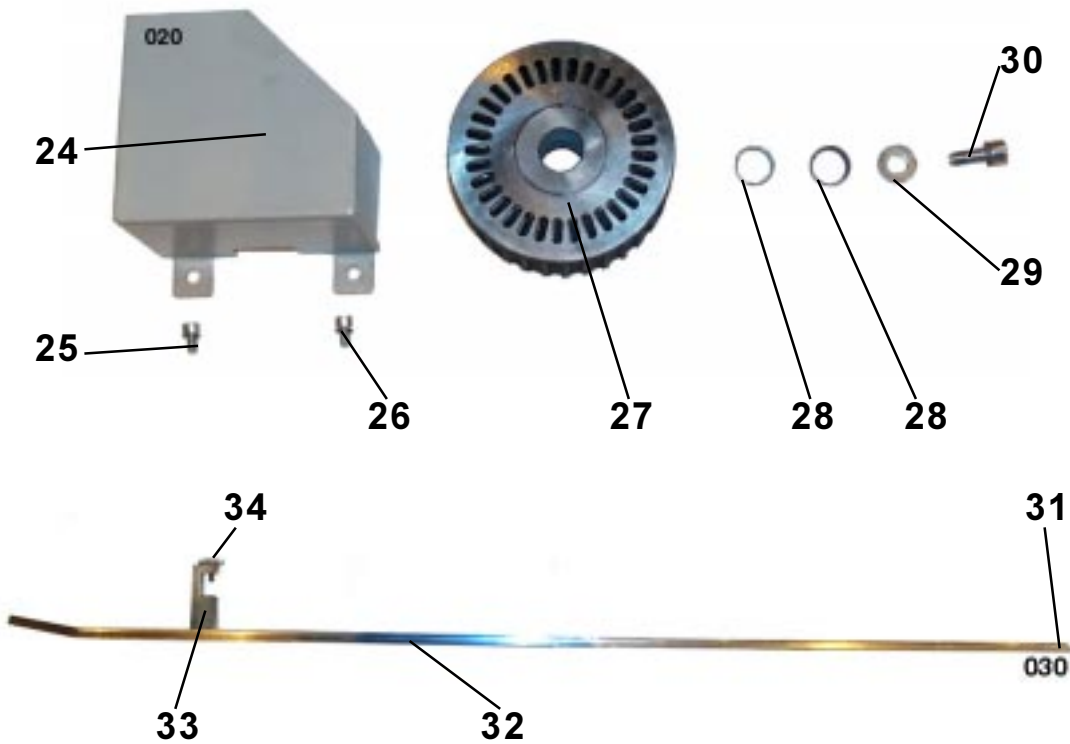
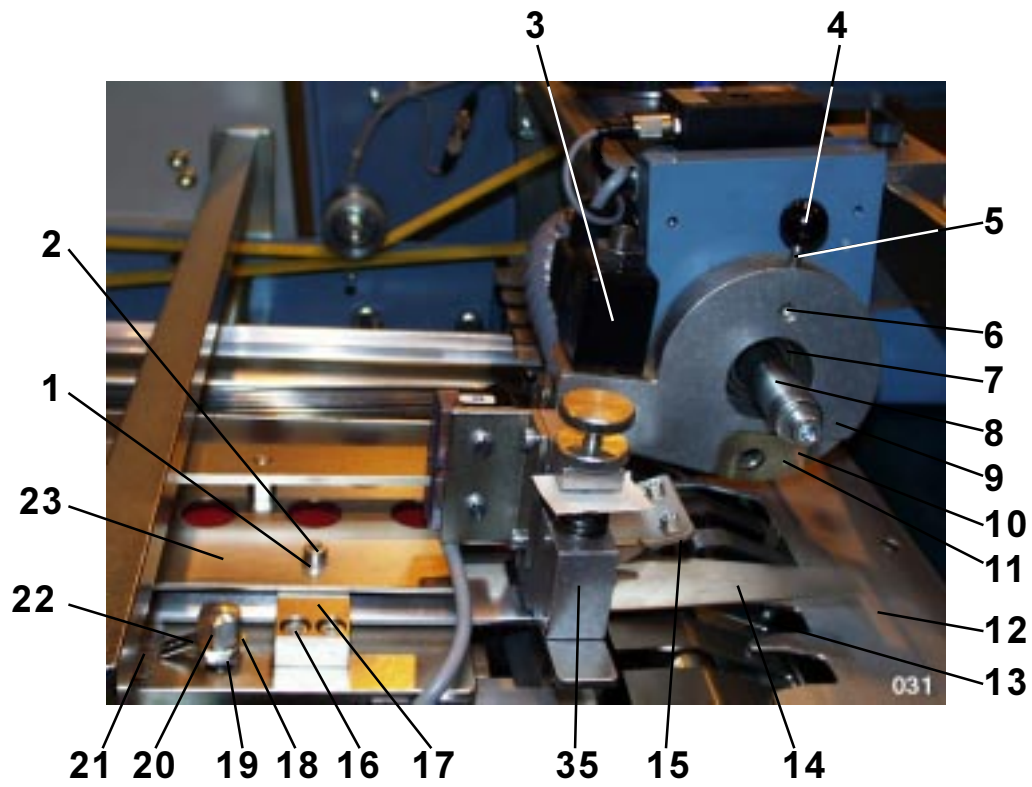
01	Holder		5.0.5244.011	
02	Screw		0088997.5	(M8x 20 DIN 912)
03	Holder		1.0.4264.300	
04	Star grip		00101881	(GN 6336.1-63-M12-E)
05	Screw		0090407.5	(M6x45 DIN 933)
06	Smoother		1.0.4251.300	
07	Screw		0089037.5	(M8x35 DIN 912)
08	Tape roller		00111781	(INA V56 202)
09	Screw		0088781.5	(M6x10 DIN 912)
10	Bush		1.0.4126.010	
11	Bar	B26	01.4121.04	
		B30	01.4121.05	
12	Screw		05.4229.00	
13	Bar	B26	01.4121.00	
		B30	01.4121.01	
14	Guard	B26	01.4161.00	
		B30	01.4161.01	
15	Screw		0088682.5	(M5x20 DIN 912)
16	Infeed plate		1.0.4263.340	
17	Flat belt		00105908	(20x2300 FU11)
18	Nut		0090852.5	(M6 DIN 934)
19	Washer		0086124.5	(8.4 DIN 125)
20	Tape roller		1.0.5232.360	
21	Nut		00095745	(M6 Anchor)
22	Screw		0089664.5	(M8x6 DIN 913)
23	Key		00094508	(6x6x30 DIN 6885)
24	Coupling		3.0.5326.024	
25	Handwheel shaft	B26	01.5221.02	par.unit length 848mm
		B30	01.5221.04	par.unit length 948mm
		26"	01.5221.01	8page unit length 848mm
		30"	01.5221.03	8page unit length 558mm
		15"	01.5221.00	16 and 32 page unit





01	Coupling		5.0.4244.011	
02	Seegerring		00101402	(SW 55)
03	Tape roller		1.0.4232.340	
04	Ball bearing		00109918	(61806-2RZ)
05	Distance bush		1.0.4228.020	
06	Bearing bush		1.0.4226.320	
07	Ball bearing		00109918	(61806-2RZ)
08	Ring		5.0.4228.010	
09	Ring		00087312	(30x1,5 DIN 471)
10	Screw		0088583.5	(M4x10 DIN 912)
11	Key		5.0.4243.010	
12	Coupling part		5.0.4227.011	
13	Tape		0106924	(50x2100)
14	Holder		1.0.4211.330	
15	Holder		1.0.4244.310	
16	Roller		00111773	(FR 28x60x70)
17	Tape roller		1.0.4232.340	
18	Circlip		00101402	(SW 55)
19	Coupling		5.0.4227.011	
20	Guard		1.0.4161.340	
21	Guard	B26	<del>01.4161.04</del>	01.4161.02
		B30	01.4161.05	
22	Guard		1.0.2162.371	
23	Guard		1.0.2262.350	
24	Guard		1.0.2162.381	
25	Guard	B26	<del>01.4161.02</del>	01.4161.04
		B30	01.4161.03	

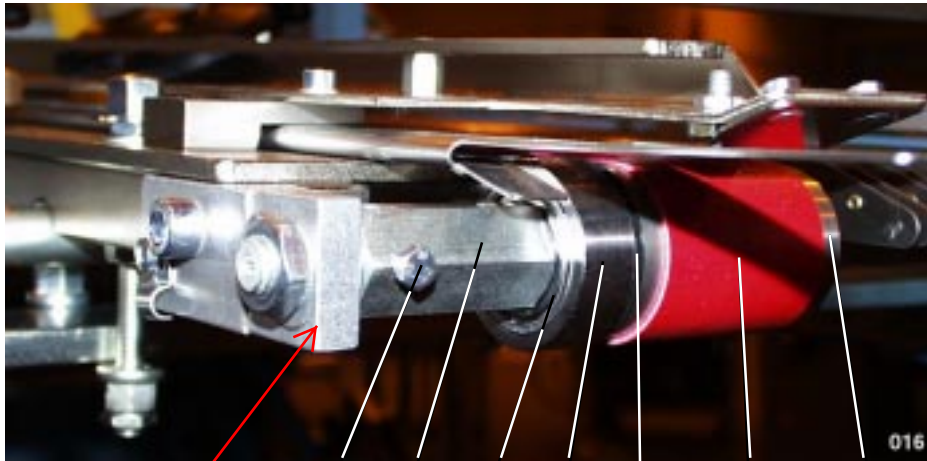
#1-12 complete 1.0.4200.300



01	Washer		0086116.5	(6.4 DIN 125)
02	Screw		0088781.5	(M6x10 DIN 912)
03	Solenoid valve		00129817	(MV 330-0302301304)
04	Knob		00086504	(C20xM5 DIN 319)
05	Screw		0090274.5	(M5x25 DIN 938)
06	Screw		0089615.5	(M6x10 DIN 913)
07	Ball bearing		00109728	(6004-2Z)
08	Shaft	B26	01.2221.00	
		B30	01.2221.01	
09	Valve plate		1.0.2215.320	
10	Valve bush		1.0.2244.020	
11	Screw		0095257.5	(M4x10 DIN 7991)
12	Plate	B26	01.3263.00	
		B30	013263.01	
13	Plate		1.0.3562.020	
14	Side guide		1.0.4263.330	
15	Infeed plate		1.0.4262.301	
16	Screw		0088641.5	(M5x10 DIN 912)
17	Holder		1.0.4244.330	
18	Washer		0086124.5	(8.4 DIN 125)
19	Nut		0090878.5	(M8 DIN 934)
20	Nut		0090084.5	(M8 DIN 917)
21	Scale		50 670 010	
22	Washer		0087062	(8,4 DIN463)
23	Ball bar		1.0.4262.311	
24	Guard		1.0.2262.350	
25	Screw		0088799.5	(M6x12 DIN 912)
26	Washer		0086116.5	(6.4 DIN 125)
27	Suction wheel		1.0.2200.351	
28	Set ring spring		00101600	(RFN 8006)
29	Washer		0095679.5	(8.4 DIN 9021)
30	Screw		0088997.5	(M8x20 DIN 912)
31	Flat spring		4.0.8286.010	
32	Smoother bar		1.0.4251.310	
33	Holder		1.0.4244.300	
34	Knurled screw		0087908.5	(M6x20 DIN 635)
35	Double sheet detector		1.0.4500.300	1.0.4500.300

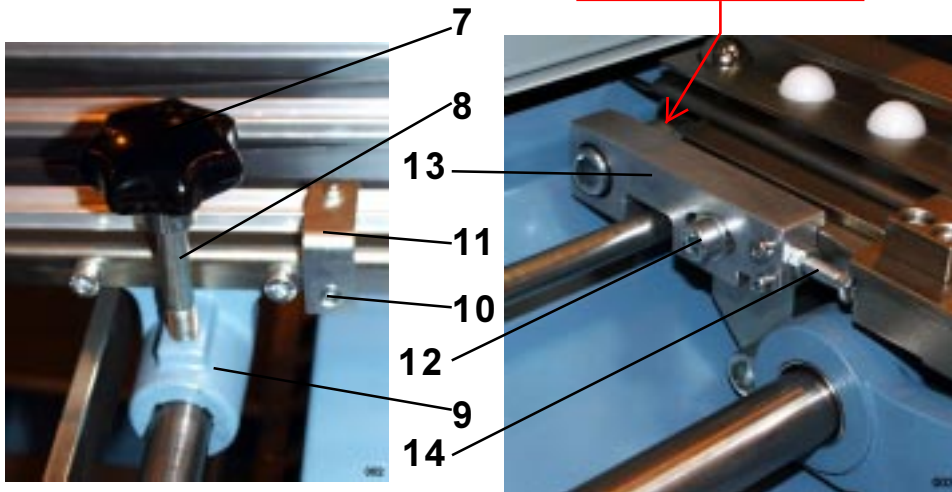
microswitch for detector  
PJIII-01

31-34 Smoother cpl. 1.0.4200.310



block 1.0.4244.370

tape roller  
1.0.4200.330

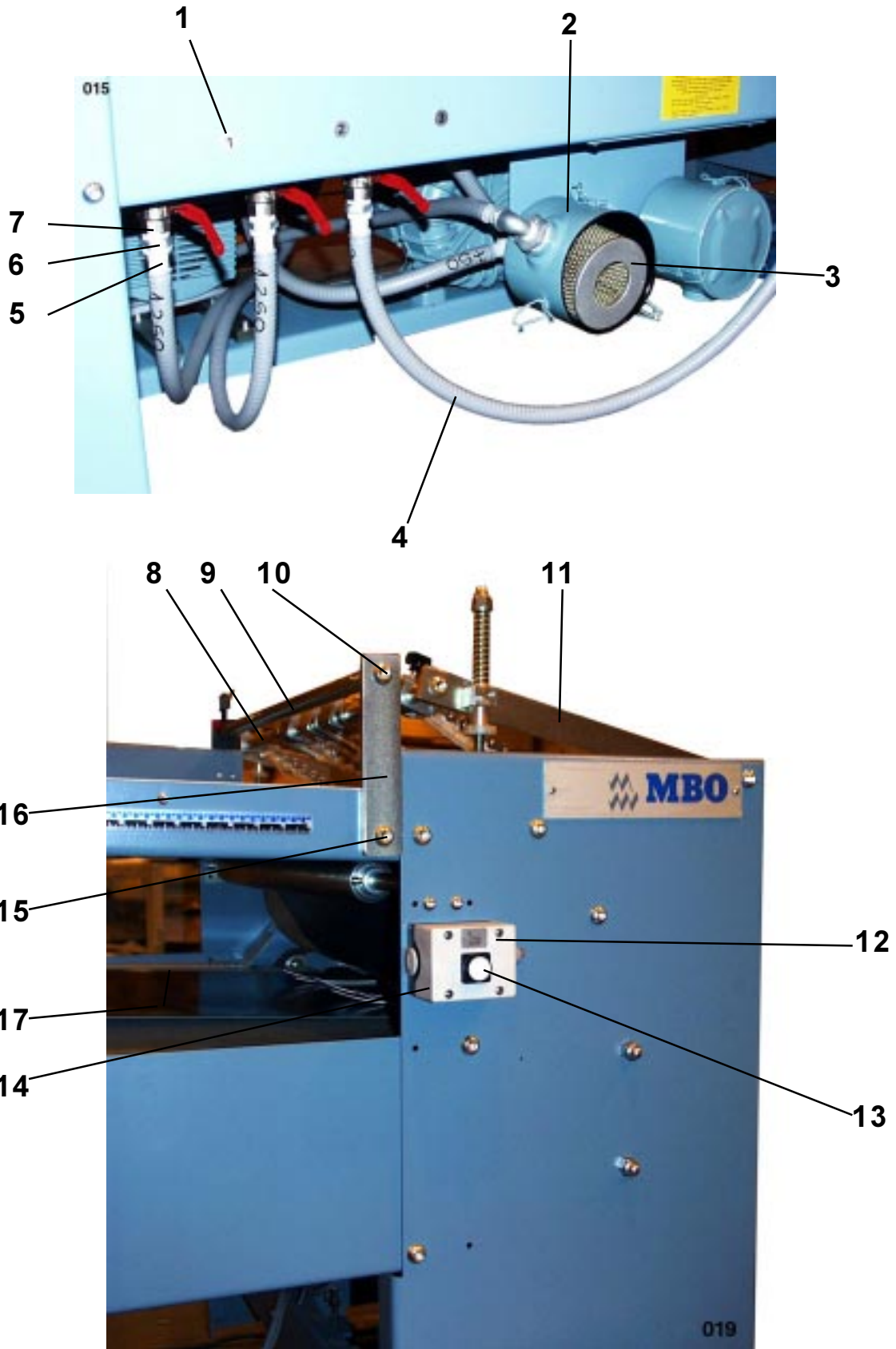


---

01	Tape roller	5.0.4232.041	
02	Washer spring	<del>5.0.4238.010</del>	5.0.4283.010
03	Roller	5.0.4231.010	
04	Ball bearing	00109686	(6003-2Z)
05	Bearing bolt	5.0.4225.011	
06	Screw	0090233.5	(M5x10 DIN 933)
07	Star grip	00101881	(GN 6336.1-63-M12-E)
08	Screw	05.4229.00	
09	Holder	1.0.4211.320	
10	Screw	0088682.5	(M5x20 DIN 912)
11	Holder	1.0.4264.300	
12	Screw	0089003.5	(M8x25 DIN 912)
13	Holder	1.0.4244.320	
14	Screw	0090404.5	(M6x40 DIN 933)
15	Tape	0106924	(50x2100)

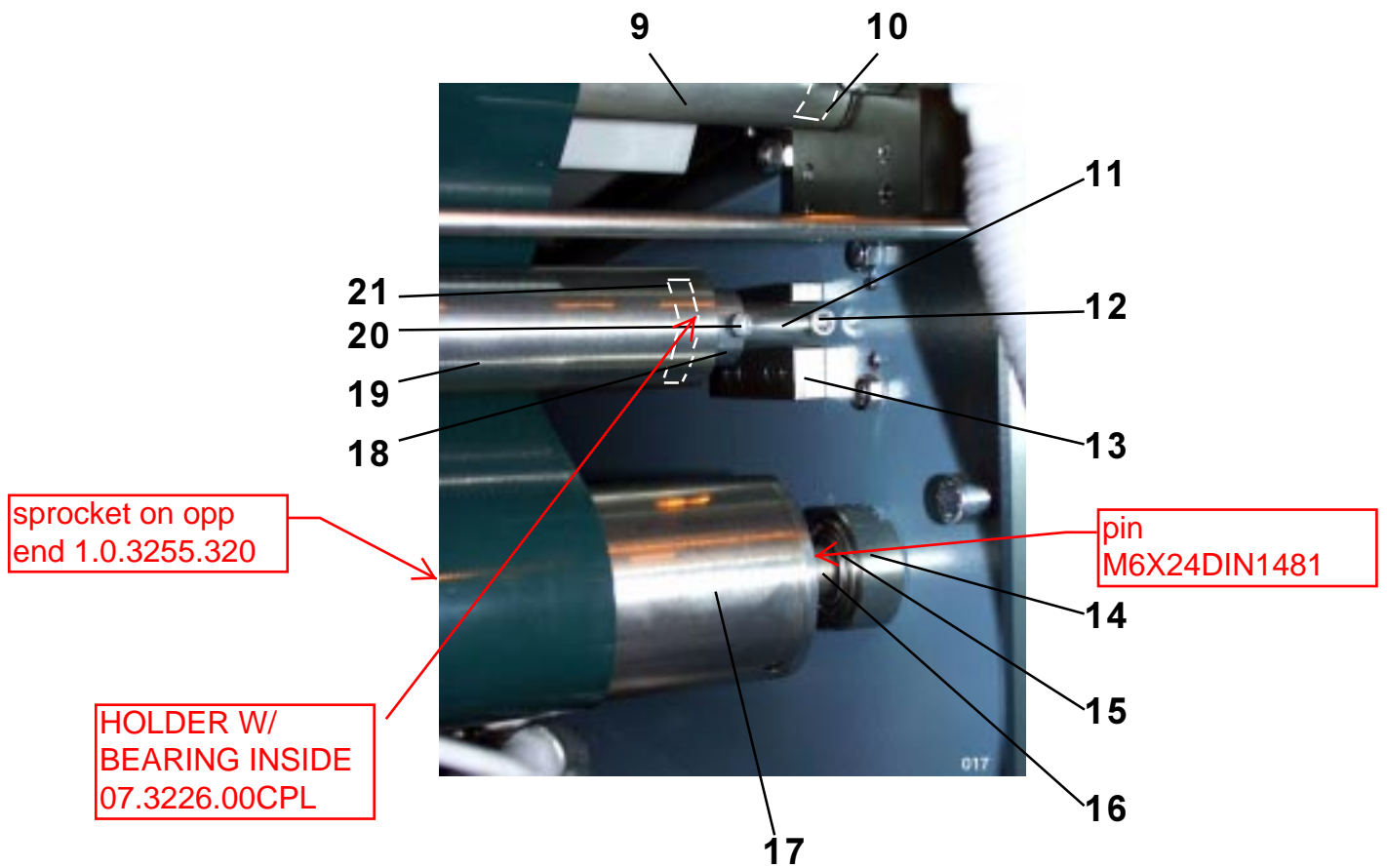
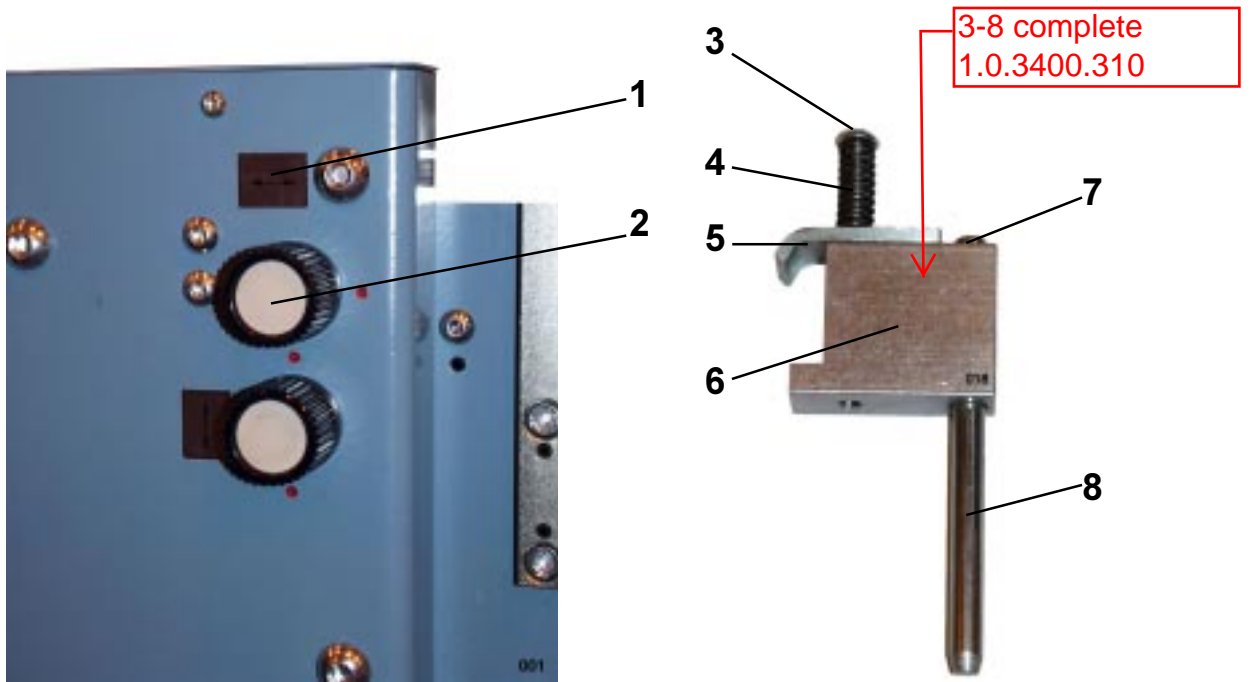
1-6 Tape roller cpl. 5.0.4200.100

7-8 cpl. 5.0.4200.160



---

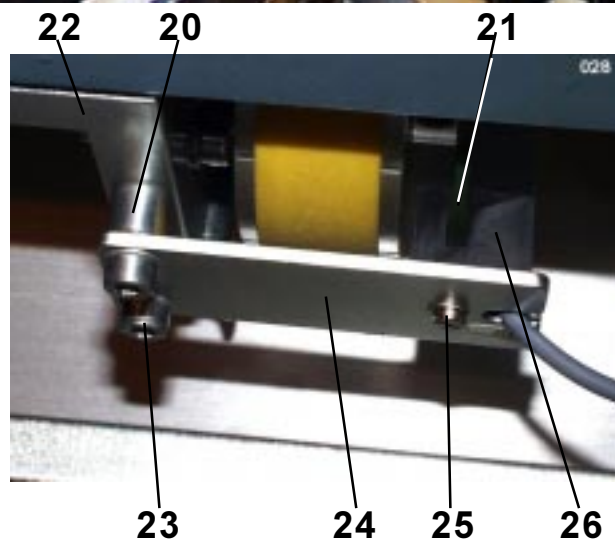
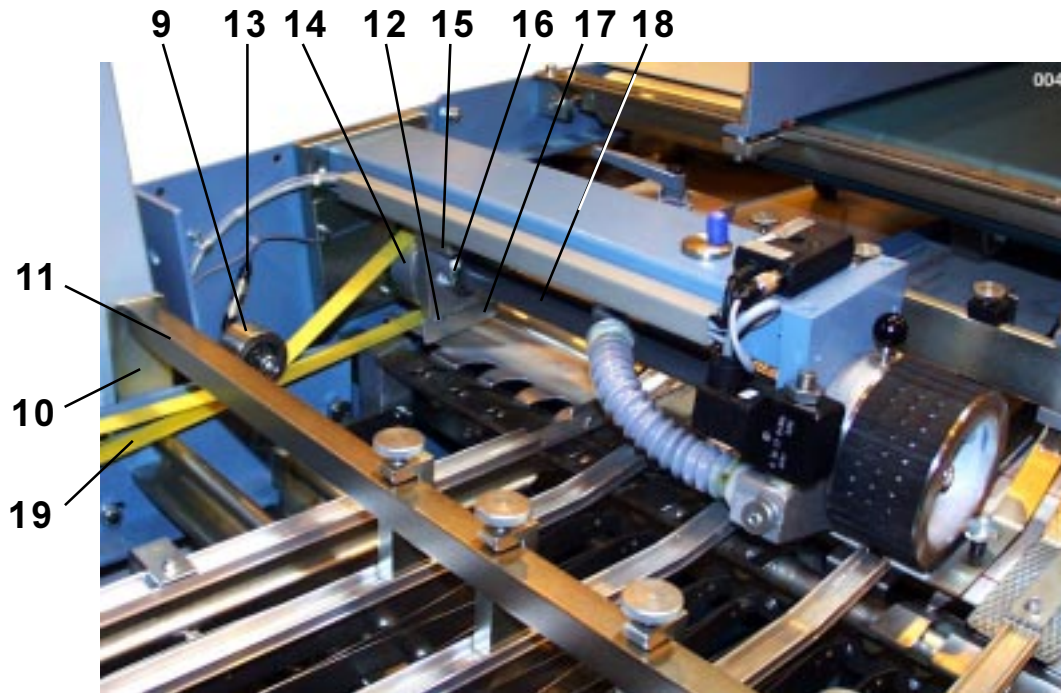
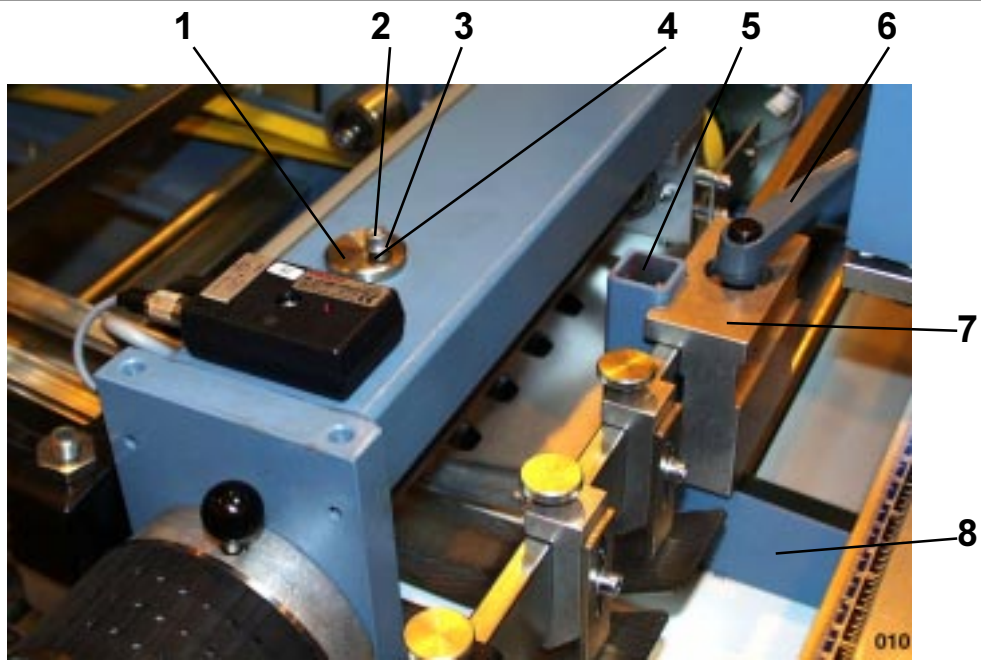
<b>01</b>	lable		No. 1	5.0.5471.051	
	lable		No. 2	5.0.5471.052	
	lable		No. 3	5.0.5471.053	
<b>02</b>	Airfilter unit		0099990		(F110)
<b>03</b>	Airfilter		0100012		(C1337)
<b>04</b>	Tube		00105028		(20 EVK 16)
<b>05</b>	Hose coupling		00084939		(R1/2"X3/4" Huenersdorff 5414)
<b>06</b>	Coupling		00084931		(Red. Nippel N4 R3/4" - R 1/2")
<b>07</b>	Airchoke		00085274		(IG 3/4" - AG 3/4" Typ 33)
<b>08</b>	Bar	B26	01.3221.18		
		B30	01.3221.19		
<b>09</b>	Bar with scale	B26	01.3300.34		
		B30	01.3300.35		
<b>10</b>	Screw		0096123.5		(M12x20 ULS)
<b>11</b>	Lever		5.0.3341.020		
<b>12</b>	Insulating plastic enclosures cpl.		00128512		(DN11 with symbolable and closing screws)
<b>13</b>	Push-buttem		00127092		(D1 A1B)
<b>14</b>	Contact block (inside)		00127035		(typ DG11)
<b>15</b>	Screw		0096131.5		(M12x25 ULS)
<b>16</b>	Support		01.3373.01		
<b>17</b>	Transport tape				(550x4660)





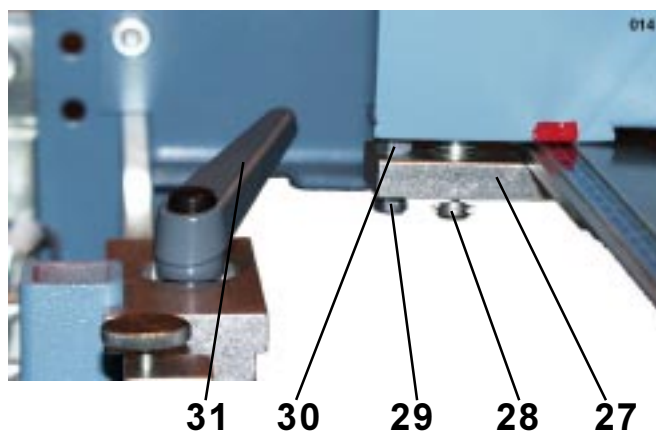
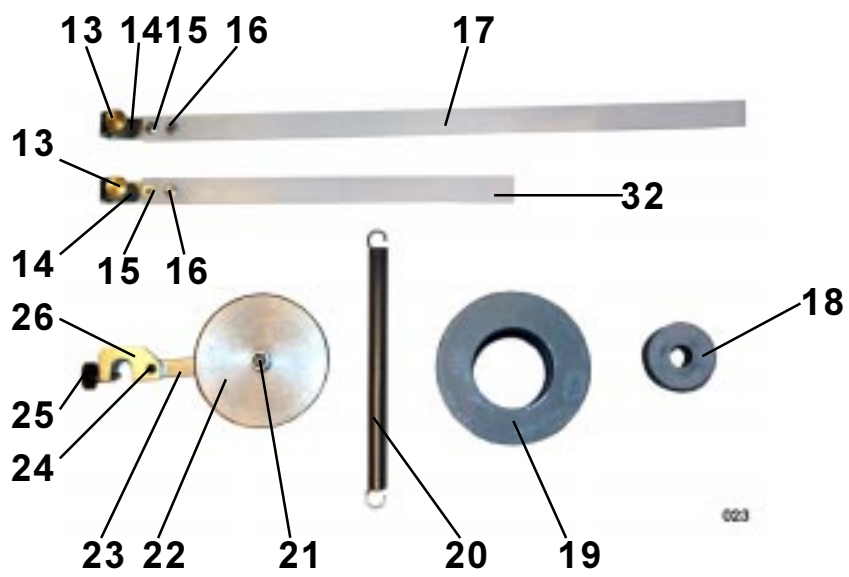
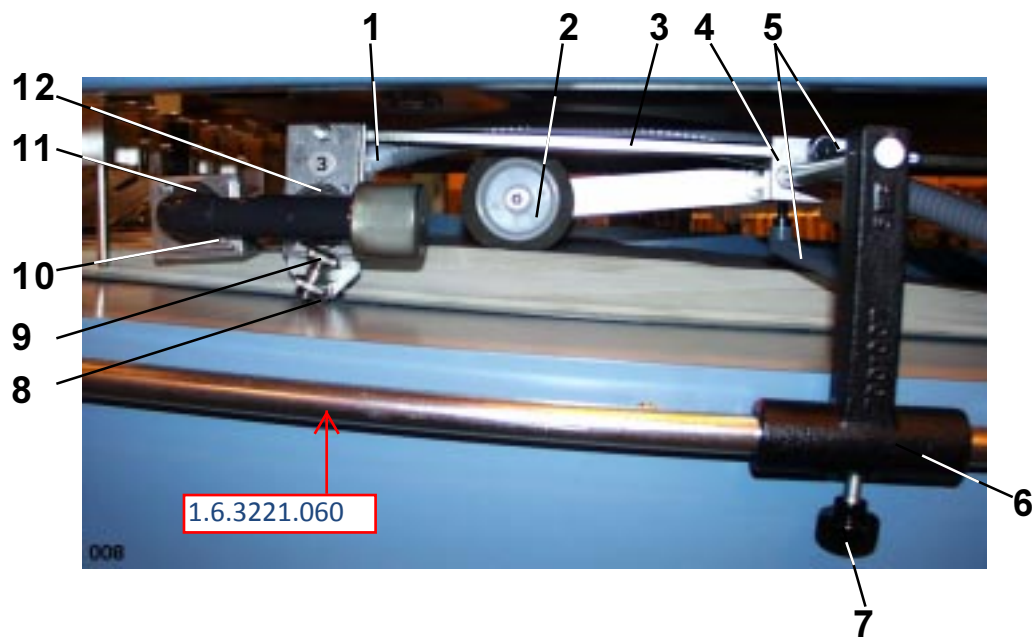
01	Lable		1.0.3571.010	
02	Knob		00100511	(37 x 6 GN 526)
03	Screw		0096077.5	(M8x45 ULS)
04	Spring		00102895	(D234-A)
05	Holder		4.0.3644.070	
06	Adjustment piece		4.0.3644.060	
07	Circlip		0094201.5	(8 DIN 6799)
08	Pin		5.0.3425.010	
09	Tape roller	<b>B26</b>	01.3221.00	
		<b>B30</b>	01.3221.01	
10	Ball bearing		00109686	(6003 2Z)
11	Shaft	<b>B26</b>	01.3221.02	
		<b>B30</b>	01.3221.03	
12	Screw		0089096.5	(M 8x65 DIN 912)
13	Bearing part		1.0.3144.020	
14	Bearing part		30 320 010	
15	Ball bearing		00109728	(6004 2Z)
16	Shaft	<b>B26</b>	01.3221.08	
		<b>B30</b>	01.3221.09	
17	Tape roller	<b>B26</b>	01.3200.31	
	front tape roller	<b>B30</b>	01.3200.32	
18	Ring		0088344.5	(A20 DIN 705)
19	Tape roller		1.23.3224.010	
20	Screw		0088781.5	(M6x10 DIN 912)
21	Collar / Ball bearing		07.3226.00/0109896	(2x 61804-2RS)

#17 rear tape roller B26 01.3200.11B  
B30 01.3200.10B

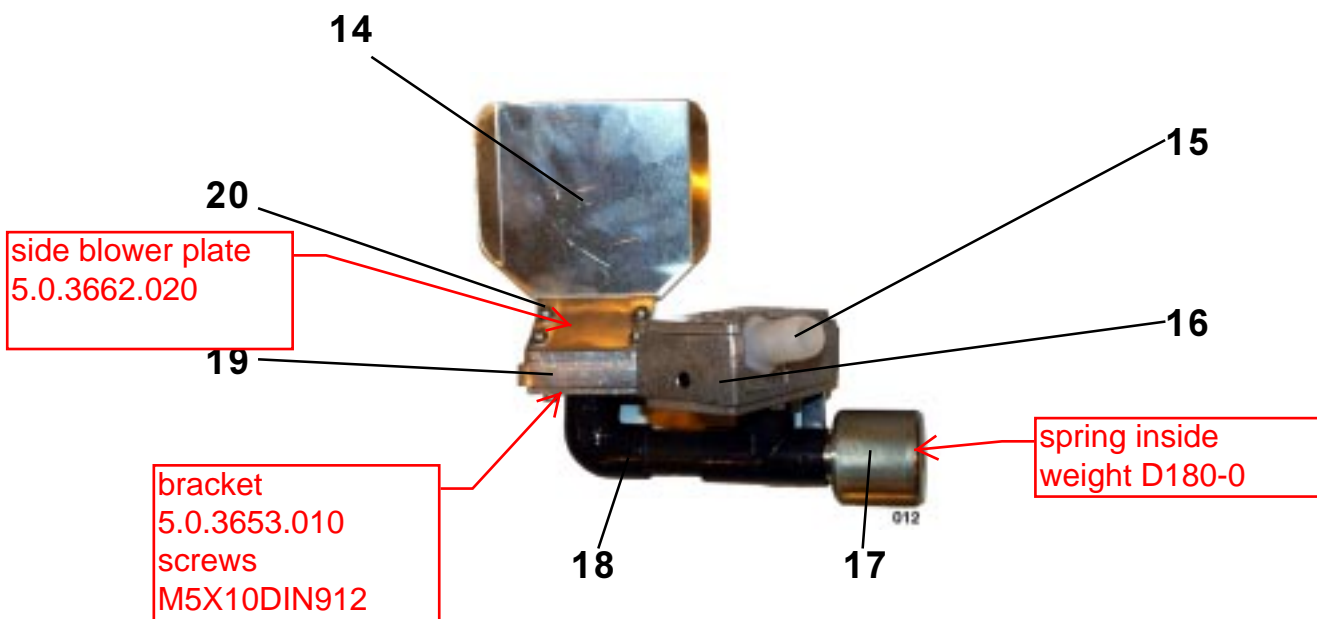
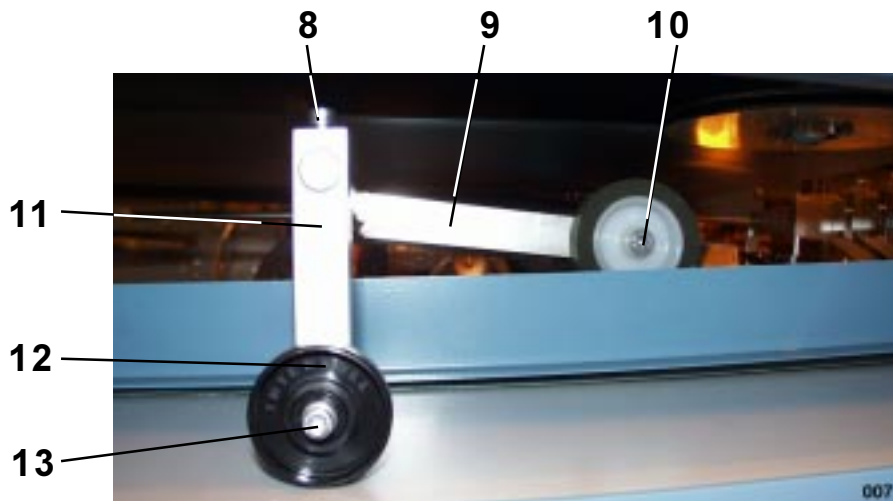
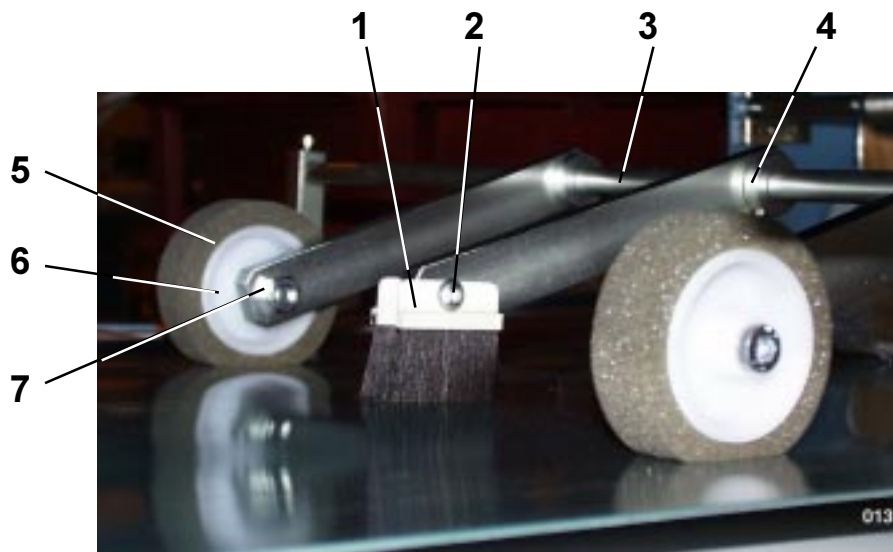


---

01	Washer	1.0.2228.310	
02	Screw	0088716.5	(M 5x30 DIN 912)
03	Washer	0086116.5	(6.4 DIN 125)
04	Spring	20 480 130	
05	Sheet stop	01.3464.00	
06	Screw	00100586	(GN 100-18M8 x 20)
07	Adjustment part	1.0.2444.320	
08	Sheet stop	01.3464.00	
09	Tape roller	70 230 042	
	Ball bearing	00109245	(6001-2Z)
10	Holder	1.0.4143.320	
11	Bar	01.4142.03	
12	Screw	0088641.5	(M5x10 DIN 912)
13	Initiator (Cable)	00131417	(GT 3.5)
14	Pulley	1.0.2232.021	
15	Bearing block	1.0.2244.311	
16	Ball bearing	00109728	(6004-2Z)
17	Guard	1.0.2262.310	
18	Tupe guard	01.2226.01	
19	Tape	00105908	(20x2300 PU11)
20	Distance	1.0.2228.340	
21	Slit washer	01.2276.00	
22	Holder	1.0.2244.311	
23	Screw	0088666.5	(M5x16 DIN 912)
24	Holder	1.0.1143.330	
25	Screw	0085613.5	(M3x8 DIN 84)
26	Initiator	00131417	(GT 3.5)

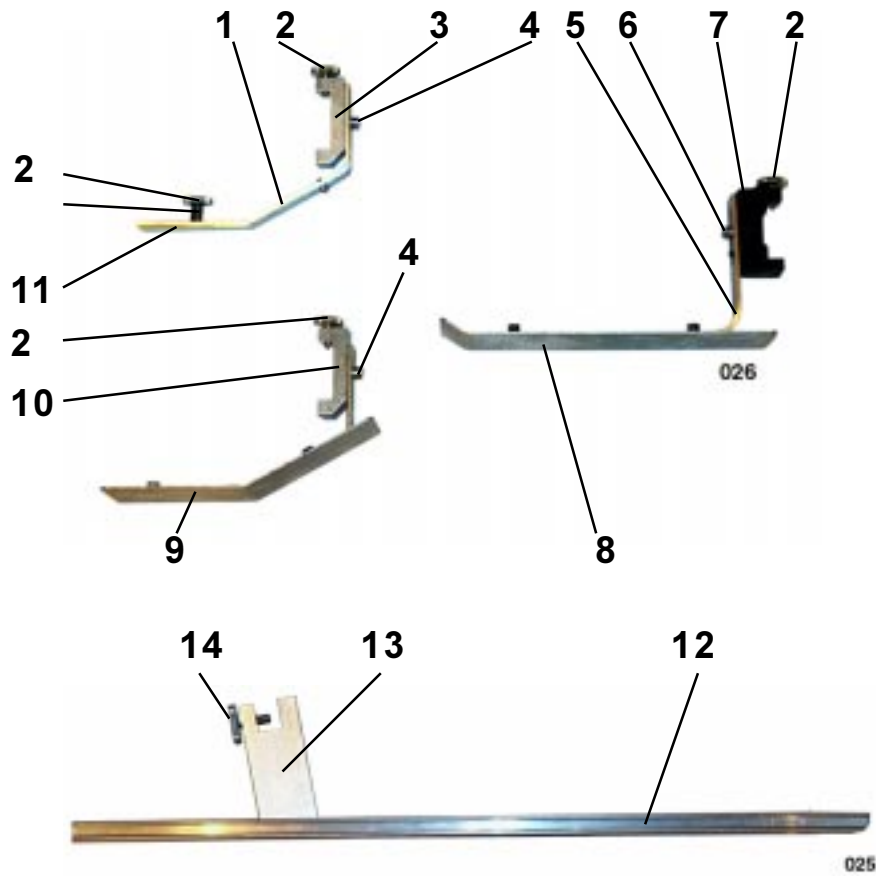


01	Tube part	00084939	(R1/2"X3/4" Huenersdorff 5414)
02	Roller	01.3200.60	
03	Bar	5.0.3621.010	
04	Holder	5.0.3644.010	
05	Screw	000100586	(GN 100-18 M 8x20)
06	Holder	1.0.3212.011	
07	Knurled screw	00095860	(M8x25 GN 421)
08	Ball bearing	00109561	(626-2Z DIN 625)
09	Knurled nut	0087148.5	(M6 DIN 467)
10	Screw	0085910.5	(M5x8 DIN 84)
11	Ball bearing	00109736	(6005-2Z-C3)
12	Holder	5.0.3615.010	
13	Screw	0087825.5	(M5x10 DIN 653)
14	Holder	2.0.3364.040	
15	Disc	0095646.5	(B3,4 DIN 9021)
16	Nut	0090837.5	(M4 DIN 934)
17	smoother	01.3202.02	
	Screw	0087825.5	(M5x10 DIN 653)
18	Airfilter	0100005.1	(C64/3)
19	Airfilter	0100013	(C1337)
20	Spring	01.3282.00	
21	Screw	0089300.5	(M12x40 DIN 912)
22	Roller	08.3211.00	
23	Holder	08.3244.08	
24	Pin	00093971	(8x32 DIN 6325)
25	Knurled screw	00095810	(M6x15 GN 421)
26	Holder	08.3244.07	
27	Holding part	<del>1.0.3343.310</del>	<b>1.0.3443.310</b>
28	Threadede bolt	80 430 030	
29	Screw	0088997.5	(M8x20 DIN 912)
30	Nut	0090878.5	(M8 DIN 934)
31	Screw	00100586	(GN 100-18 M8x20)
32	Smoother	01.3202.01	
<b>13-16+32</b>	Smoother cpl.	01.3200.19	
<b>13-17</b>	Smoother cpl.	01.3200.20	
<b>21-26</b>	Smoother cpl.	08.3200.15	

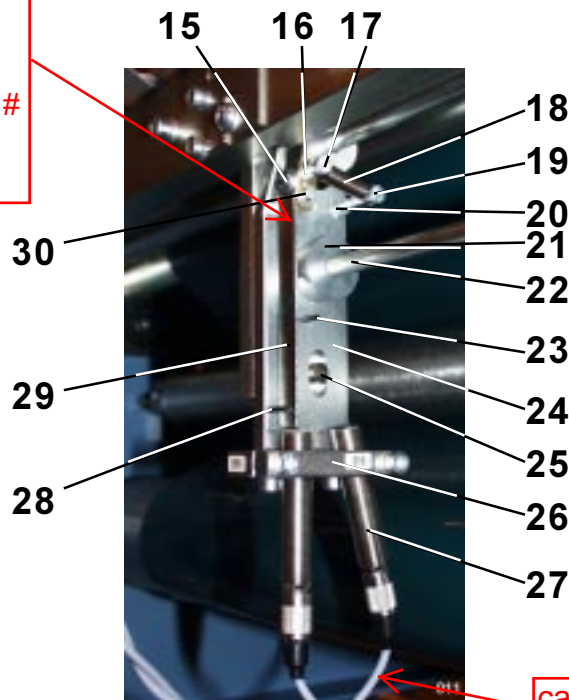


01	Brush		3.0.6943.010	
02	Screw		0096065.5	(M8x25 ULS) <span style="border: 1px solid red; padding: 2px;">NUT 0090878.5</span>
03	Bar	<b>B26</b>	01.3721.00	
		<b>B30</b>	01.3721.01	
04	Ring		01.3228.00	
05	Ring		01.3239.20	
06	Roller		<del>01.3232.20</del>	← <span style="border: 1px solid red; padding: 2px;">number changes to 5.0.3200.130</span>
07	Nut		0090894.5	(M10 DIN 934)
08	Screw		0089037.5	(M8x35 DIN 912)
09	Lever		01.3244.02	
10	Screw		0089222.5	(M10x60 DIN 912)
11	Holder		1.0.3243.012	
12	Rolle		00109504	(D48mm)
13	Screw		0088864.5	(M6x35 DIN 912)
14	Blower		5.0.3661.020	
15	Tube part		00084939	(R1/2" x 3/4" Huenersdorff 5414)
16	Holder		5.0.3615.010	
17	Weight		5.0.3629.020	
18	Blower tube		5.0.3600.270	
19	Blower holder		5.0.3615.020	
20	Screw		0085910.5	(M5x8 DIN 84)

#14-20 complete	10.3700.24
-----------------	------------



1.0.3544.010  
Bearing Block  
behind here, held  
in place by screw #  
085829.5  
M4X16DIN84

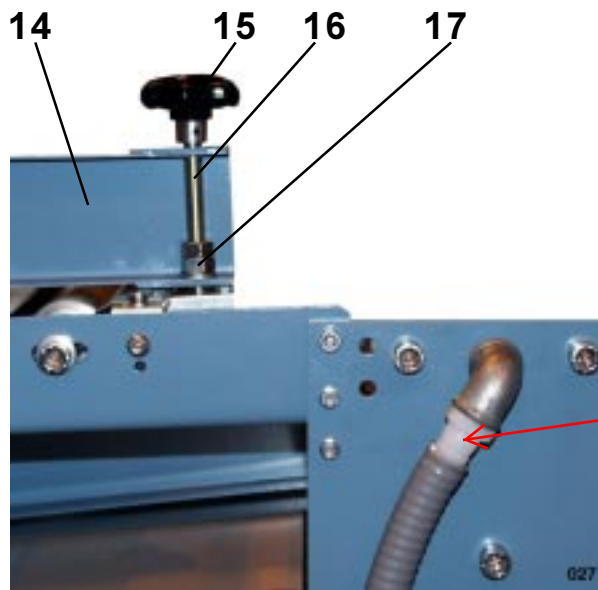
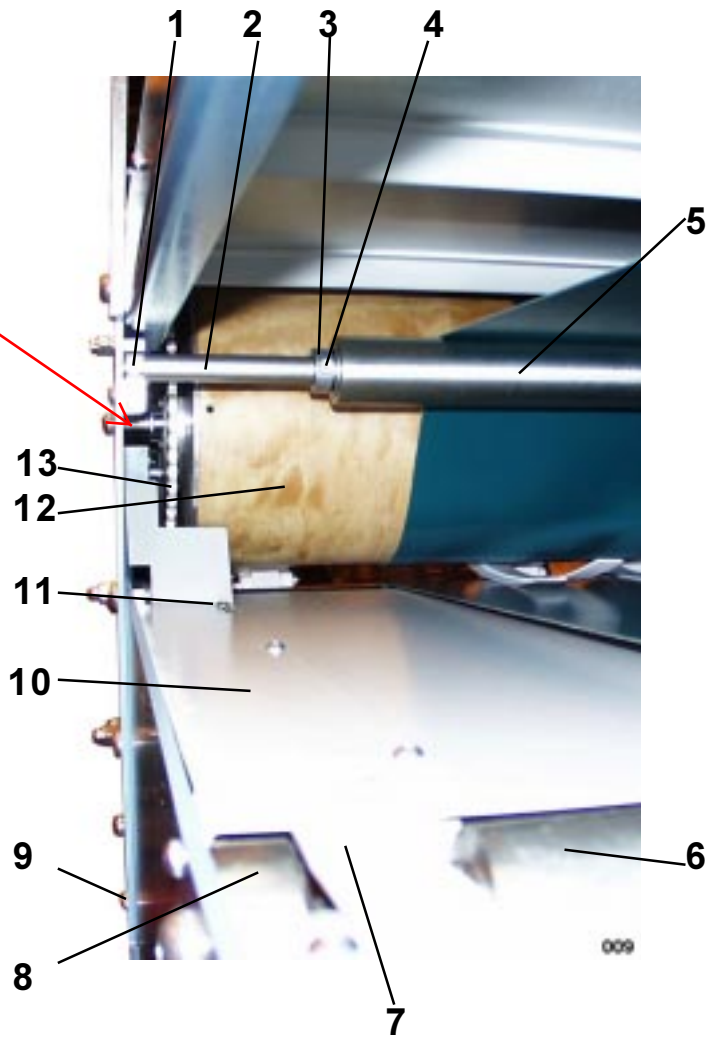


cable 05.5287.005



01	Holder		15.3485.51	
02	Knurled screw		0087858.5	(M5x15 DIN 653)
03	Holder		15.3444.51	
04	Screw		0088658.5	(M5x12 DIN 912)
05	Holder		35.2444.05	
06	Screw		0088658.5	(M5x12 DIN 912)
07	Holder		2.0.2414.010	
08	Smoother		35.2462.01	
09	Smoother		15.3485.53	
10	Holder		15.3444.51	
11	Smoother		15.3485.52	
12	Bar		1.0.3651.310	
13	Holder		1.0.3644.310	
14	Knurled screw		0087833.5	(M5x12 DIN 653)
15	Screw		0085761.5	(M4x6 DIN 84)
16	Nut		0090857.5	(M4 DIN 934)
17	Screw		0085761.5	(M4x8 DIN 84)
18	Spring		00102584	(ZO 24 A)
19	Screw		0085886.5	(M4x30 DIN 84)
20	Nut		0090857.5	(M4 DIN 934)
21	Excenter		1.0.3525.020	
22	Bar	<b>B26</b>	01.3521.00	
		<b>B30</b>	01.3521.01	
23	Pin		00093104	(2x20 DIN 1481)
24	Holder		1.0.3543.010	
25	Pin		00093955	(8M6x20 DIN 6325)
26	Holder		1.0.3543.021	
27	Inductive switch		00131425	(NT 2.8 0131425 E94)
28	Pin		00093104	(2x20 DIN 1481)
29	Switch		1.0.3562.010	
30	Bolt		1.0.3625.010	
1-4+11	Smoother cpl.		15.3400.52	
2+5-8	Smoother cpl.		1.0.2400.310	
2+4+9+10	Smoother cpl.		15.3400.53	
12-14	Smoother cpl.		01.3600.00 (6x)	

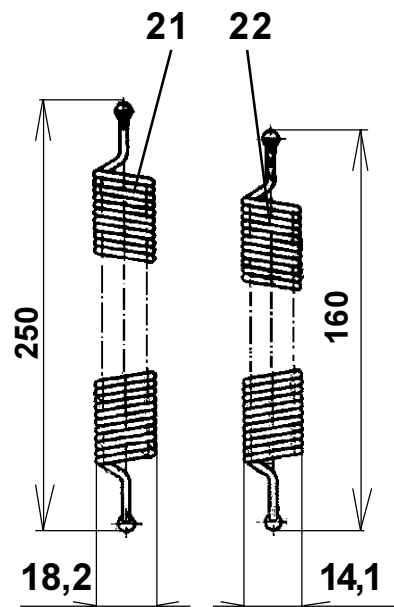
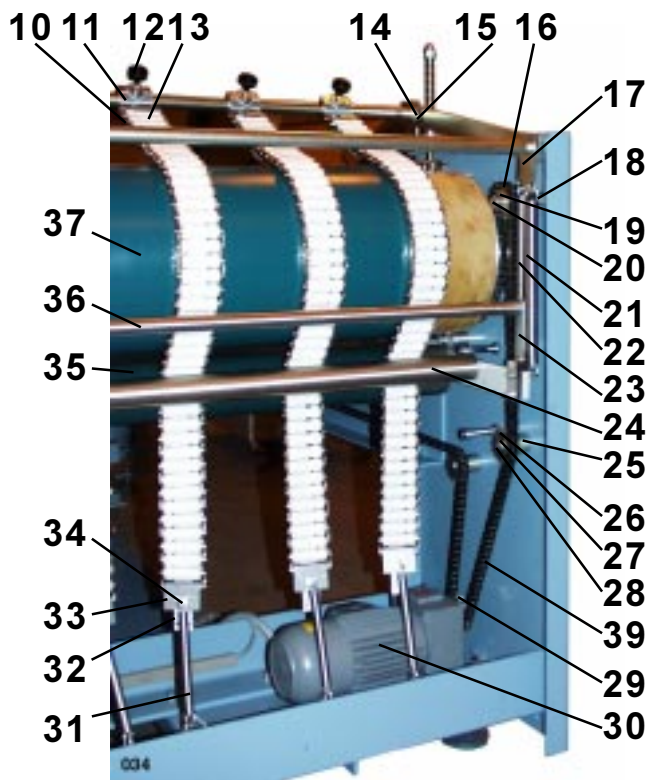
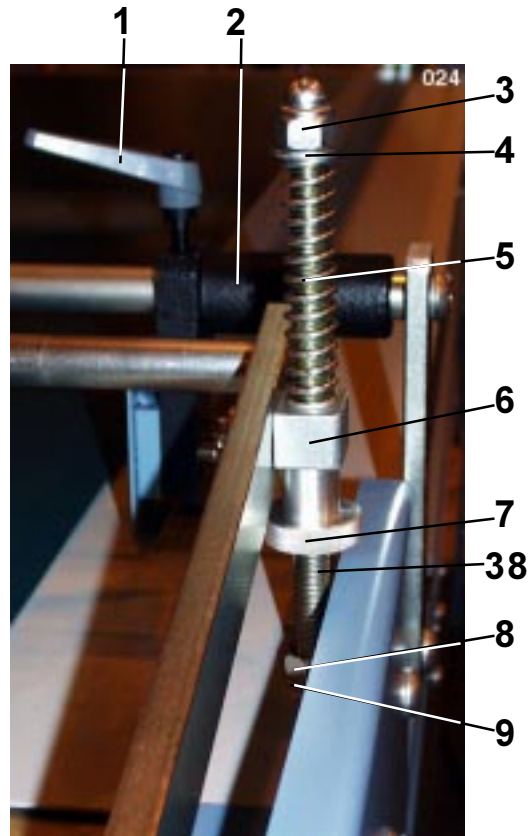
shaft B26  
01.3321.03  
shaft B30  
01.3321.04



plastic hose  
connect 5414

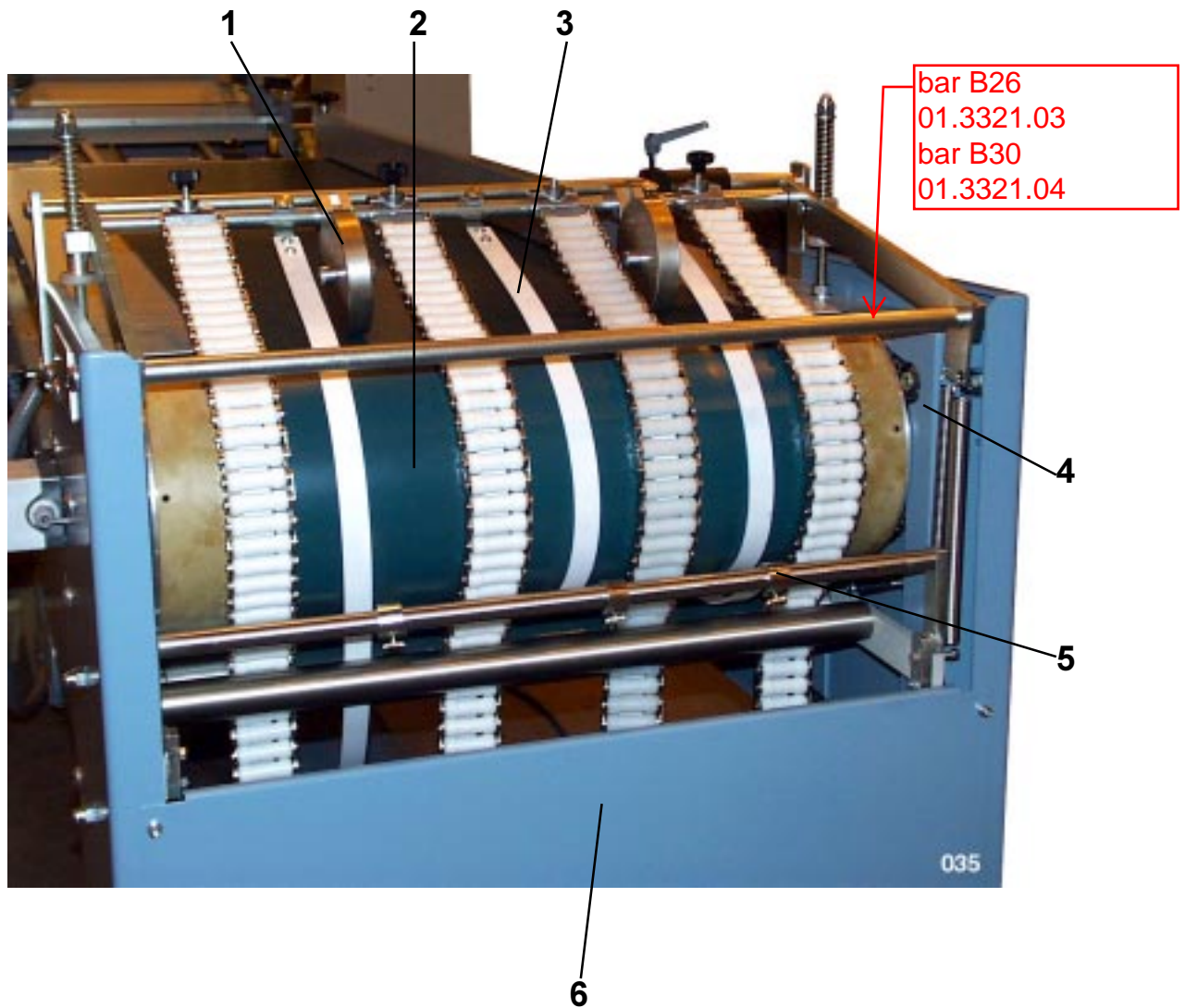
---

01	Screw		0088914.5	(M6x60 DIN 912)
02	Shaft	<b>B26</b>	01.3321.05	
		<b>B30</b>	01.3321.06	
03	Ring		0088344.5	(A 20 DIN 705)
04	Screw		0088781.5	(M6x10 DIN 912)
05	Tape roller		1.23.3224.010	
06	Tape roller	<b>B26</b>	01.3224.03	
		<b>B30</b>	01.3224.04	
07	Guard		01.3162.00	
08	Ball bearing		00109728	(6004 2Z)
09	Screw		0095992.5	(M6x16 ULS)
10	Guard		01.3261.00	
11	Screw		0095984.5	(M6x12 ULS)
12	Tape roller	<b>B26</b>	01.3332.00	
		<b>B30</b>	1.7.3332.040	
13	Chain wheel		1.0.3335.330	
14	Sheet stop		01.3464.02	
15	Star grip		00101881	(GN 6336.1-63-M12-E)
16	Screw		80 430 030	
17	Nut		0090910.5	(M12 DIN 934)
11-13	Drumm cpl.	<b>B26</b>	01.3300.30	
		<b>B30</b>	01.3300.31	



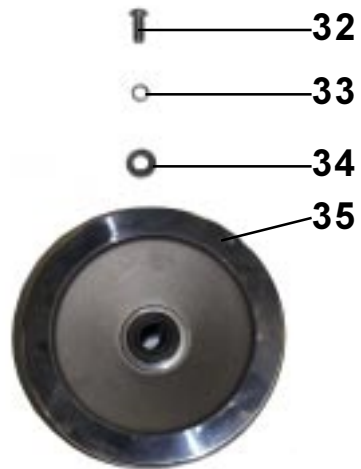
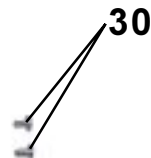
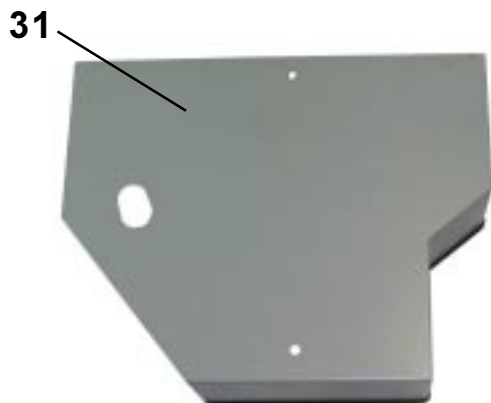
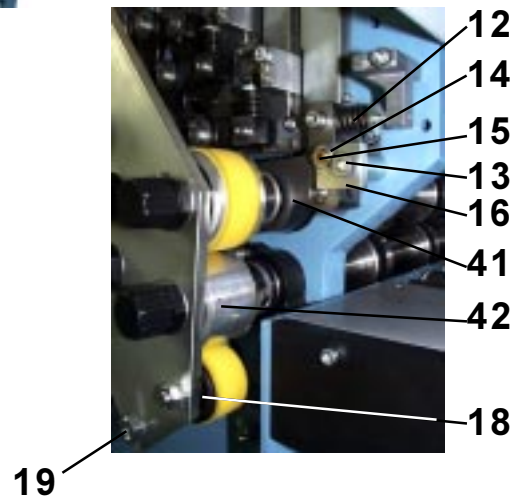
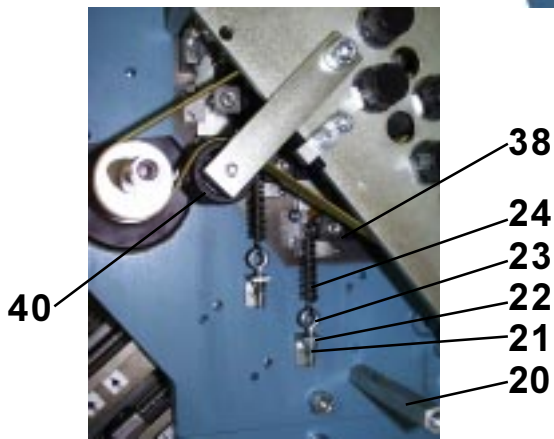
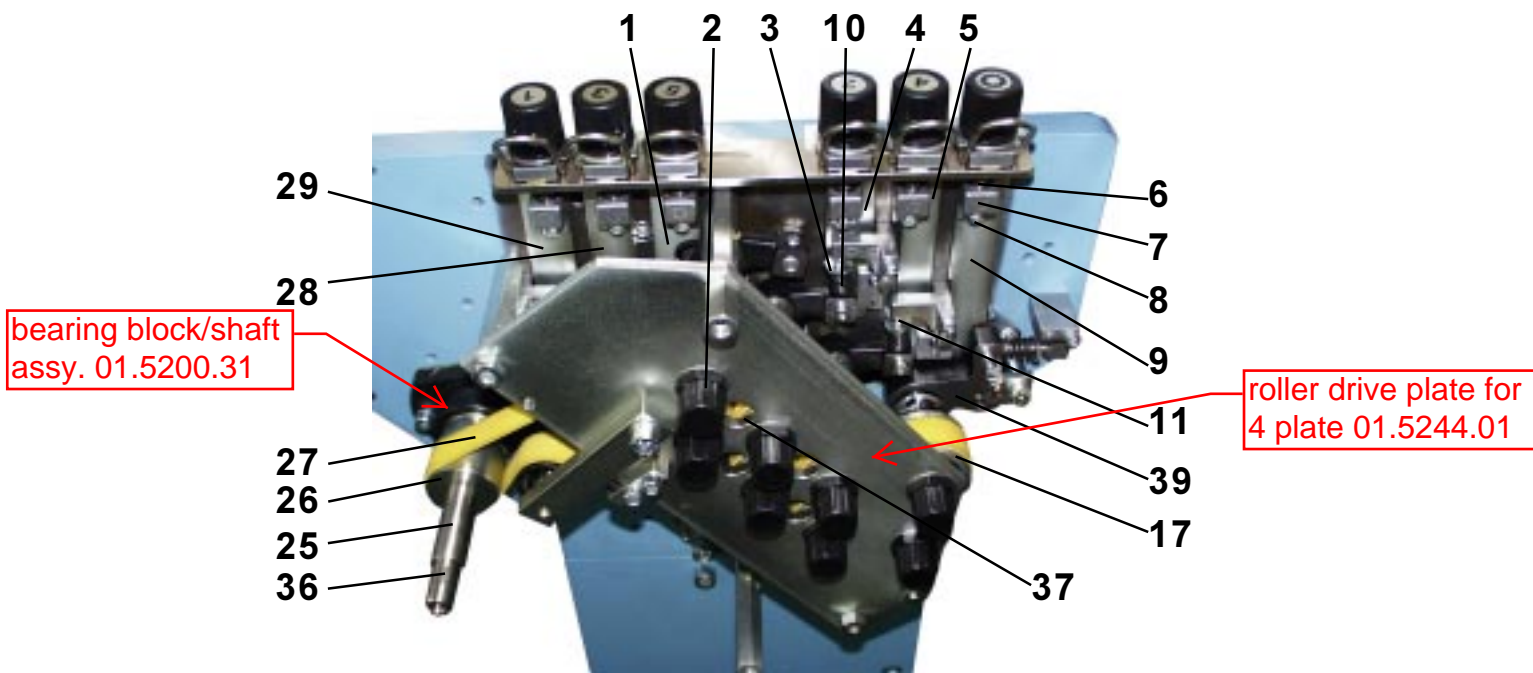
01	Screw		00100586	(GN 100-18 M 8x20)
02	Holder		1.0.3464.010	
03	Nut		0092171.5	(M12 DIN 986)
04	Washer		0086215.5	(13 DIN 125)
05	Compression spring		0103011	(D282)
06	Holder		5.0.3344.020	
07	Nut		5.0.3329.010	
08	Nut		0090910.5	(M12 DIN 934)
09	Washer		0086215.5	(13 DIN 125)
10	Chain link		08.3207.00	(Iwis no. 3 Steckglied)
11	Holder		08.3244.02	
12	Screw		00100586	(GN 100-18 M 8x20)
13	Roller		08.3526.00	
14	Clips		00087205	(15x1 DIN 471)
15	Disc		00092312	(15x22x1.0 DIN 988)
16	Bolt		1.0.3325.310	
17	Holder		01.3244.06	
18	Lever		1.0.3343.360	
19	Sprocket	20 260 080 /	00111351	(20x26x20 DIN 1850)
20	Screw		0089318.5	(M12x45 DIN912)
21	Spring		01.3282.01	
22	Spring		01.3282.00	
23	Holder		01.3264.02	
24	Shaft		1.7.3221.040	
		<b>B26</b>	01.3221.07	
		<b>B30</b>	01.3225.00	
25	Bolt		01.3225.00	
26	Sprocket	20 260 080 /	00111351	(20x26x20 DIN 1850)
27	Clips		00087247	(20x1,2 DIN 471)
28	Disc		00092429	(20x1 DIN 988)
29	Sprocket		1.0.3135.310	
30	Motor		0104178	(Ruhrgetriebe NDK 9462 300:1)
31	Spring		01.3282.00	
32	Tape		01.3200.17	
33	Holder		08.3244.04	
34	Screw		0095406.5	(M6x16 DIN 7991)
35	Tape roller cpl.	<b>B26</b>	01.3200.11	
		<b>B30</b>	01.3200.10	
36	Bar	<b>B26</b>	1.7.3321.040	
		<b>B30</b>	01.3321.07	
37	Transporttape		0107063	(550x4405 endlos PVC-hart)
38	Adjusting screw		5.0.3325.020	
40	Chain cpl.		01.3200.05	

#39 Part #0109010  
(1/2X5/16X444)



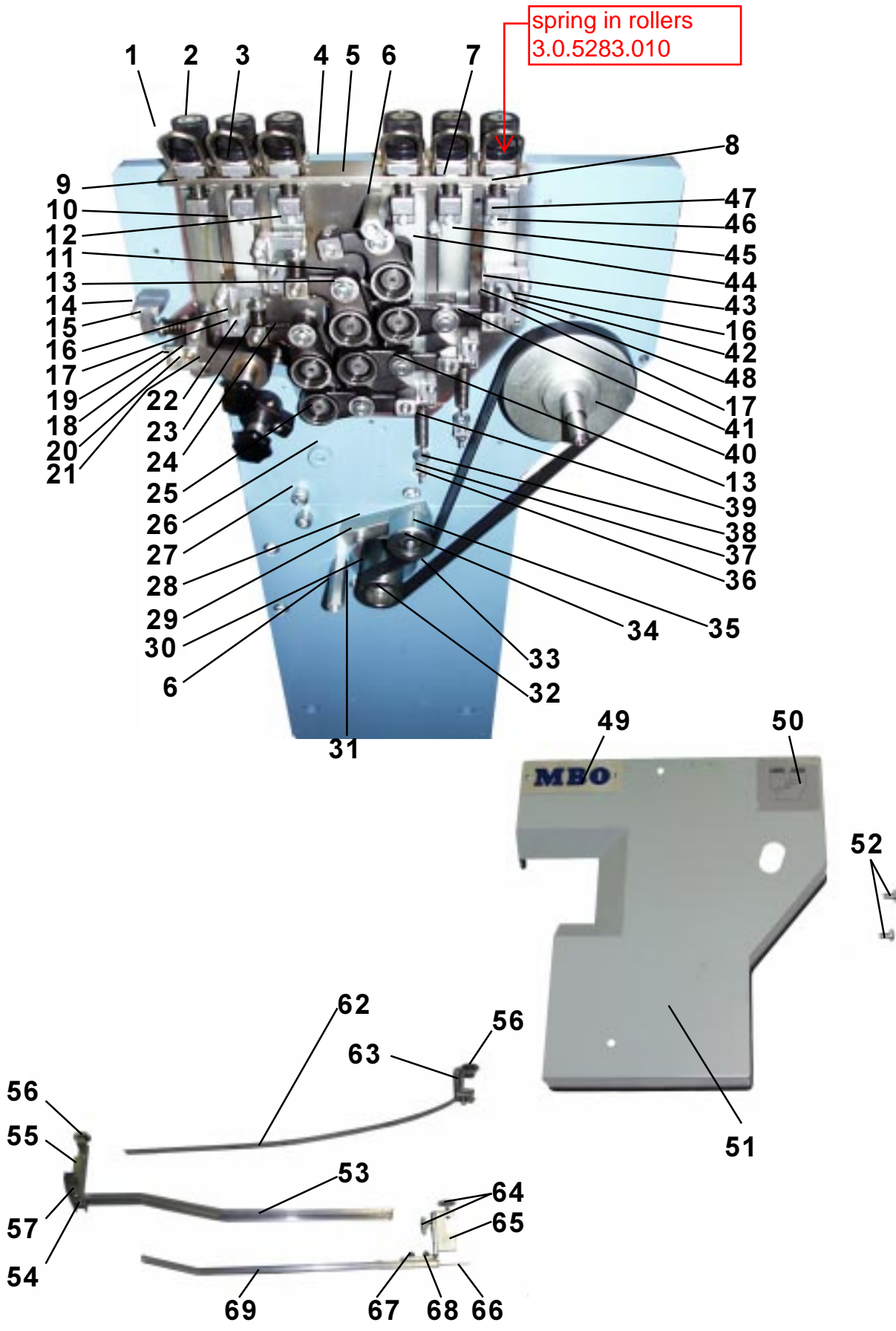
---

<b>01</b>	Roller cpl.	08.3200.15	
<b>02</b>	Tape	0107063	(550x4405 endlos PVC-hart)
<b>03</b>	Smoother	01.3200.20	
<b>04</b>	Guard	1.0.3161.320	
<b>05</b>	Smoother	01.3200.19	
<b>06</b>	Guard	01.3161.01	

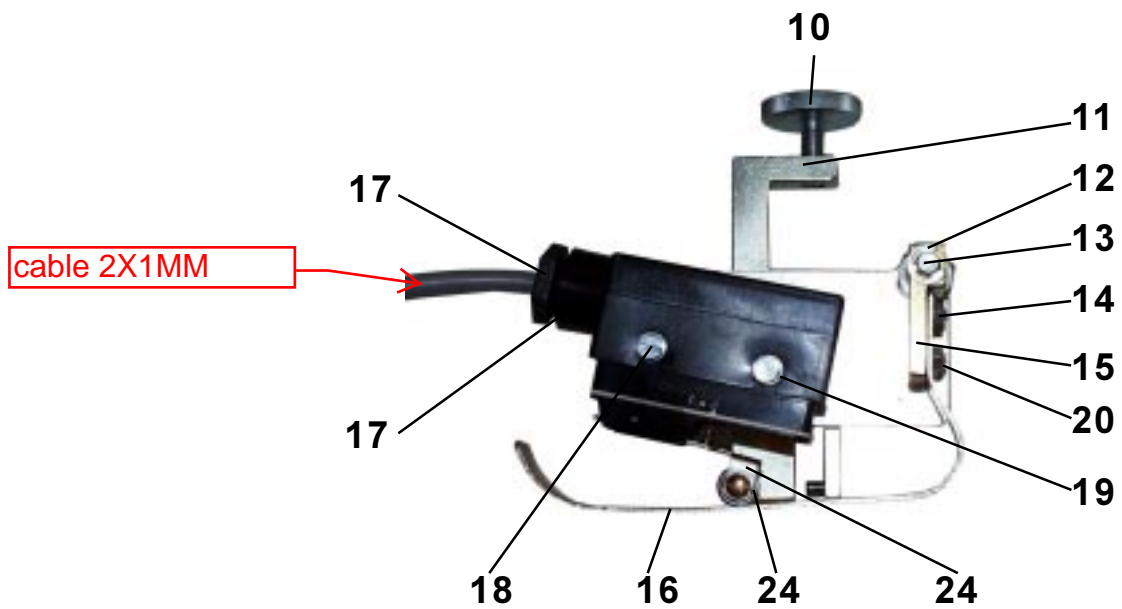
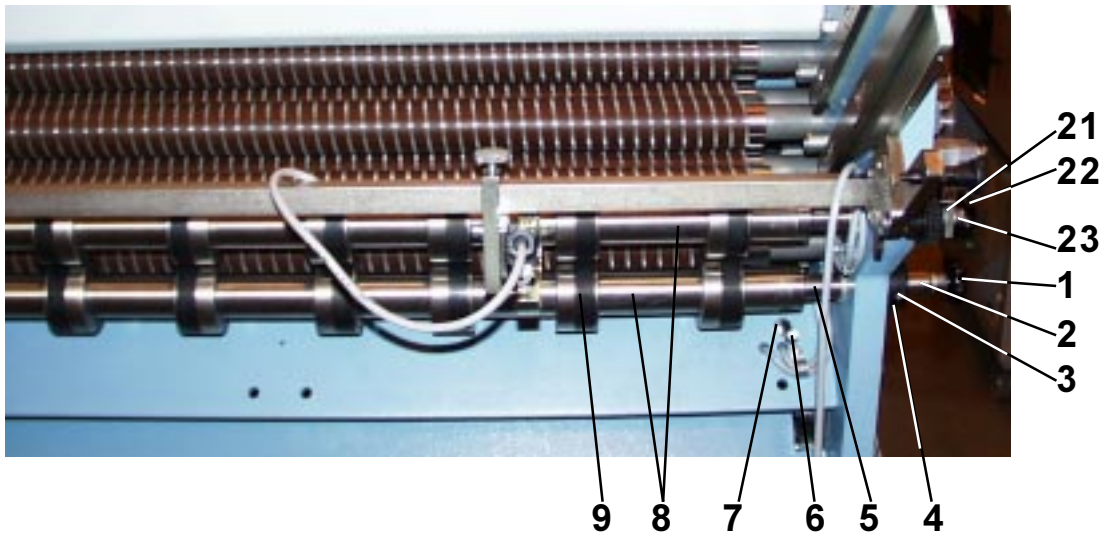




01	Adjustment part	01.5444.09	
02	Tape roller	4.0.5232.030	
03	Adjustment screw	5.0.5325.061	
04	Adjustment part	1.0.5444.401	
05	Adjustment part	01.5444.06	
06	Spring	00102889	(D 218)
07	Adjustment screw	1.0.5415.300	
08	Screw	0088799.5	(M6x12 DIN 912)
09	Adjustment part	01.5444.03	
10	Spring	00102913	(D252 A2)
11	Nut	0090852.5	(M6 DIN 934)
12	Spring	50 480 080	
13	Screw	0089045.5	(M8x40 DIN 912)
14	Nut	0090878.5	(M8 DIN 934)
15	Screw	0089702	(M8x12 MS DIN 913)
16	Holder	5.0.5343.011	
17	Tape roller	4.0.5232.010	
18	Tape roller	00111781	(INA V56 202)
19	Bolt	1.0.5125.060	
20	Bolt	1.0.5125.320	
21	Nut	0090845.5	(M5 DIN 934)
22	Angle	1.0.5443.300	
23	Hook	00101428.5	(M5x30 GR.NO. 07300237-01)
24	Spring	00102699	(Z-130 M)
25	Distance	01.5228.00	
26	Pulley	1.0.5232.350	
27	Flat belt	00106260	(25x1,3x1540 4 Plates)
		00106211	(25x1,3x1290 2 Plates)
28	Adjustment part	01.5444.08	
29	Adjustment part	1.0.5444.421	
30	Screw	0086017.5	(M 10x16 DIN 85)
31	Guard	01.5161.02	(4 Plates)
		01.5161.00	(2 Plates)
32	Screw	0096057.5	(M8x20 ULS)
33	Circlip	0101550.5	(S8 Schnorr)
34	Washer	0095083.5	(8.4 DIN 7349)
35	Handwheel	00111906	(ZI 160 x 16)
36	Key	00094318	(5x5x12 DIN 6885)
37	Lever	1.0.5312.360	
38	Lever	1.0.5312.350	
39	Lever	1.0.5312.310	
40	Screw	0089722.5	(M8x30 DIN 913)
41	Bearing lever cpl.	1.0.5300.380	
42	Bearing lever cpl.	1.0.5300.370	



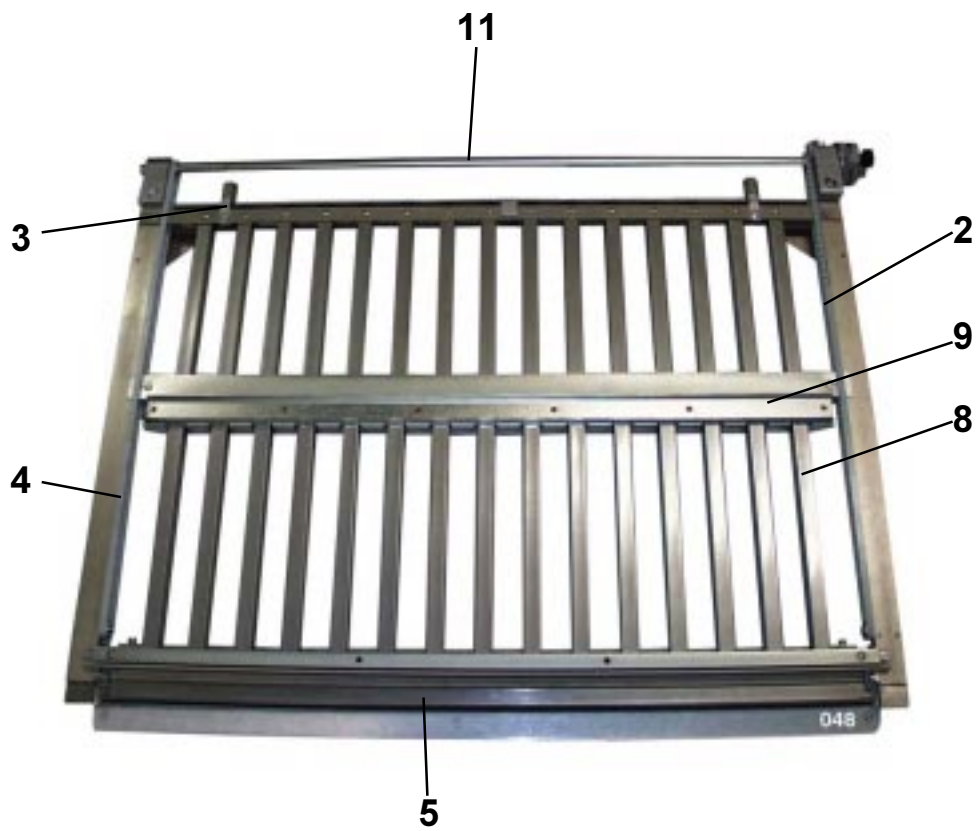
01	Spring	2.0.5486.010		
02	Adjustment nut	1.0.5416.320		
03	Bearing block	1.0.5415.320		
04	Angle	01.5444.01	(4 Plates)	
		01.5444.00	(2 Plates)	
05	Screw	0088989.5	(M8x16 DIN 912)	
06	Bolt	1.0.5125.340		
07	Spring	00102889	(D 218)	
08	Screw	1.0.5415.300		
09	Adjustment part	01.5444.03		
10	Adjustment part	01.5444.06		
11	Circlip	00101592	(12 SX N 09)	
12	Adjustment part	1.0.5444.401		
13	Bolt	1.0.5325.360		
14	Screw	0088880.5	(M6x45 DIN 912)	
15	Holder	1.0.5415.310		
16	Screw	0095992.5	(M6x16 ULS)	
17	Pin	0092928.5	(M6x16 DIN 1474)	
18	Screw	0089702	(M8x12 MS DIN 913)	
19	Screw	0089045.5	(M8x40 DIN 912)	
20	Holder	5.0.5343.011		
21	Pin	50 340 230		
22	Holder	1.0.5444.300		
23	Bolt	1.0.5325.011		
24	Lever	1.0.5312.331		
25	Ball bearing	00109678	(6002-2RS)	
26	Screw	00096339	(M12x16 h 8x40 UPS)	
27	Screw	0089326.5	(M12x50 DIN 912)	
28	Lever	3.0.6243.100		
29	Screw	0089011.5	(M8x30 DIN 912)	
30	Screw	0090464.5	(M8x16 DIN 933)	
31	Screw	0088864.5	(M6x35 DIN 912)	
32	Pulley	1.0.5233.011		
33	Poly-V-belt	00107565	(380 J8 Parallel unit)	
		00107839	(400 J8 8/16 Page unit)	
		00107540	(340 J8 32 Page unit 2 plates)	
		0089037.5	(M8x35 DIN 912)	
34	Screw	1.0.5232.330		
35	Pulley	00111799		cpl.
	Ball bearing	00111799	F80 291 INA	1.0.5200.350
36	Spring	00101428.5	(M5x30 GR.NO. 07300237-01)	
37	Nut	0090845.5	(M5 DIN 934)	
38	Angle	1.0.5443.300		
39	Spring	00102699	(Z-130 M)	
40	Pulley	1.0.5233.020		
41	Lever	1.0.5312.341		
42	Holder	1.0.5444.310		
43	Screw	5.0.5325.061		
44	Adjustment part	01.5444.09		
45	Adjustment part	01.5444.08		
46	Adjustment part	1.0.5444.421		
47	Screw	0088799.5	(M6x12 DIN 912)	
48	Spring	00102913	(D252 A2)	
49	Shield	50 670 070		
50	Shield	1.0.5172.010		
51	Guard	01.5161.03	(4 Plates)	
	Guard	01.5161.01	(2 Plates)	
52	Screw	0086017.5	(M10x16 DIN 85)	
53	Smoother	5.0.7151.020		
54	Screw	0096008.5	(M6x20 ULS)	cpl. P. unit 1.0.7400.310
55	Holder	4.0.7144.020		8 page unit 1.0.7400.300
56	Knurled screw	0087882.5	(M6x12 DIN 653)	16 page unit 1.0.7400.310
57	Smoother	1.0.7351.320		
58	Smoother	70 530 090		
59	Screw	0088641.5	(M5x10 DIN 912)	
60	Holder	60 520 052		
61	Knurled screw	0087833.5	(M5x12 DIN 653)	
62	Smoother	77 533 010		
	Smoother	76 533 010		
	Smoother	01.7385.00		
63	Holder	60 500 140		
64	Knurled screw	0087908.5	(M6x20 DIN 653)	
65	Holder	70 500 260		
66	Smoother	0 530 070		
67	Holder	70 490 390		cpl. 70 050 231
68	Screw	0085951.5	(M5x16 DIN 84)	
	Nut	0090845.5	(M5 DIN 934)	
69	Smoother	70 530 050		



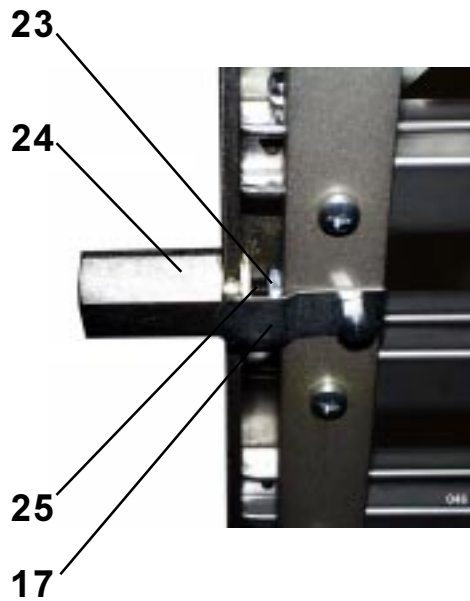
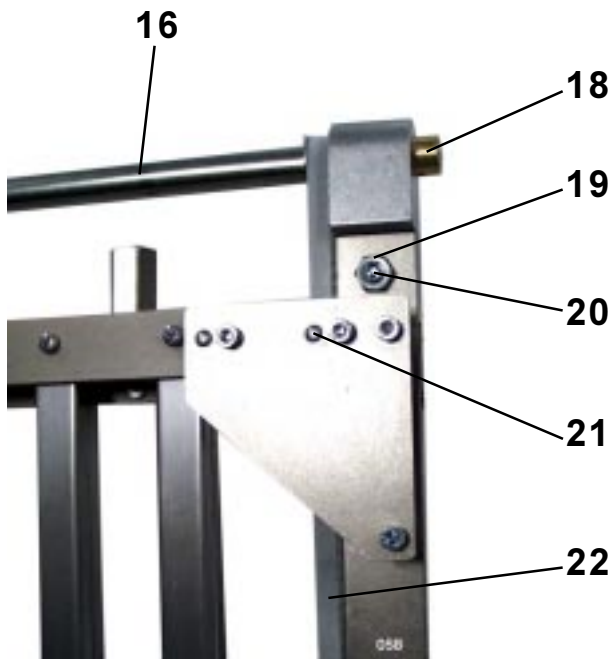
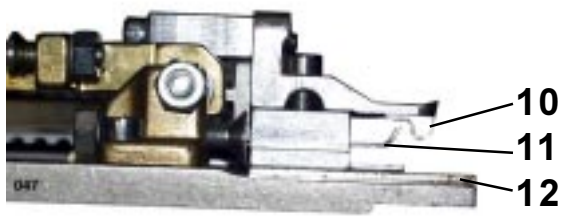
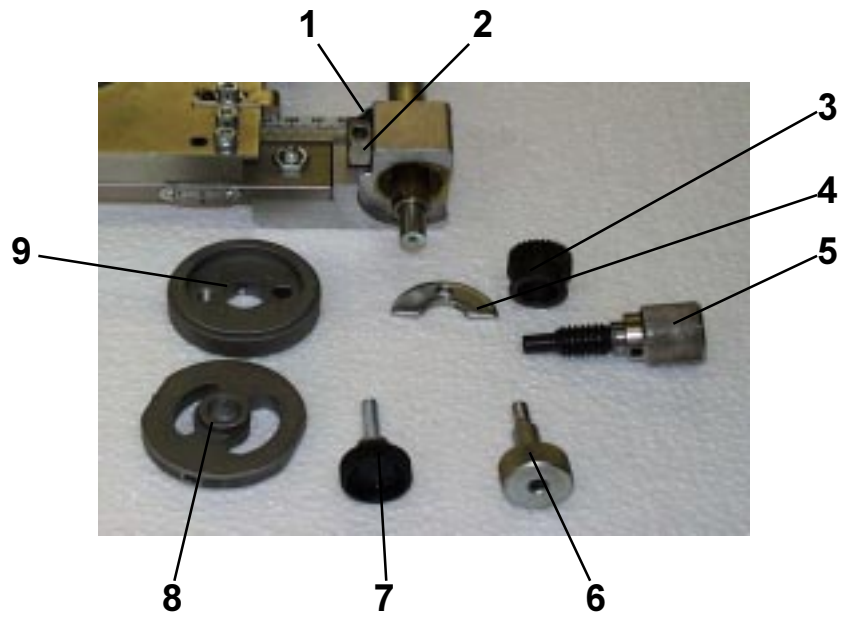
---

01	Star grip	00101857	(GN 6336.1-40-M8-E)
02	Bolt	1.0.5325.380	
03	Screw	50 370 040	
04	Bearing bush	5.0.5312.102	
05	Ball bearing	00109652	(6002-2Z)
06	Holder	1.0.5125.300	
07	Nut	0090878.5	(M8 DIN 934)
08	Perforating shaft	01.5323.02	<b>B30 slitter shaft</b>
09	Roller	01.5339.00	
10	Knurled screw	0087882.5	(M6x12 DIN 653)
11	Holder	01.5544.00	
12	Circlip	0094169.5	(4 DIN 6799)
13	Bolt	20 340 130	
14	Nut	0090811.5	(M3 DIN 934)
15	Bearing part	4.0.5544.110	
16	Switch part	4.0.5585.060	
17	Guard	00126615	(APB-PG-9-11)
18	Screw	0085738.5	(M3x25 DIN 84)
19	Washer	0086082.5	(3,2 DIN 125)
20	Screw	0091629.5	(M3x8 DIN 963)
21	Lever	1.0.5312.320	
22	Star grip	00101857	(GN 6336.1-40-M8-E)
23	Bolt	1.0.5325.380	
24	Microswitch	00126565	(BZ2RW 82255-A2)
<b>1-4</b>	Bearing plug cpl.	1.0.5300.320	
<b>11-20</b>	Jam detector	01.5500.08	
<b>21-23</b>	Bearing plug cpl.	1.0.5300.310	

**#8 B26 Slitter Shaft 01.5323.01**

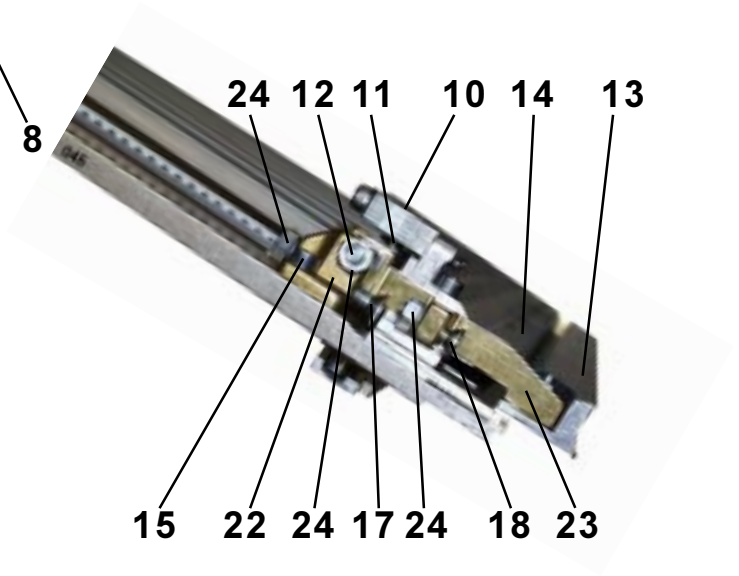
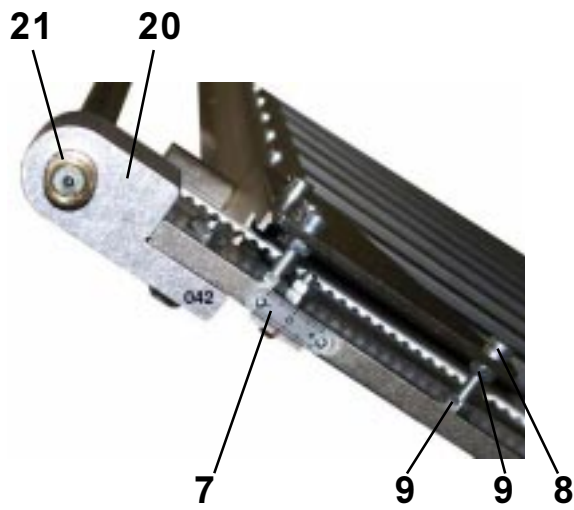
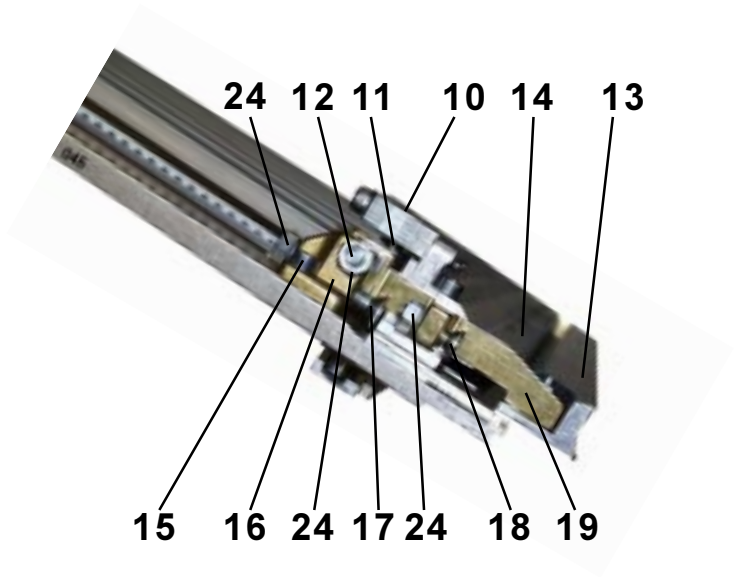
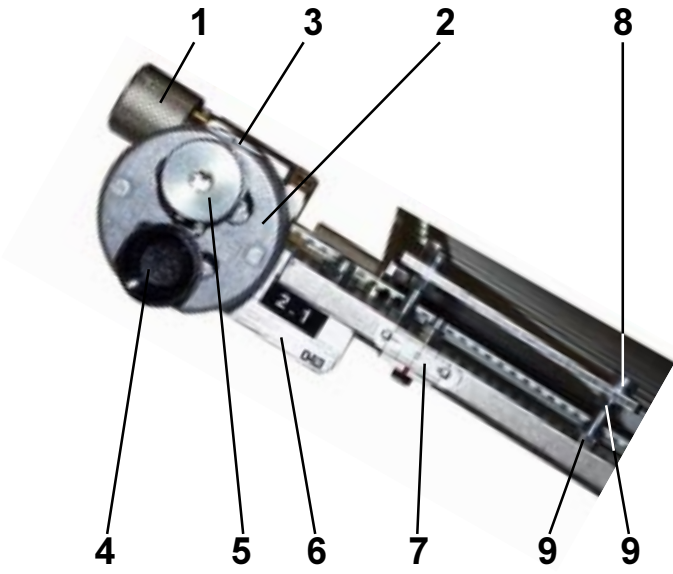


<b>01</b> Holder			50 700 010 top buckle plate
Holder			50 700 020 bottom buckle plate
<b>02</b> Scale belt par. unit buckle plate	No. 1.1 length „A“	778 mm/30 1/2"	01.5673.11 inch
			01.5673.21 mm
	No. 2.1	648 mm/25 1/2"	01.5673.10 inch
			01.5673.20 mm
	No. 1.3	488 mm/19"	01.5673.07 inch
			01.5673.17 mm
	No. 4.1	488 mm/19"	01.5673.08 inch
			01.5673.18 mm
	8p unit No. 2.1	648 mm/25 1/2"	01.5673.09 inch
			01.5673.19 mm
	No. 2.2	648 mm/25 1/2"	01.5673.10 inch
			01.5673.20 mm
	No. 2.3	488 mm/19 1/2"	01.5673.07 inch
			01.5673.17 mm
	No. 4.2	488 mm/19"	01.5673.08 inch
			01.5673.18 mm
	16p unit No. 3.1	488 mm/19"	01.5673.07 inch
			01.5673.17 mm
	No. 2.3	488 mm/19"	01.5673.08 inch
			01.5673.18 mm
	No. 3.3	488 mm/19"	01.5673.07 inch
			01.5673.17 mm
	No. 4.3	488 mm/19"	01.5673.08 inch
			01.5673.18 mm
	32p unit No. 4.1	488 mm/19"	01.5673.07 inch
			01.5673.17 mm
	No. 2.4	388 mm/15"	01.5673.06 inch
			01.5673.16 mm
<b>03</b> Flat spring			50 480 151
<b>04</b> Timing belt	Length „A“	778 mm/30 1/2"	01.5673.03
		648 mm/25 1/2"	01.5673.02
		488 mm/19"	01.5673.01
		388 mm/15"	01.5673.00
<b>05</b> Bottom plate lip		30"	01.5600.42
		26"	01.5600.41
		15"	01.5600.40
<b>06</b> Holder			2.0.5644.030
<b>07</b> Nut			50 410 021
<b>08</b> Rail	Length „A“	778 mm/30 1/2"	1.0.5652.350
		648 mm/25 1/2"	1.0.5652.340
		488 mm/19"	1.0.5652.330
		388 mm/15"	1.0.5652.320
<b>09</b> Sheet stop		30"	01.5651.02
		26"	01.5661.01
		15"	01.5661.00
<b>10</b> Deflector		30"	01.5651.07
			01.5651.11 with gluing device
		26"	01.5651.06
			01.5651.10 with gluing device
		15"	01.5651.05
<b>11</b> Bar		30"	01.5621.02
		26"	01.5621.01
		15"	01.5621.00
<b>12</b> Top plate lip		30"	01.5600.32
			01.5600.46 with gluing device
		26"	01.5600.31
			01.5600.45 with gluing device
		15"	01.5600.30
<b>13</b> Buckle rail	Length „A“	778 mm/30 1/2"	01.5641.11
		648 mm/25 1/2"	01.5641.09
		488 mm/19"	01.5641.07
<b>14</b> Buckle rail	Length „A“	778 mm/30 1/2"	01.5641.12
		648 mm/25 1/2"	01.5641.10
		488 mm/19"	01.5641.08

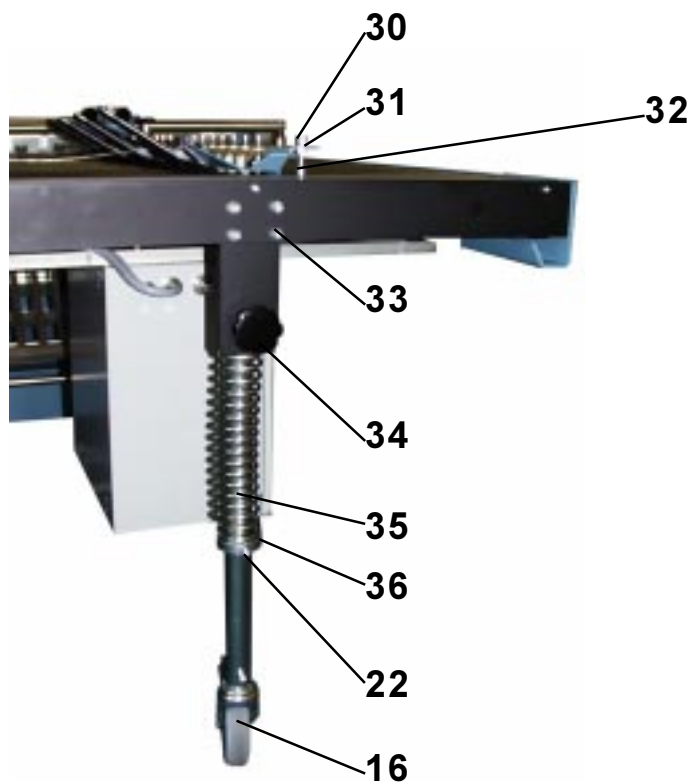
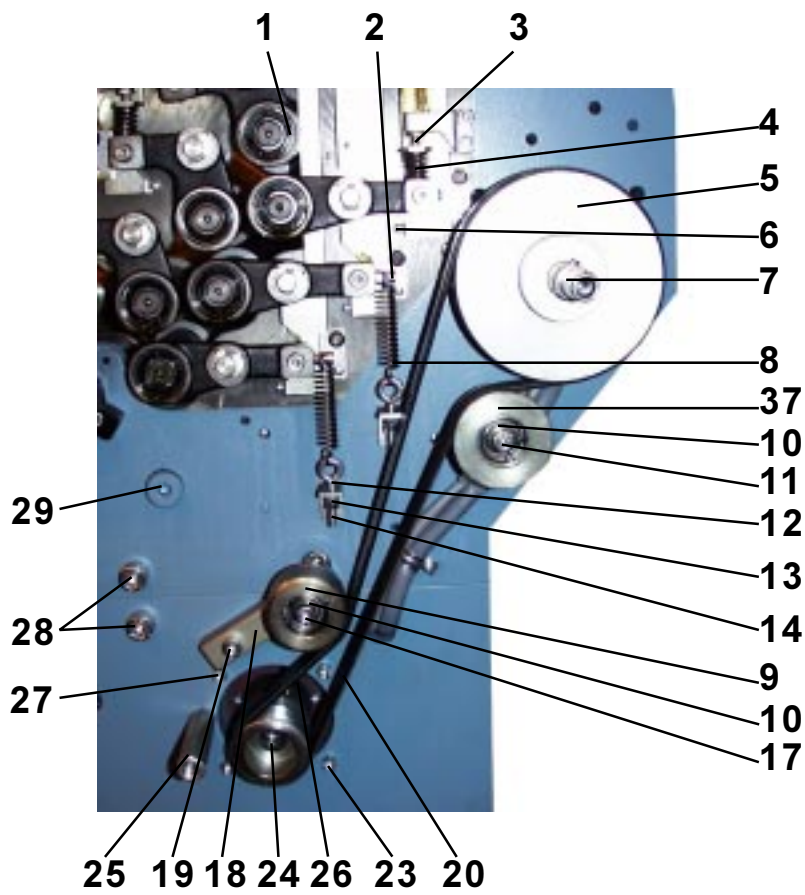




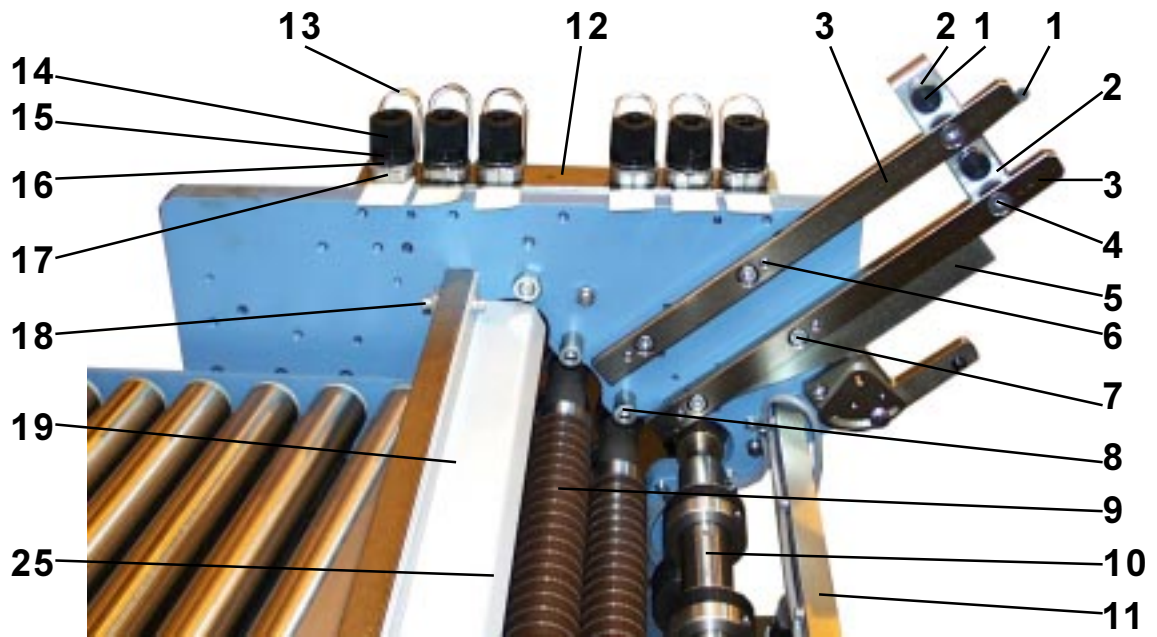
<b>01</b>	Flat spring		3.0.5686.010	
<b>02</b>	Ring		3.0.5628.060	
<b>03</b>	Worm gear		3.0.5637.010	
<b>04</b>	Washer		3.0.5628.032	
<b>05</b>	Temple ring		01.5628.01	
<b>06</b>	Screw		50 410 080	
<b>07</b>	Knurled screw		00095836	(M6x28 GN 421)
<b>08</b>	Ajustment washer		3.0.5628.020	
<b>09</b>	Ajustment washer		3.0.5628.010	
<b>10</b>	Top plate		01.5600.32	
<b>11</b>	Top plate		01.5600.37	
<b>12</b>	Bottom plate		01.5600.42	
<b>13</b>	Screw		0088823.5	(M6x20 DIN 912)
<b>14</b>	Holder		2.0.5644.041	
<b>15</b>	Holder		2.0.5644.051	
<b>16</b>	Bar		01.5621.03	
<b>17</b>	Flat spring		50 480 151	
<b>18</b>	Gear		2.0.5636.010	
<b>19</b>	Nut		0086876.5	(M8 DIN 934)
<b>20</b>	Screw		0094805.5	(M8x25 DIN 6912)
<b>21</b>	Pin		0093349	(5x10 DIN 1473)
<b>22</b>	Timing belt	Length „A“	778 mm/30 1/2"	01.5673.03
			648 mm/25 1/2"	01.5673.02
			488 mm/19"	01.5673.01
			388 mm/15"	01.5673.00
<b>23</b>	Nut		0086876.5	(M6 DIN 934)
<b>24</b>	Nut		50 410 021	
<b>25</b>	Screw		0094805.5	(M8x25 DIN 6912)



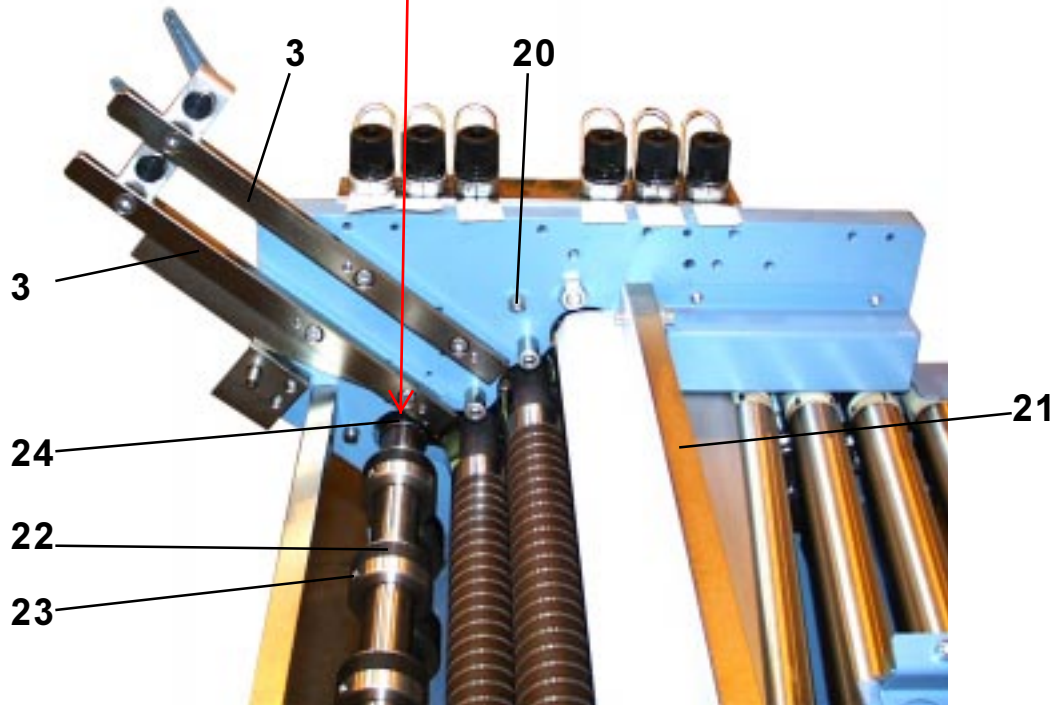
<b>01</b>	Knurled nut		01.5628.01	
<b>02</b>	Adjustment washer		3.0.5628.020	
<b>03</b>	Adjustment washer		3.0.5628.020	
<b>04</b>	Knurled screw		00095836	(M6x28 GN 421)
<b>05</b>	Screw		50 410 081	
<b>06</b>	Bearing block		50 700 010	Top buckle plate
<b>06</b>	Bearing block		50 700 020	Bottom buckle plate
<b>07</b>	Scale		50 670 010	
<b>08</b>	Screw		0088849.5	(M6x25 DIN 912)
<b>09</b>	Nut		0090845.5	(M5 DIN 934)
<b>10</b>	Screw		0095448.5	(M6x25 DIN 7991)
<b>11</b>	Spring		0102835	(D191)
<b>12</b>	Bolt		1.0.5625.010	
<b>13</b>	Deflector	30"	01.5651.07	
			01.5651.11	with gluing device
		26"	01.5651.06	
			01.5651.10	with gluing device
		15"	01.5651.05	
<b>14</b>	Top plate lip	30"	01.5600.32	
			01.5600.46	with gluing device
		26"	01.5600.31	
			01.5600.45	with gluing device
		15"	01.5600.30	
<b>15</b>	Screw		0088658.5	(M5x12 DIN 912)
<b>16</b>	Holder		1.0.5615.010	
<b>17</b>	Screw		0095463.5	(M6x35 DIN 7991)
<b>18</b>	Screw		1.0.5629.300	
<b>19</b>	Holder		1.0.5615.030	Top buckle plate
	Holder		1.0.5615.020	Bottom buckle plate
<b>20</b>	Holder		2.0.5644.030	
<b>21</b>	Bush		2.0.5636.010	
<b>22</b>	Holder		1.0.5615.010	
<b>23</b>	Holder		1.0.5615.020	Top buckle plate
	Holder		1.0.5615.030	Bottom buckle plate
<b>24</b>	Nut		0090852.5	(M6 DIN 934)



01	Ball bearing	00109678	(6002-2RS)
02	Screw	0088682.5	(M5x20 DIN 912)
03	Adjustment screw	5.0.5325.061	
04	Spring	00102913	(D252 A2)
05	Pulley	1.0.5233.020	
06	Pin	0092924.5	(M5x16 Din 1474)
07	Distance	1.0.5228.300	
08	Spring	00102699	(Z 130 M)
09	Pulley	1.0.5232.330	
10	Ball bearing	00111799	(F80 291 INA)
11	Screw	0089086.5	(M8x55 DIN 912)
12	Spring	00101428.5	(M5x30 GR.NO. 07300237-01)
13	Nut	0090845.5	(M5 DIN 934)
14	Angle	1.0.5443.300	
15	Wheel	00104588	(D80 HUFA with bearing)
16	Castor wheel	00104513	(125 RO5 Ø28x36)
17	Screw	0089037.5	(M8x35 DIN 912)
18	Lever	3.0.6243.100	
19	Screw	0089011.5	(M8x30 DIN 912)
20	Poly-V-belt	00107839	(400 J8 8/16 Page unit)
	Poly-V-belt	00107540	(340 J8 32 Page unit 2 plates)
21	Pulley	1.0.5233.011	
22	Ring	0088443.5	(A35 DIN 705)
23	Screw	0088864.5	(M6x35 DIN 912)
24	Main motor	0103932	(0,75 kw)
25	Bolt	1.0.5125.340	
26	Screw	0090646.5	(M8x16 DIN 933)
27	Screw	0088864.5	(M6x35 DIN 912)
28	Screw	0089326.5	(M12x50 DIN 912)
29	Screw	00096339	(M12x16 h 8x40 UPS)
30	Nut	0090845.5	(M8 DIN 917)
31	Nut	0090878.5	(M8 DIN 934)
32	Screw	0089037.5	(M8x35 DIN 912)
33	Screw	0089003.5	(M8x25 DIN 912)
34	Star grip	00101857	(M8x18) / 50 370 044
35	Spring	70 480 010	
36	Screw	0088989.5	(M8x16 DIN 912)
37	Pulley	1.0.5232.380	

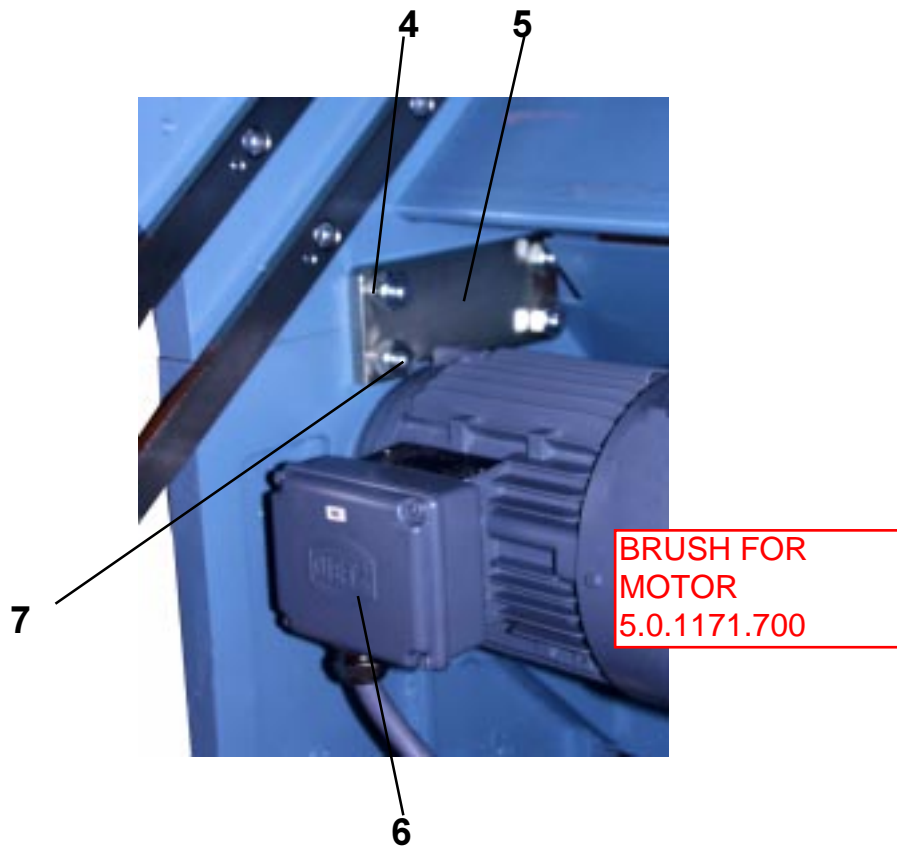


SHAFT RECEPTACLE  
#1.0.5325.041



01	Lever	5.0.5125.010	
02	Spring	2.0.5681.010	
03	Buckle bar	1.0.5144.310	
04	Screw	0095505.5	(M8x20 DIN 7991)
05	bar	1.0.5144.320	
06	Pin	0092809.5	(6x26 DIN 1470)
07	Screw	0094797.5	(M8x20 DIN 6912)
08	Nut	1.0.5329.310	
09	Fold roller	<del>01.5300.03</del>	(Parallel and 8page unit 30")
		<del>01.5300.02</del>	(Parallel and 8page unit 26")
		<del>01.5300.00</del>	(16page unit 15")
10	Perforation shaft	01.5323.02	(Parallel and 8page unit 30")
		01.5323.01	(Parallel and 8page unit 26")
		01.5323.00	(16page unit 15")
11	Bar B30	01.5141.02	(Parallel and 8page unit)
	Bar B26	01.5141.01	(Parallel and 8page unit)
12	Angle	01.5444.01	(4 plates)
	Angle	01.5444.00	(2 plates)
13	Lever	2.0.5486.010	
14	Adjustment nut	1.0.5416.320	
15	Screw	4.0.5428.010	
16	Scale ring	1.0.5416.330	
17	Bearing block	1.0.5415.320	
18	Screw	0095976.5	(M6x10 ULS)
19	Guard B30	01.5164.04	(parallel unit)
	Guard B26	01.5164.03	(parallel unit)
20	Bolt	1.0.5325.050	
21	Bar B30	01.5141.05	(Parallel and 8page unit)
	Bar B26	01.5141.04	(Parallel and 8page unit)
	Bar	01.5141.03	(16page unit 15,,)
22	Roller	01.5339.00	
23	Screw	50 370 040	
24	Shaft	1.0.5325.380	
25	Cleaner roller B30	2x misprint	01.5300.30 B30 (parallel unit)
	cleaner roller B26	2x misprint	01.5300.31 B26 (parallel unit)

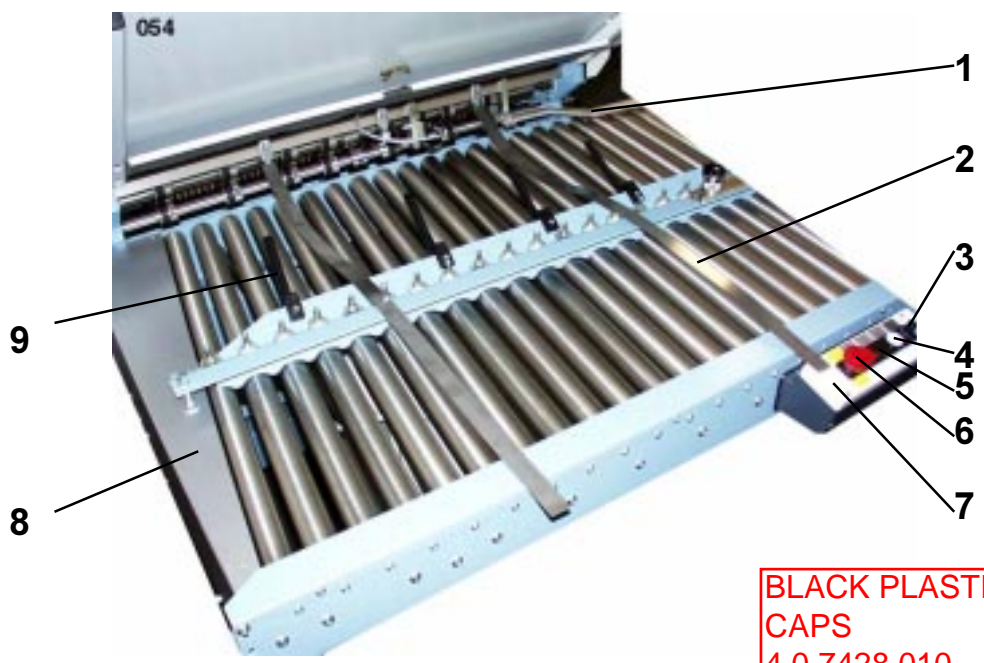
01.5322.02 B30 FOLD ROLLERS  
01.5322.01 B26 FOLD ROLLERS  
01.5322.00 16 PAGE FOLD ROLLERS



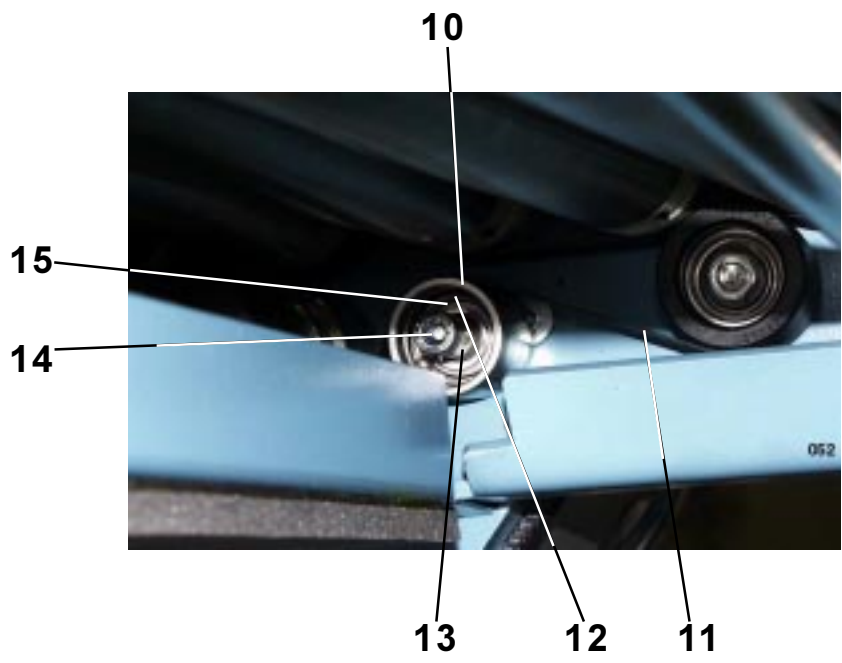


---

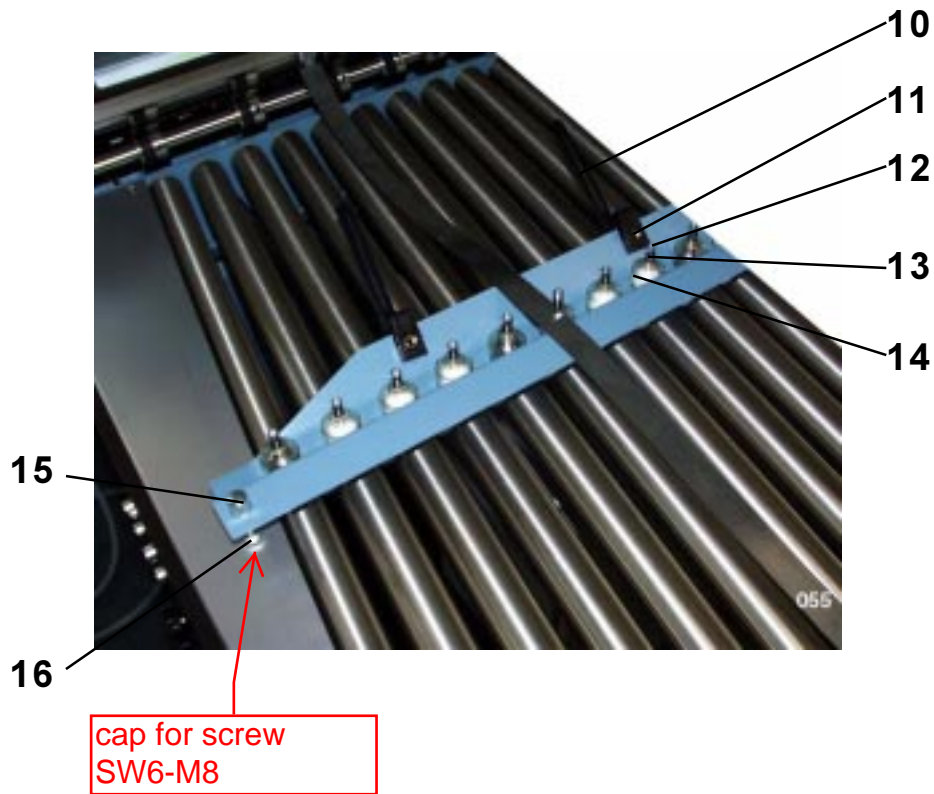
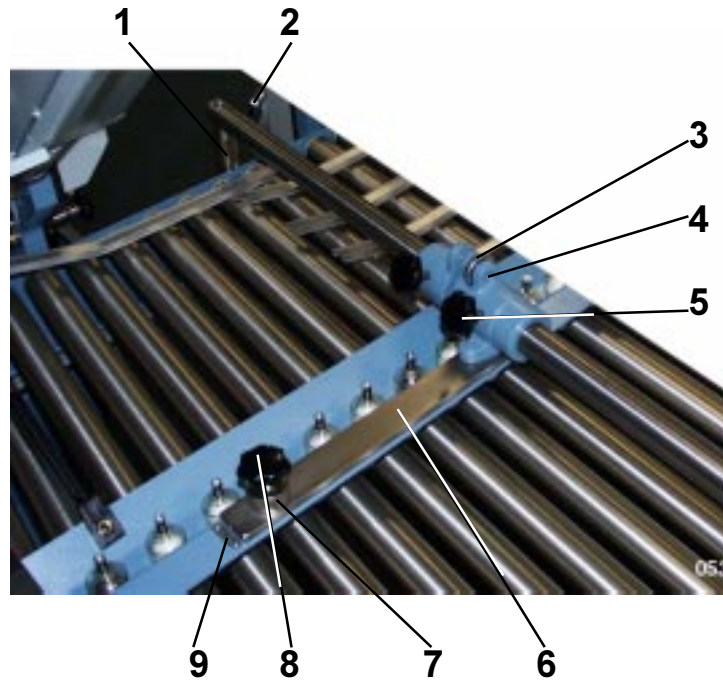
1	Guard	Parallel and 8pg 30"	01.7161.03	
		Parallel and 8pg 26"	01.7161.02	
		16pg 15"	01.7161.01	
2	Screw		0088989.5	(M8x16 DIN 912)
3	Wheel		00104588	
4	Nut		0090910.5	(M 12 DIN 934)
5	Holder		01.7144.00	(M12x35 DIN 603)
6	Main Motor		00103932	(0,75 kw = 3000u/min.)
7	Screw		0089326.5	(M12x50 DIN 912)



BLACK PLASTIC  
CAPS  
4.0.7428.010

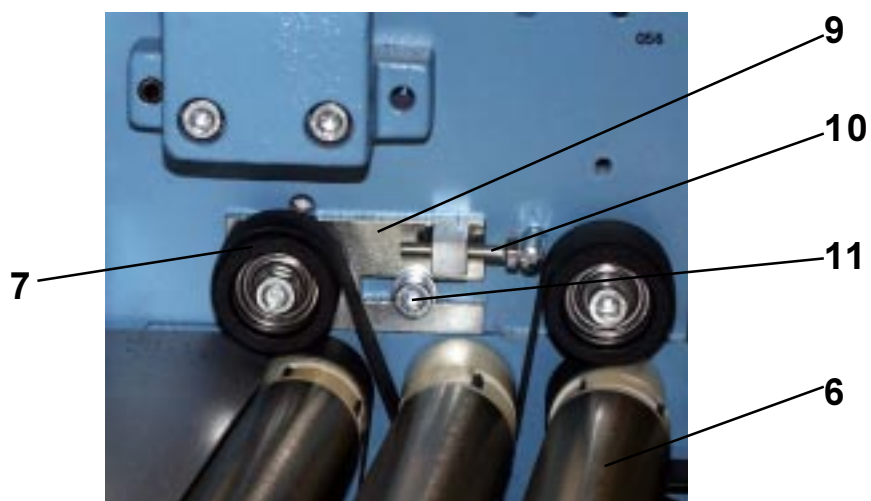


<b>01</b>	Smoother		1.0.7400.310	
<b>02</b>	Smoother	B26	76 533 010	
		B30	77 533 010	
<b>03</b>	Potentiometer		00127282	(D1R1S)
<b>04</b>	Switch		00127092	(D1A1W)
			00127027	(DA11)
<b>05</b>	Switch		00127118	(D1A1S)
			00127027	(DA11)
<b>06</b>	Switch		00127076	(D1A1R)
			00127027	(DA11)
<b>07</b>	Control Box		00128470	(DWG 5)
<b>08</b>	Infeed plate	B26	01.7363.08	
		B30	01.7363.10	
<b>09</b>	Smoother		01.7264.00	
<b>10</b>	Tape roller		5.0.7332.010	
<b>11</b>	Flat belt		<del>0090878.5</del>	(20x3480 NE 17)
<b>12</b>	Circlip		00087429	(28x1,2 DIN 472)
<b>13</b>	Bolt		70 320 140	
<b>14</b>	Screw		0089052.5	(M8x45 DIN 912)
<b>15</b>	Ball bearing		00109645	(6001-2Z)
<b>10+12-15</b>	Tape roller cpl.		5.0.7300.210	



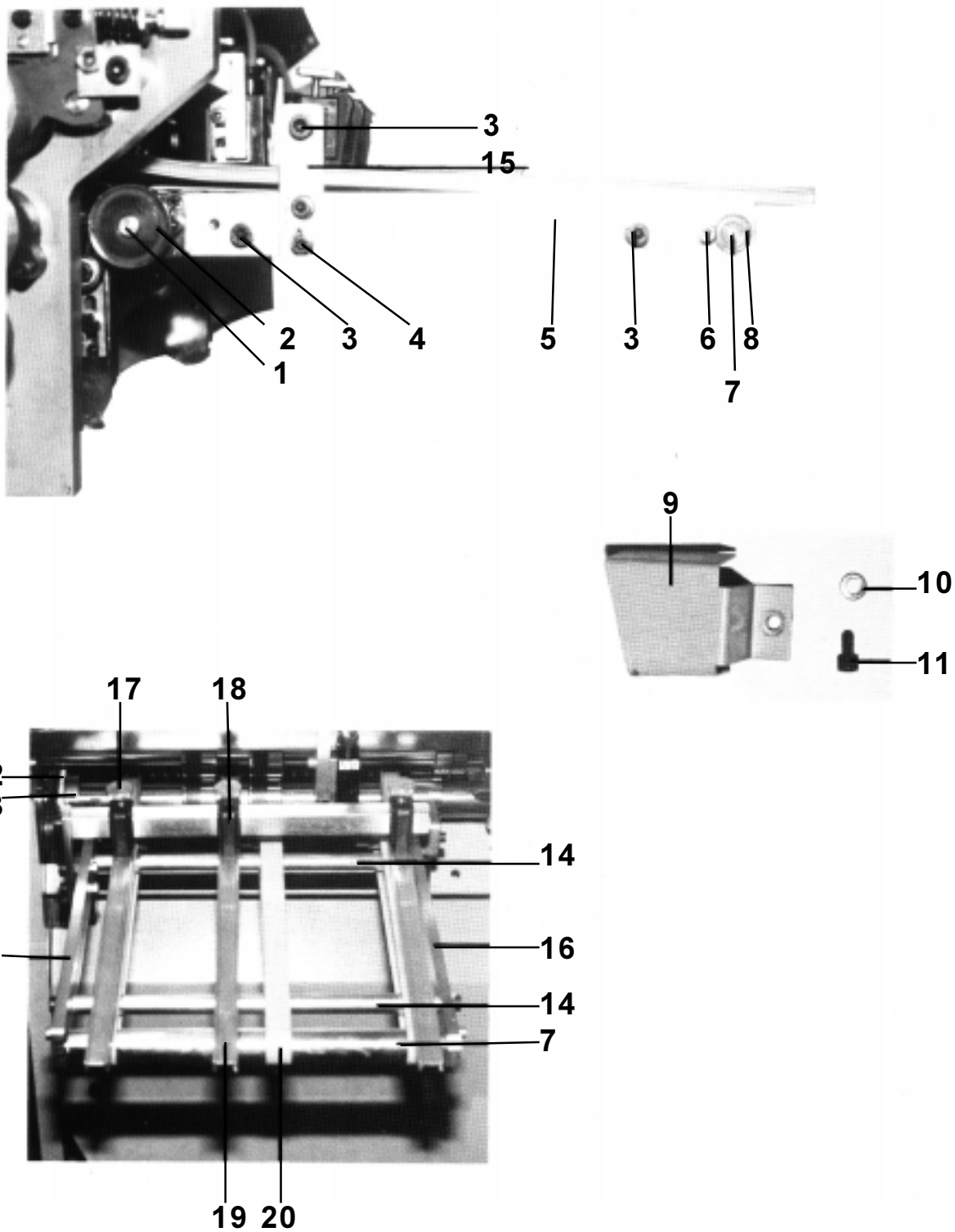
---

<b>01</b> Bolt	1.0.7325.300	
<b>02</b> Handwheel	00111906	(Zi 160x16)
<b>03</b> Knurled screw	0087155.5	(M8 DIN 467)
<b>04</b> Screw	0091421.5	(M8x30 DIN 939)
<b>05</b> Star grip	00108578	(GN 6336.1-40-M8)
<b>06</b> Bar	2.0.7244.010	
<b>07</b> Excenter grip	10 420 030	
<b>08</b> Star grip	00101857	(GN 6336.1-40-M8)
<b>09</b> Scale	50 670 010	
<b>10</b> Smoother	01.7264.00	
<b>11</b> Screw	50 370 040	
<b>12</b> Screw	0088807.5	(M6x16 DIN 912)
<b>13</b> Spring	00102681	(D128)
<b>14</b> Ball bush	5.0.7226.020	
<b>15</b> Nut	0090084.5	(M8 DIN 917)
<b>16</b> Screw	0089037.5	(M8x35 DIN 912)
<b>12-14</b> Ball holder cpl.	5.0.7200.220	



---

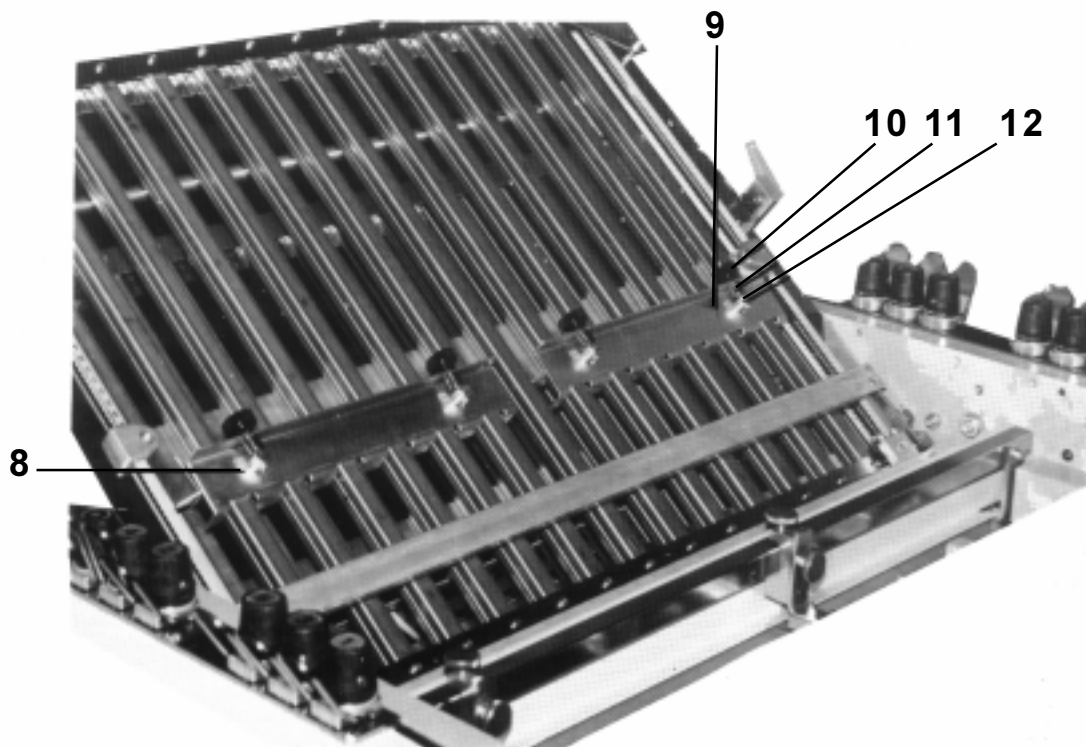
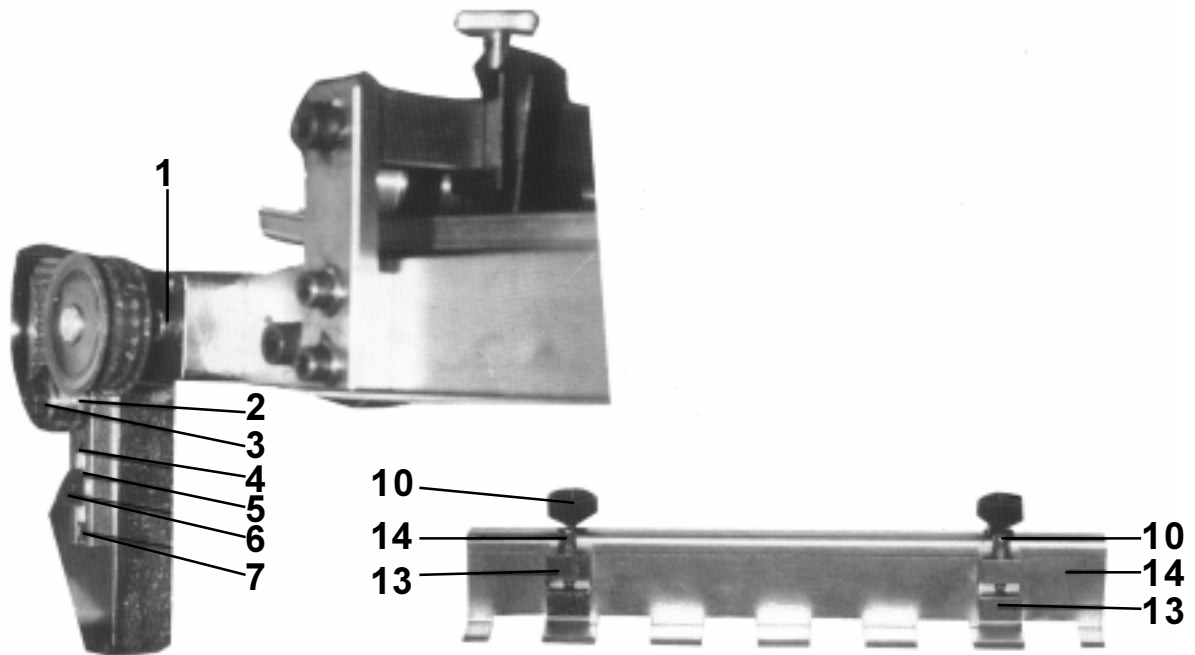
<b>01</b>	Roller		1.12.7400.100	
<b>02</b>	Guard		5.0.7362.021	
<b>03</b>	Roller	26"	01.7400.31	
		30"	01.7400.32	
<b>04</b>	Infeed plate	26"	01.7363.07	
		30"	01.7363.09	
<b>05</b>	Ball holder		5.0.7200.220	
<b>06</b>	Nut		0086876.5	(M8 DIN 934)
<b>07</b>	Tape roller		00111781	(INA V56 202)
<b>08</b>	Flat belt		00106179	(20x3480 NE17)
<b>09</b>	Holder		01.5264.00	
<b>10</b>	Screw		0088864.5	(M6x35 DIN 933)
<b>11</b>	Screw		0088989.5	(M8x16 DIN 912)





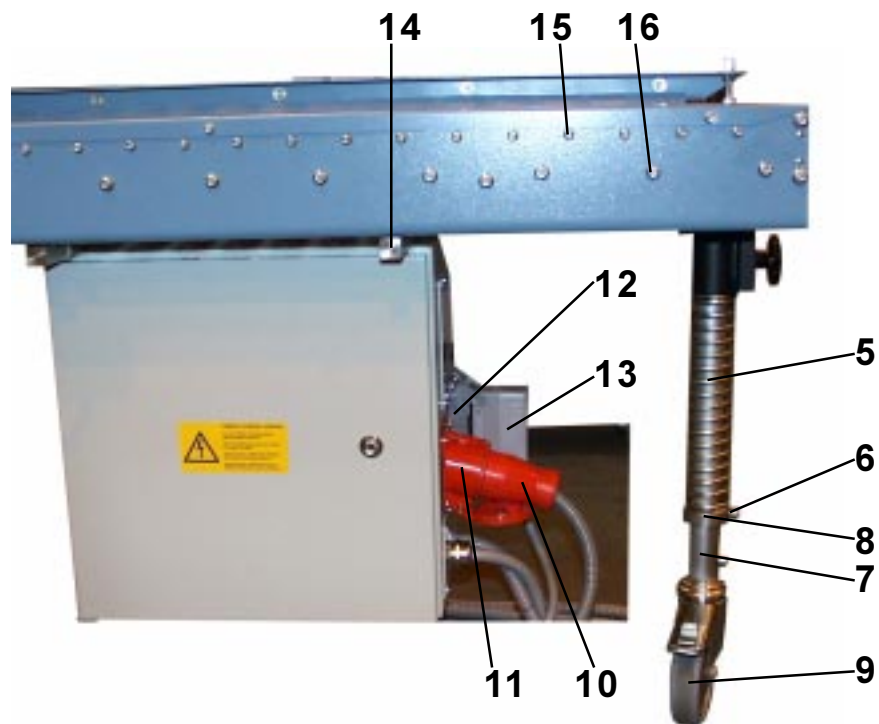
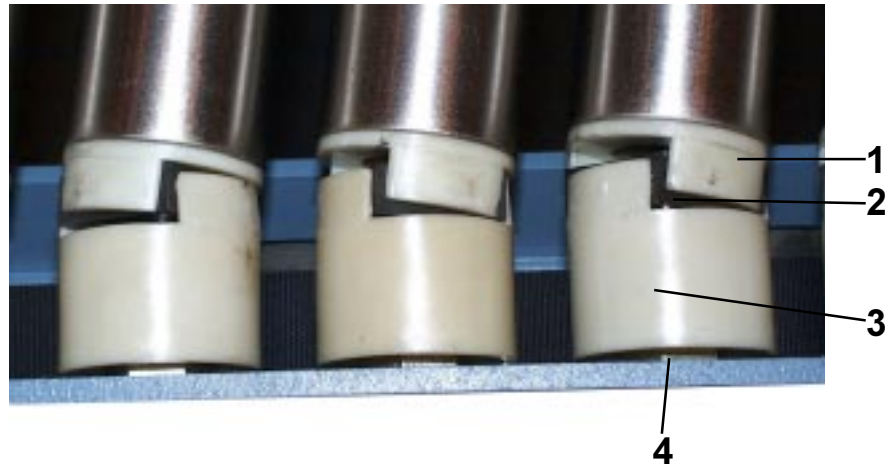
---

<b>01</b>	Shaft with 2x ball bearing	26"	01.7521.02/ 2x 00109645	
		30"	01.7521.03/ 2x 00109645	
<b>02</b>	Pulley		1.0.6836.011	
<b>03</b>	Screw		0088997.5	
<b>04</b>	Screw		0088856.5	
<b>05</b>	Side guide	26"	01.7544.04	
		30"	01.7544.06	
<b>06</b>	Screw		0088781.5	
<b>07</b>	Shaft		01.7521.05	
<b>08</b>	Ball bearing		00109512	
<b>09</b>	Guard		01.7562.00	
<b>10</b>	Washer		0086116.5	
<b>11</b>	Screw		0088781.5	
<b>12</b>	Timing belt		00102343	(110xL9.5)
<b>13</b>	Pulley		1.0.7526.010	
<b>14</b>	Bar	26"	01.7521.00	
		30"	01.7521.01	
<b>15</b>	Holder		01.7544.01	
<b>16</b>	Side guide		01.7544.07	
<b>17</b>	Knurled screw		0087908.5	
<b>18</b>	Holder		60 500 140	
<b>19</b>	smoother	26"	76 544 071	
		30"	77 544 071	
<b>20</b>	Tape	26"	00105259	(20x765)
		30"	00105338	(20x870)
<b>1-20</b>		26"	01.7500.01	
conveyer table cpl.		30"	01.7500.11	



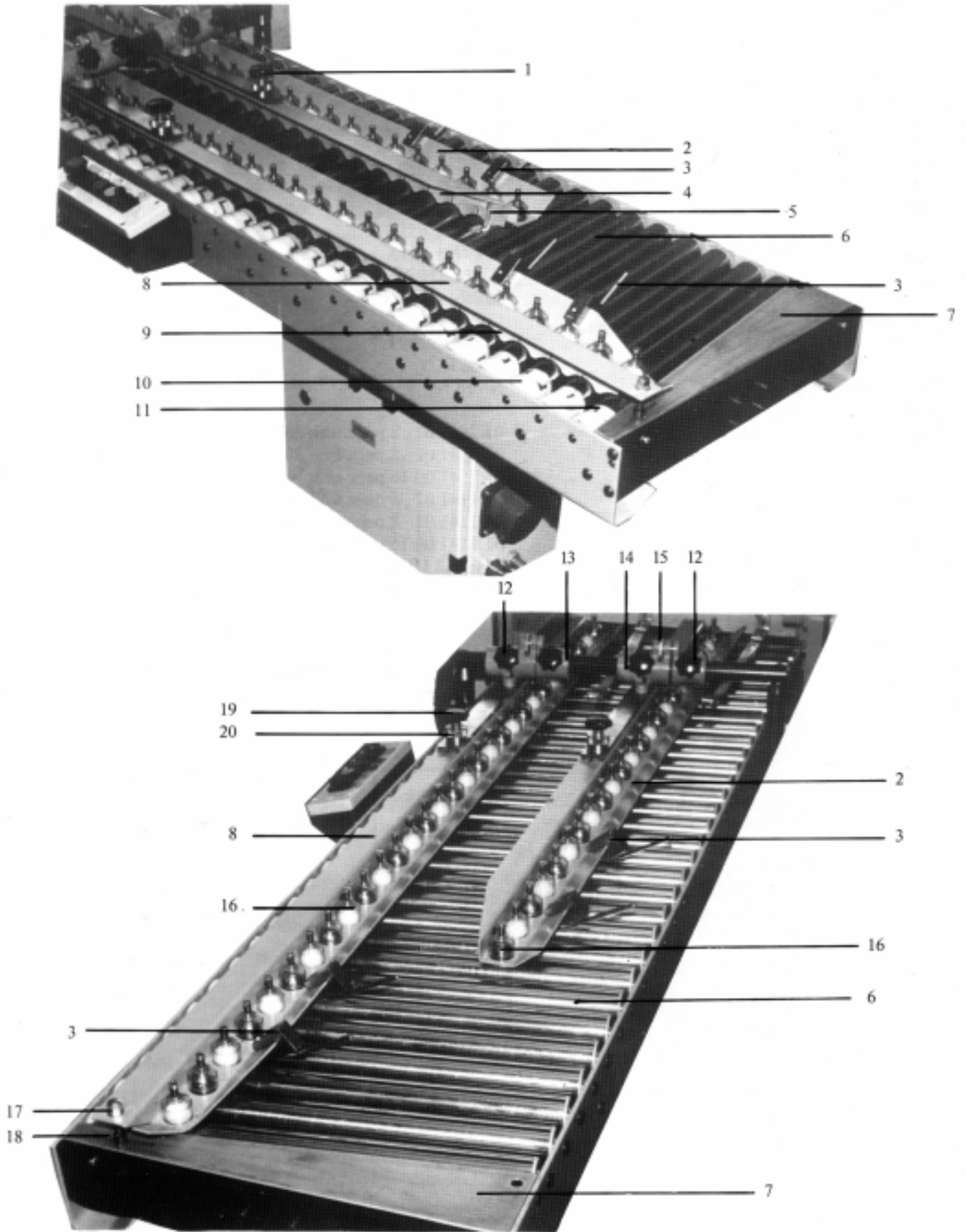
---

<b>01</b>	Screw	0088856.5	(M6x30 DIN 912)
<b>02</b>	Ball bearing	00109562	2x(626-2Z)
<b>03</b>	Screw	0088831.5	(M6x22 DIN 912)
<b>04</b>	Holder	1.0.7544.040	
<b>05</b>	Washer	0086116.5	(6.4 DIN 125)
<b>06</b>	Screw	0090357.5	(M6x16 DIN 933)
<b>07</b>	Pin	00094946	(6x20 DIN 7343)
<b>08</b>	Scale	1.0.5673.300	
<b>09</b>	Sheet stop	8pg unit 30"	01.7561.030
		8pg unit 26"	01.7561.020
		16pg unit 15"	1.4.7563.010
<b>10</b>	Knurled screw	00095836	(M6x20 GN 421)
<b>11</b>	Spring	50 480 090	
<b>12</b>	Bolt	3.0.7525.010	
<b>13</b>	Holder	3.0.7544.050	
<b>14</b>	Screw	0088823.5	(M6x20 DIN 912)



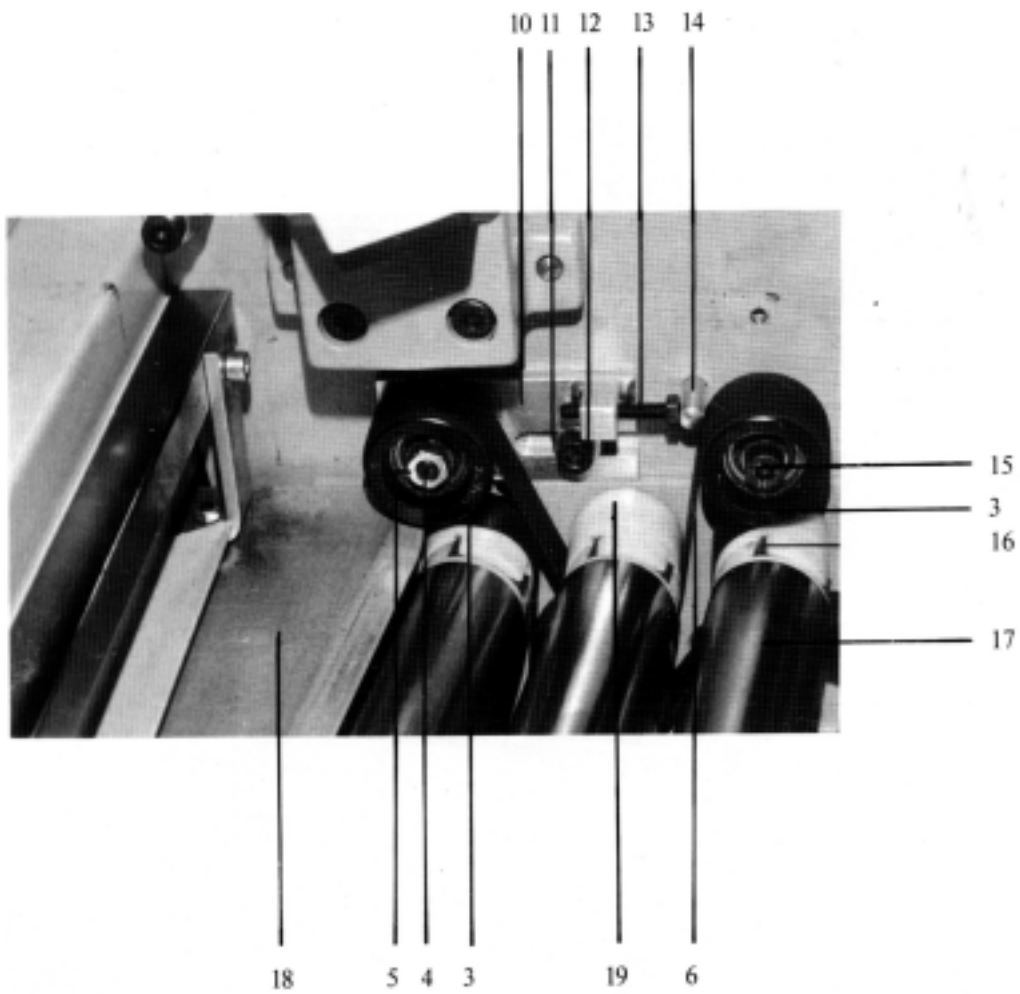
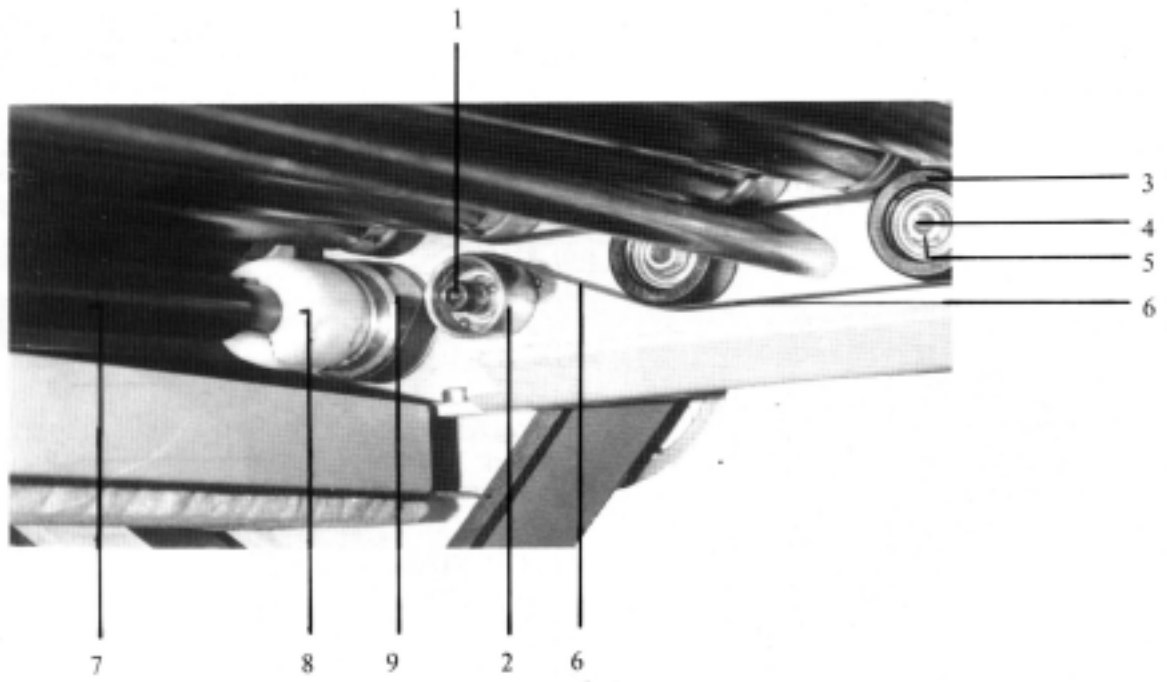
---

<b>01</b>	Roller	8pg 30"	01.7400.32	
		8pg 26"	01.7400.31	
		16pg 15"	01.7400.30	
<b>02</b>	Coupling		70 640 011	
<b>03</b>	Tape roller		4.0.7400.020	
<b>04</b>	Bolt		4.0.7425.011	
<b>05</b>	Spring		70 480 010	
<b>06</b>	Screw		0088989.5	(M8x16 DIN 912)
<b>07</b>	Leg - length 310mm	32pg unit	1.0.7121.030	
	- length 355mm	32pg unit	4.0.7121.070	
	- length 445mm	16pg unit	4.0.7121.051	
	- length 580mm	8pg unit	4.0.7121.021	
<b>08</b>	Ring		0088443.5	(A35 DIN 705)
<b>09</b>	Casto wheel		00104513	(125 RO5 Ø28x36)
<b>10</b>	Plug		00131318	
<b>11</b>	Socket		00131326	
<b>12</b>	Socket		00131152	



---

01	Star grip	00101857	(GN 6336.1-40 M8-E)
02	Ball bar	01.7561.05	
03	Smoother	01.7264.00	
04	Side guide	01.7561.04	
05	Guide	01.7563.00	
06	Roller	01.7400.30	
07	Plate	01.7363.06	
08	Ball bar	01.7261.011	
09	Side guide	01.7261.01	
10	Tape roller	4.0.7400.020	
11	Coupling	70 640 011	
12	Star grip	00101857	(GN 6336.1-40 M8-E)
13	Adjustment part	1.0.7212.310	
14	Adjustment part	1.0.7212.300	
15	Knurled nut	0087155.5	(M8 DIN 467)
16	Ball Holder	5.0.7200.220	
17	Nut	0090845.5	(M8 DIN 917)
18	Screw	0089037.5	(M8x35 DIN 912)
19	Star grip	00101857	(GN 6336.1-40 M8-E)
20	Excenter	1.0.4229.300	

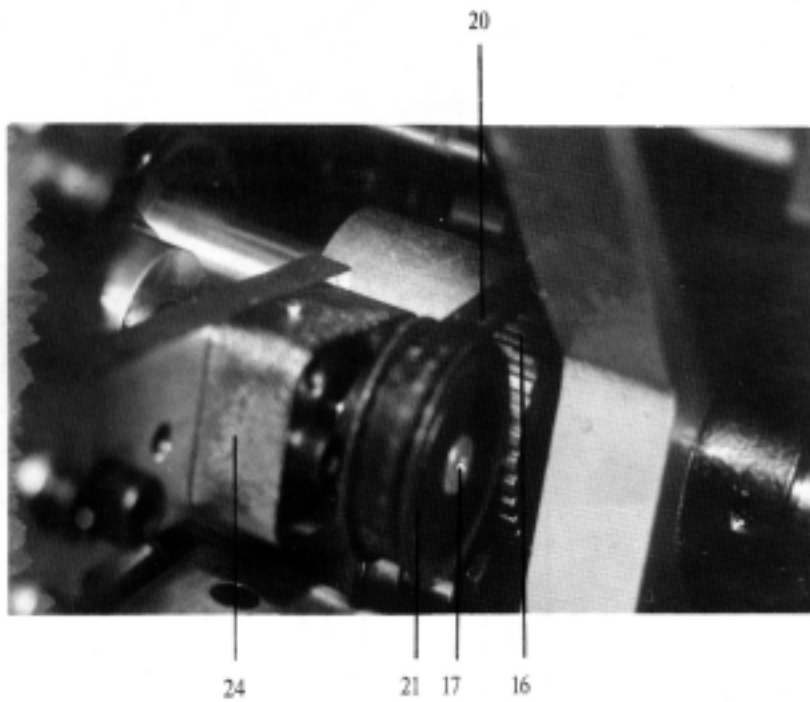
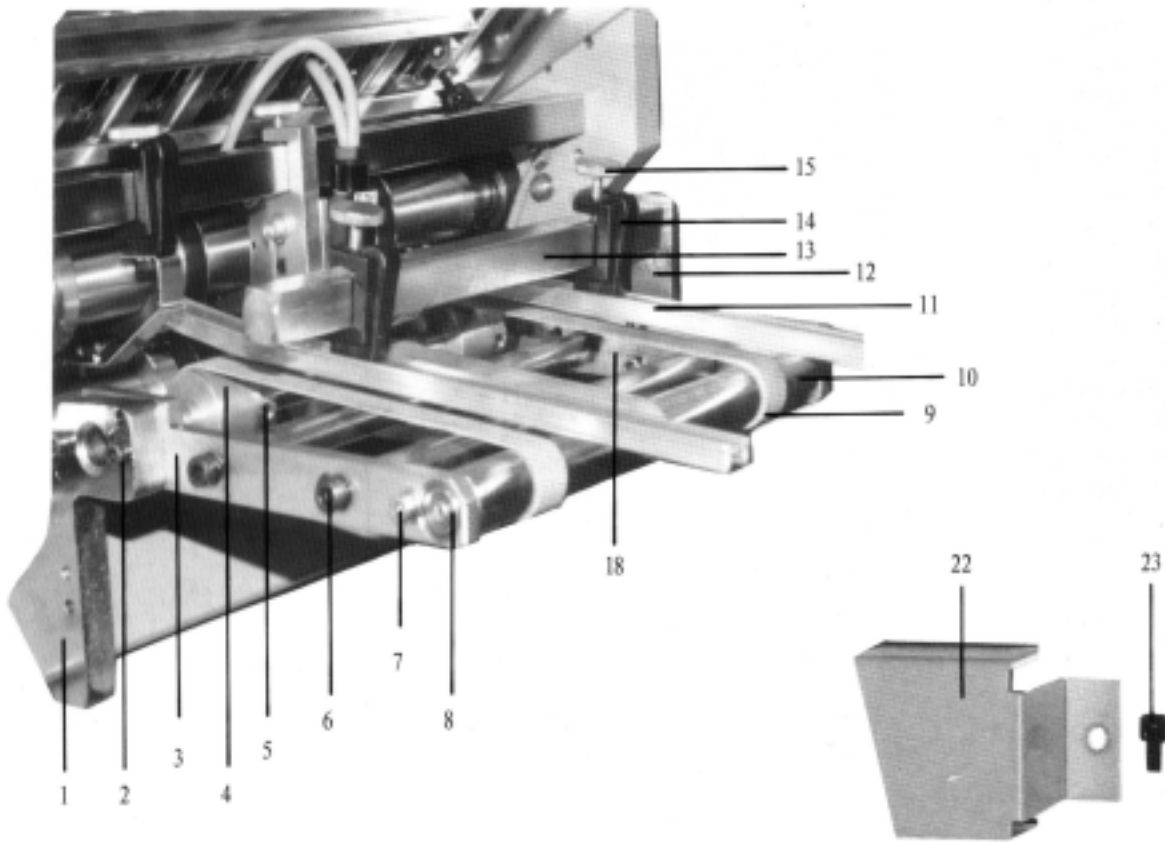




**B26/B30**

---

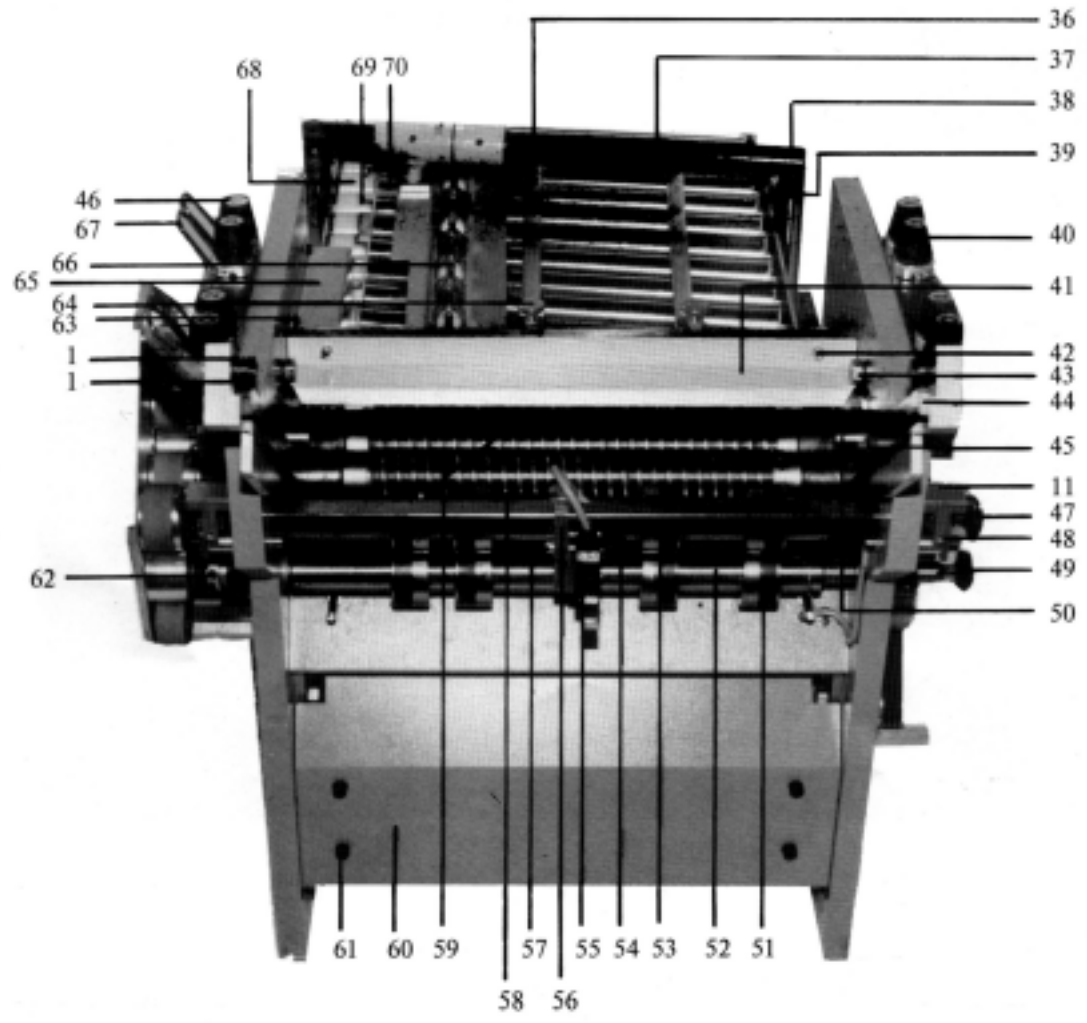
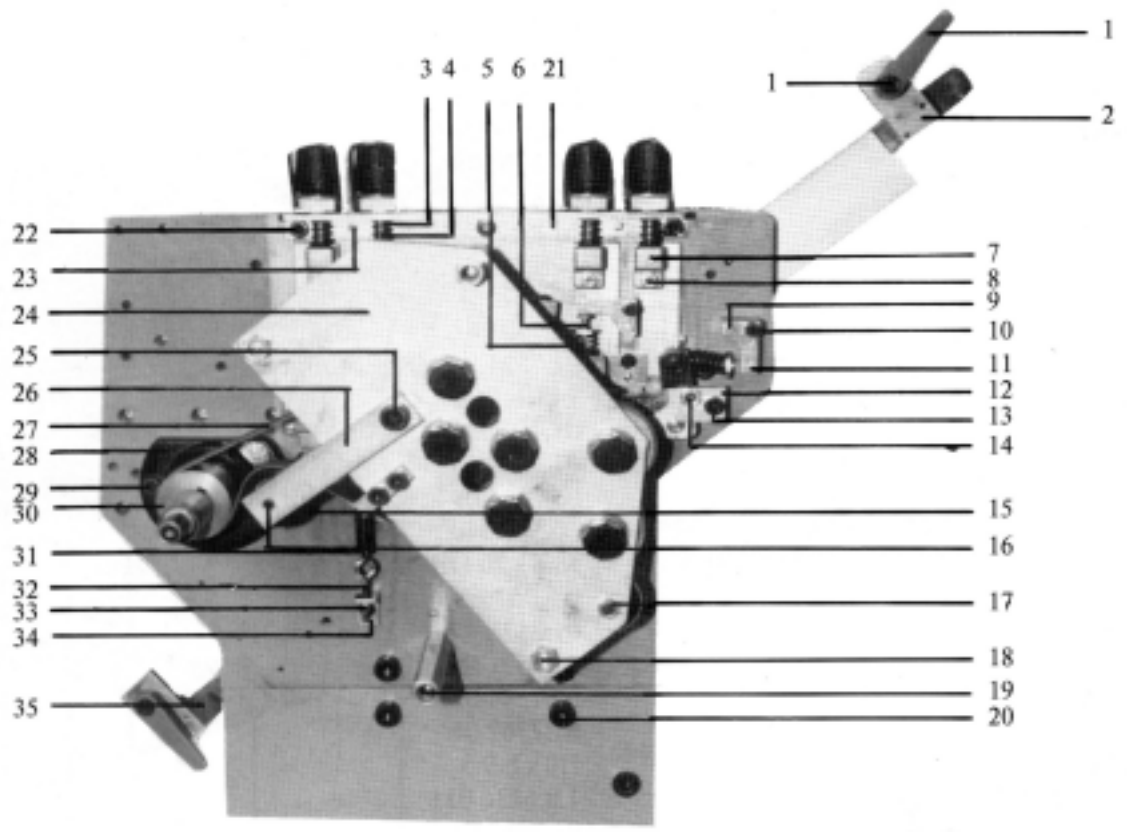
01	Screw	0089052.5	(M8x45 DIN 912)
02	Tape roller	5.0.7300.210	
03	Tape roller	00111781	(INA V56 202)
04	Screw	0089045.5	(M8x40 DIN 912)
05	Nut	0090878.5	(M8 DIN 934)
06	Flat belt	00106179	(20x3480 NE 17)
07	Shaft	01.5221.00	
08	Coupling	3.0.5326.024	
09	Tape roller	1.0.5232.340	
10	Holder	01.5264.01	
11	Washer	0086124.5	(8.4 DIN 125)
12	Screw	0088989.5	(M8x16 DIN 912)
13	Screw	0090399.5	(M6x35 DIN 933)
14	Pin	0092841.5	(8x32 DIN 1470)
15	Screw	0089037.5	(M8x35 DIN 912)
16	Coupling	70 640 011	
17	Roller	01.7400.30	
18	Infeed plate	01.7363.05	
19	Tape roller	4.0.7400.020	



---

01	Holder		01.7511.00	
02	Screw		0088856.5	(M6x30 DIN 912)
03	Side frame		01.7544.03	
04	Tape roller		4.0.6932.010	
05	Screw		50 370 040	
06	Screw		0088997.5	(M8x20 DIN 912)
07	Screw		0088997.5	(M8x20 DIN 912)
08	Ball bearing		00109512	(608-2Z)
09	Tape		00105130	(20x480)
10	Shaft	8pg 26"	01.7521.04	
		8pg 30"	01.7521.05	
11	Smoother		74 544 071	
12	Holder		01.7544.01	
13	Bar	8pg 26"	01.7544.08	
		8pg 30"	01.7544.09	
14	Holder		60 500 140	
15	Knurled screw		0087908.5	(M6x20 DIN 653)
16	Pulley		1.0.7536.010	
17	Shaft	8pg 26"	01.7521.02	
		8pg 30"	01.7521.03	
18	Side frame		01.7544.02	
19	guard		01.7562.01	
20	Timing belt		00102343	(110xL9.5)
21	Pulley		1.0.6836.011	
22	guard		01.7562.01	
23	Screw		0088781.5	(M6x10 DIN 912)
24	Ball bearing		00109645	(6001-2Z)

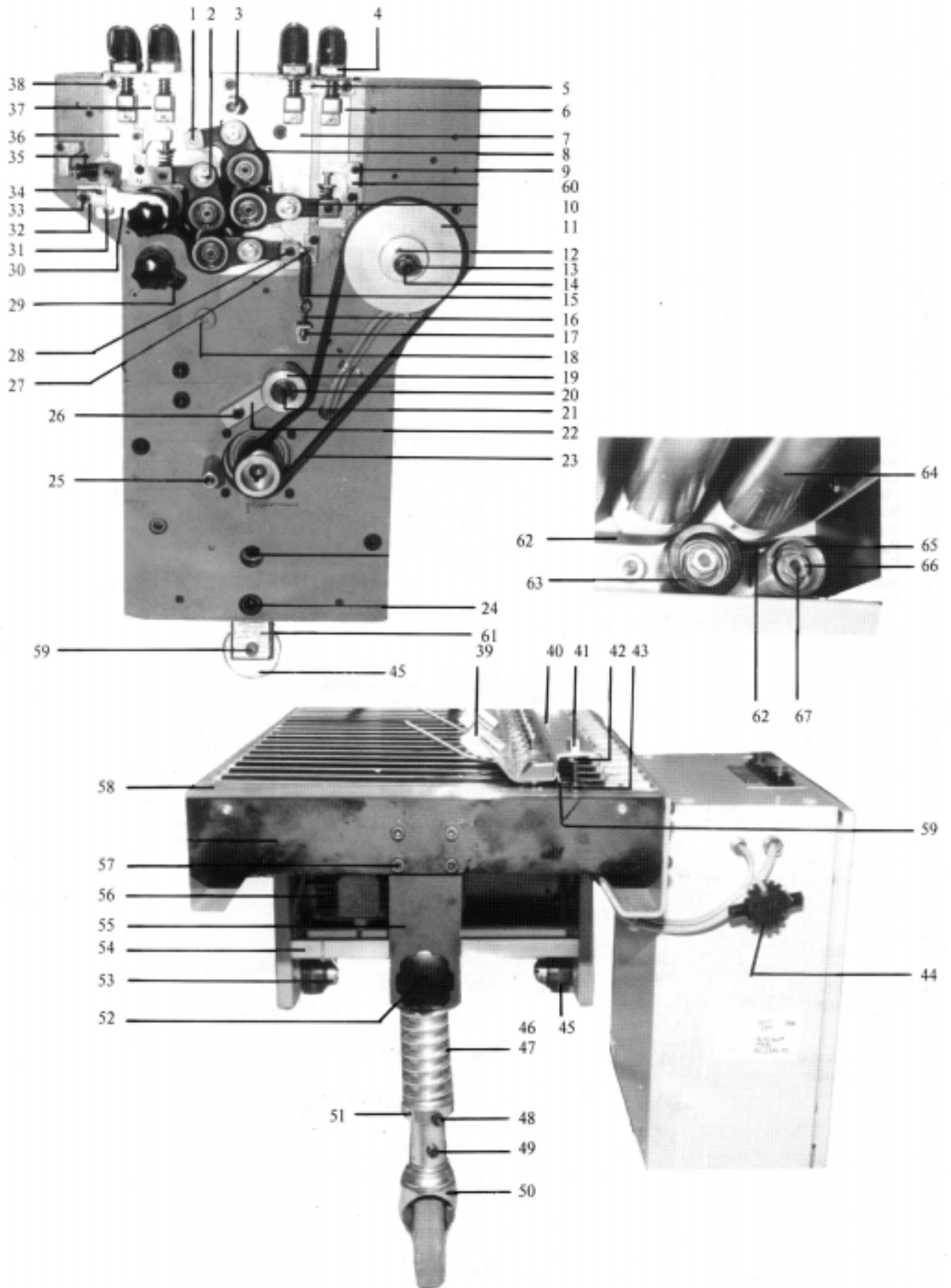
# B26/B30



**B26/B30**

01	Locking lever	5.0.5125.010		
02	Holder	4.0.5115.011		
03	Spring	00102889	(D 218)	
04	Adjustment screw	1.0.5415.300		
05	Spring	00102913	(D 252 AO2)	
06	Adjustment screw	5.0.5325.061		
07	Adjustment screw	1.0.5415.300		
08	Screw	0088799.5	(M6x12 DIN 912)	
09	Holder	1.0.5415.310		
10	Screw	0088880.5	(M6x45 DIN 912)	
11	Holder	1.0.5415.310		
12	Holder	5.0.5343.011		
13	Screw	0089045.5	(M8x40 DIN 912)	
14	Screw	0089702	(M8x12 MS DIN 913)	
15	Pulley	00111781	(INA V56 202)	
16	Screw	0089037.5	(M8x35 DIN 912)	
17	Nut	0090878.5	(M8 DIN 934)	
18	Nut	0090894.5	(M10 DIN 934)	
19	Bolt	1.0.5125.320		
20	Screw	0089326.5	(M12x50 DIN 912)	
21	Angle	01.5444.00	(2 plates)	
22	Screw	0088989.5	(M8x16 DIN 912)	
23	Pin	0092811.5	(6x32 DIN 1470)	
24	Bearing plate	01.5244.00	(2 plates)	
25	Screw	0089276.5	(M12x25 DIN 912)	
26	Lever	01.5244.03		
27	Flat belt	00106211	(25 x 1.3 x 1290 2 plates)	
28	Bearing block	1.0.5212.300		
29	Screw	0089011.5	(M8x25 DIN 912)	cpl. 01.5200.31
30	Pulley	1.0.5232.350		
31	Spring	00102699	(Z-130 M)	
32	Spring	00101428.5	(M5x30 GR.NO. 07300237-01)	
33	Nut	0090845.5	(M5 DIN 934)	
34	Angle	1.0.5443.300		
35	Buckle bar	1.0.5144.330		
36	Smoother	70 050 231		
37	Holder	01.7321.03		
38	Screw	0089052.5	(M8x45 DIN 912)	
39	Bolt	1.0.7325.300		
40	Adjustment nut	1.0.5416.320		
41	Guard	01.5161.04		
42	Screw	0088781.5	(M6x10 DIN 912)	
43	Nut	0090910.5	(M12 DIN 934)	
44	Buckle bar	1.0.5144.310		
45	Screw	0094797.5	(M8x20 DIN 6912)	
46	Nut	1.0.5416.320		
47	Star grip	00101857	(GN 6336.1-40 M8-E)	
48	Adjustment screw	5.0.5325.061		
49	Bolt	1.0.5325.380		
50	Nut	1.0.5329.310		
51	Roller	01.5339.00		
52	Knife shaft	01.5323.00		
53	Bar	01.5141.00		
54	Microswitch	00131474	(BZ 2 RW 82255-A2)	
55	Microswitch	00131474	(BZ 2 RW 82255-A2)	
56	Holder	5.0.6444.100		
57	Screw	0088815.5	(M6x18 DIN 912)	
58	Knurled screw	0087882.5	(M6x12 DIN 653)	
59	Fold roller	01.5322.00		
60	Guard	01.7161.00		
61	Screw	0088989.5	(M8x16 DIN 912)	
62	Screw	50 370 040		
63	Screw	0095976.5	(M6x10 ULS)	
64	Knurled screw	0087882.5	(M6x12 DIN 653)	
65	guard	5.0.7362.021		
66	Ball Holder	5.0.7200.220		
67	Holder	2.0.5486.010		
68	Tape roller	4.0.7400.020		
69	Coupling	70 640 011		
70	Roller	01.7400.30		

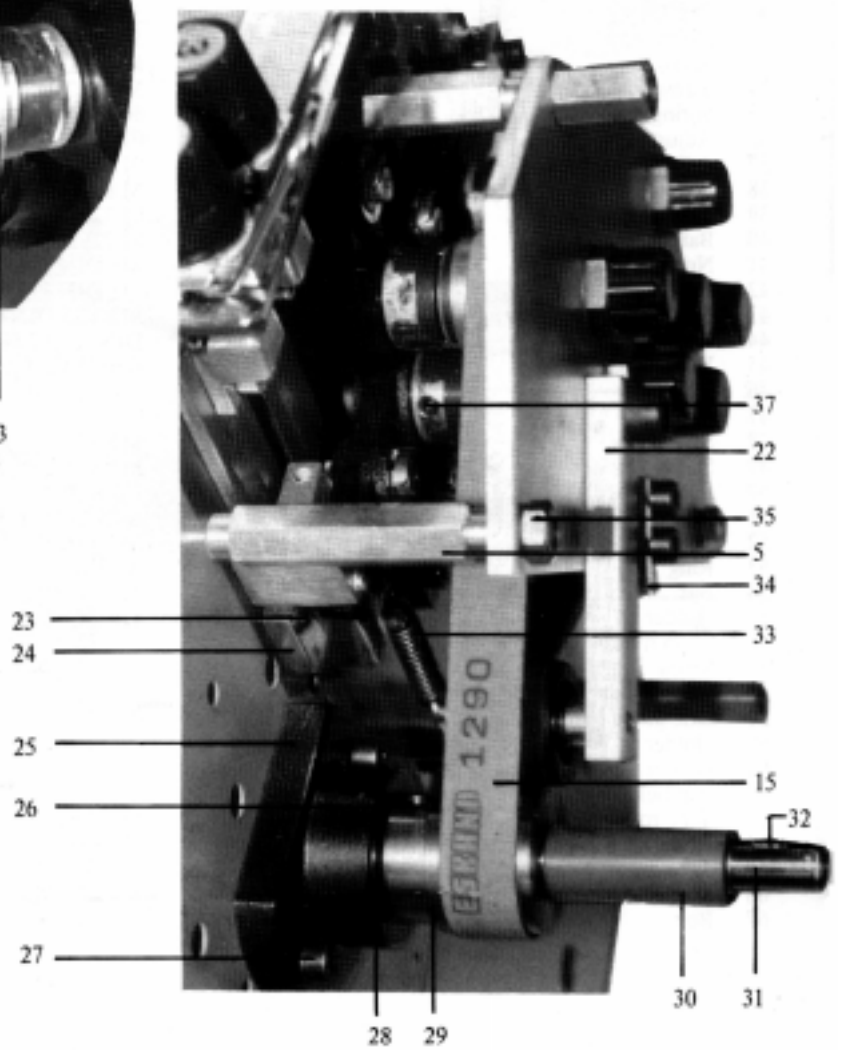
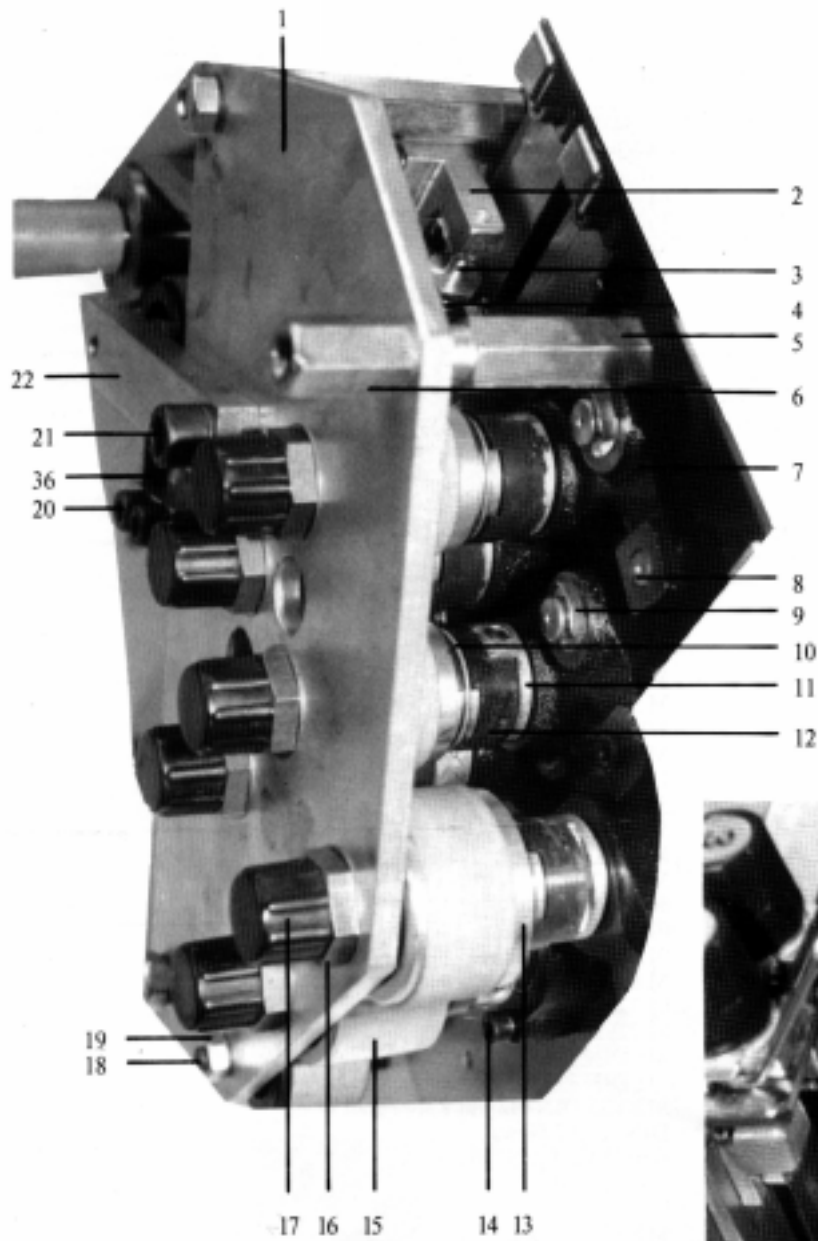
# B26/B30



**B26/B30**

01	Bolt	1.0.5325.011		
02	Bolt	1.0.5325.360		
03	Bolt	1.0.5125.340		
04	Bolt	1.0.5415.320		
05	Pin	0092811.5	(6x12 DIN 1470)	
06	Adjustment part	1.0.5444.021		
07	Adjustment part	01.5444.08		
08	Lever	1.0.5312.331		
09	Screw	0095992.5	(M6x16 ULS)	
10	Lever	1.0.5312.350		
11	Pulley	1.0.5233.020		
12	Key	00094474	(6 x 6 x 20 DIN 6885)	cpl. 01.5200.33
13	Distance	1.0.5228.300		
14	Shaft	01.5221.00		
15	Spring	00102699	(Z-130 M)	
16	Spring	00101428.5	(M5x30 GR.NO. 07300237-01)	
17	Nut	0090845.5	(M5 DIN 934)	
18	Screw	00096339	(M12 x 16 h 8x40 UPS)	
19	Pulley	1.0.5232.330		
20	Ball bearing	00111799	(F80 291 INA)	cpl. 1.0.5200.350
21	Screw	0089011.5	(M8x25 DIN 912)	
22	Lever	3.0.6243.100		
23	Poly-V-belt	00107839	(1016-7800107839)	
24	Screw	0089391.5	(M16x30 DIN 912)	
25	Bolt	1.0.5125.340		
26	Screw	0089011.5	(M8x30 DIN 912)	
27	Screw	0088682.5	(M5x20 DIN 912)	
28	Bolt	1.0.5325.011		
29	Screw	0088849.5	(M6x25 DIN 912)	
30	Lever	1.0.5300.300		
31	Pin	50 340 230		
32	Holder	5.0.5343.011		
33	Screw	0089045.5	(M8x40 DIN 912)	
34	Screw	0089702	(M8x12 MS DIN 913)	
35	Spring	50 480 080		
36	Adjustment part	01.5444.02	(2 plates)	
37	Adjustment part	01.5444.05	(2 plates)	
38	Screw	0088989.5	(M8x16 DIN 912)	
39	Smoothen	01.7264.00		
40	Ball bar	01.7261.10		
41	Nut	0090845.5	(M8 DIN 417)	
42	Nut	0090878.5	(M8 DIN 934)	
43	Screw	0089037.5	(M8x35 DIN 912)	
44	Key	0128689	(DIN 43 668 HEWA)	
45	Wheel	00104588	(D 80 HUFA)	
46	Bolt	5.0.7725.010		
47	Spring	01.7181.00		
48	Screw	0088989.5	(M8x16 DIN 912)	
49	Screw	0090084.5	(M8x12 DIN 912)	
50	Castor wheel	00104513	(125 RO5 Ø28x36)	
51	Ring	0088443.5	(A35 DIN 705)	
52	Star grip	00101857	(M8x18) / 50 370 044	
53	Ring	0088393.5	(A25 DIN 705)	
54	Bar	01.7141.00		
55	Holder	4.0.7144.010		
56	Main motor	0103932	(0,75 kw)	
57	Screw	0089003.5	(M8x25 DIN 912)	
58	Infeed plate	01.7363.04		
59	Side guide	01.7261.00		
60	Holder	1.0.5415.310		
61	Holder	01.7144.01		
62	Flat belt	00106021	(20 2540 NE 17)	
63	Tape roller	00111781	(INA V56 202)	
64	Roller	01.7400.30		
65	Tape roller	5.0.7332.010		
66	Nut	0090878.5	(M8 DIN 934)	cpl. 5.0.7300.210
67	Bolt	70 320 140		

# B26/B30





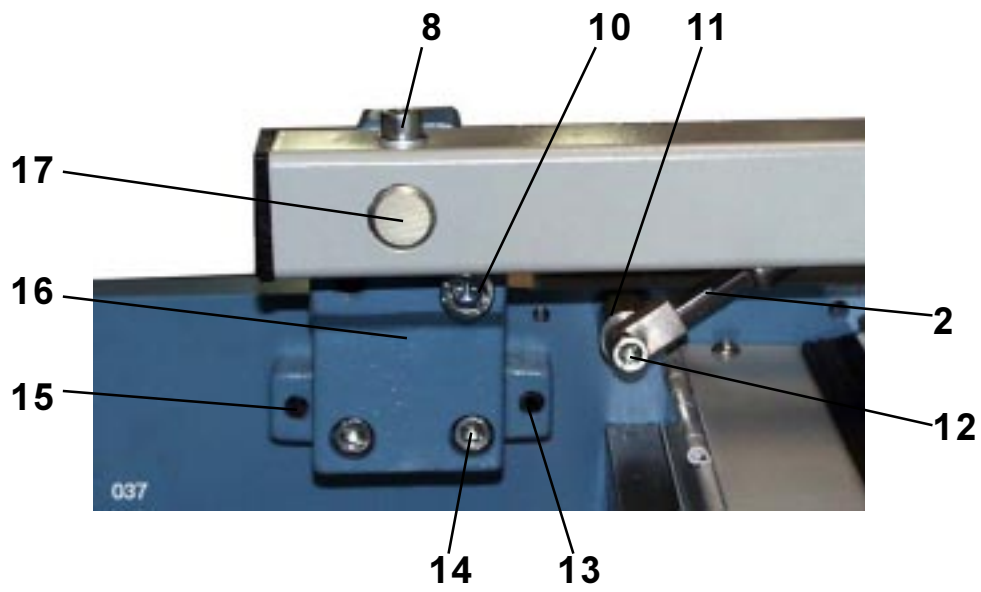
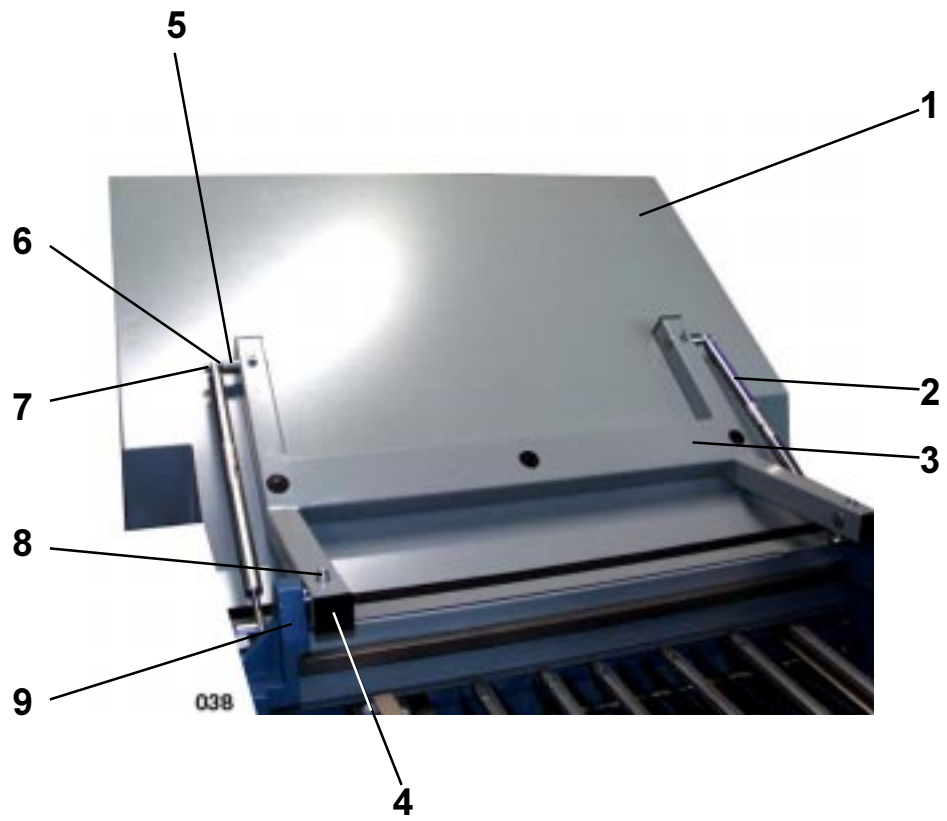
**B26/B30**

01	Bearing plate	01.5244.00		
02	Holder	1.0.5415.310		
03	Adjustment screw	5.0.5325.061		
04	Spring	00102913	(D-252 AO2)	
05	Bolt	1.0.5125.060		
06	Nut	1.0.5129.030		
07	Bearing lever	1.0.5312.360		
08	Bolt	1.0.5325.011		
09	Spring	00101592	(12 SX N 09)	
10	Spring	3.0.5283.010		
11	Coupling	3.0.5326.030		
12	Coupling	3.0.5226.010		
13	Tape roller	4.0.5232.010		
14	Screw	0088856.5	(M6x30 DIN 912)	
15	Flat belt	00106211	(25 x 1.3 x 1290)	
16	Nut	00111583	(SR 23)	only cpl.
17	Bearing	00111583	(SR 23)	
18	Screw	0089052.5	(M8x45 DIN 912)	
19	Nut	0090878.5	(M8 DIN 934)	
20	Screw	0088997.5	(M8x20 DIN 912)	
21	Screw	0089276.5	(M12x25 DIN 912)	
22	Lever	01.5244.03		
23	Screw	0095984.5	(M6x12 ULS)	
24	Holder	1.0.5544.310		
25	Bearing block	1.0.5212.300		
26	Screw	0089664.5	(M8x6 DIN 913)	
27	Screw	0089003.5	(M8x25 DIN 912)	
28	Ball bearing	00109728	(6004-2Z)	
29	Pulley	1.0.5232.350		
30	Distance	01.5228.00		
31	Shaft	01.5221.05		
32	Key	00094318	(5 x 5 x 12 DIN 6885)	
33	Spring	00102699	(Z-130 M)	
34	Holder	5.0.5243.041		
35	Nut	0090910.5	(M12 DIN 934)	
36	Screw	0089011.5	(M8x30 DIN 913)	
37	Screw	50 370 040		



---

<b>01</b>	Noise hood	parallel and 8pg 26"	01.5761.01	
		parallel and 8pg 30"	01.5761.02	
		16pg	01.5761.00	
		32pg	01.5761.03	
<b>02</b>	Floor plate	parallel and 8pg 26"	01.5764.04	
		parallel and 8pg 30"	01.5764.05	
		16 and 32pg unit	01.5764.03	
<b>03</b>	Holder		00100024	(52 E02-03-01 AA)
<b>04</b>	Handle		00100230	(1095-07 EMKA)
<b>05</b>	Handle		00100248	(1095-08 EMKA)



---

<b>01</b>	Noise hood	Parallel and 8 pg 26"	01.5761.01	
		Parallel and 8 pg 30"	01.5761.02	
		16 pg	01.5761.00	
		32 pg	01.5761.03	
<b>02</b>	Gas pressure spring	Parallel and 8 pg	00100123	(11-42-200-600/200N)
		16 and 32 pg	00100131	(11-42-200-600/400N)
<b>03</b>	Holder		01.5764.02	
<b>04</b>	Plastic part		00101808	(GPN 260 Q40x40)
<b>05</b>	Distance		5.0.5725.030	
<b>06</b>	Nut		0090878.5	(M8 DIN 934)
<b>07</b>	Screw		0089094.5	(M8x60 DIN 912)
<b>08</b>	Screw		0088963.5	(M8x12 DIN 912)
<b>09</b>	Holder		5.0.5212.010	
<b>10</b>	Screw		0089342.5	(M12x60 DIN 912)
<b>11</b>	Distance		50 290 090	
<b>12</b>	Screw		0089094.5	(M8x60 DIN 912)
<b>13</b>	Pin		00093617	(8x40 DIN 1481)
<b>14</b>	Screw		0089094.5	(M8x60 DIN 912)
<b>15</b>	Pin		00093617	(8x40 DIN 1481)
<b>16</b>	Holder		5.0.5712.010	
<b>17</b>	Bolt		5.0.5725.020	

