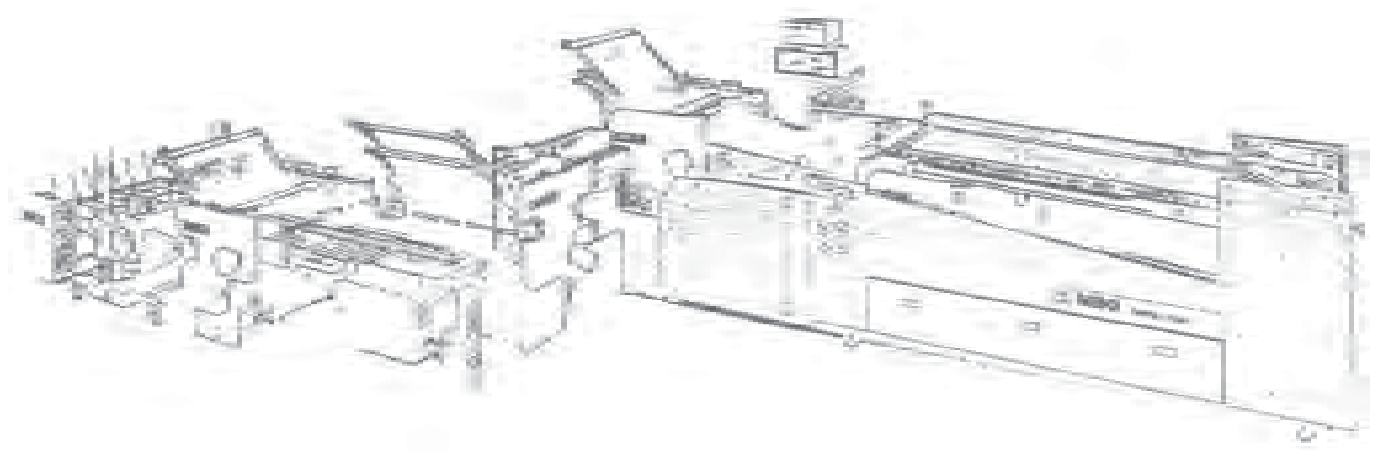
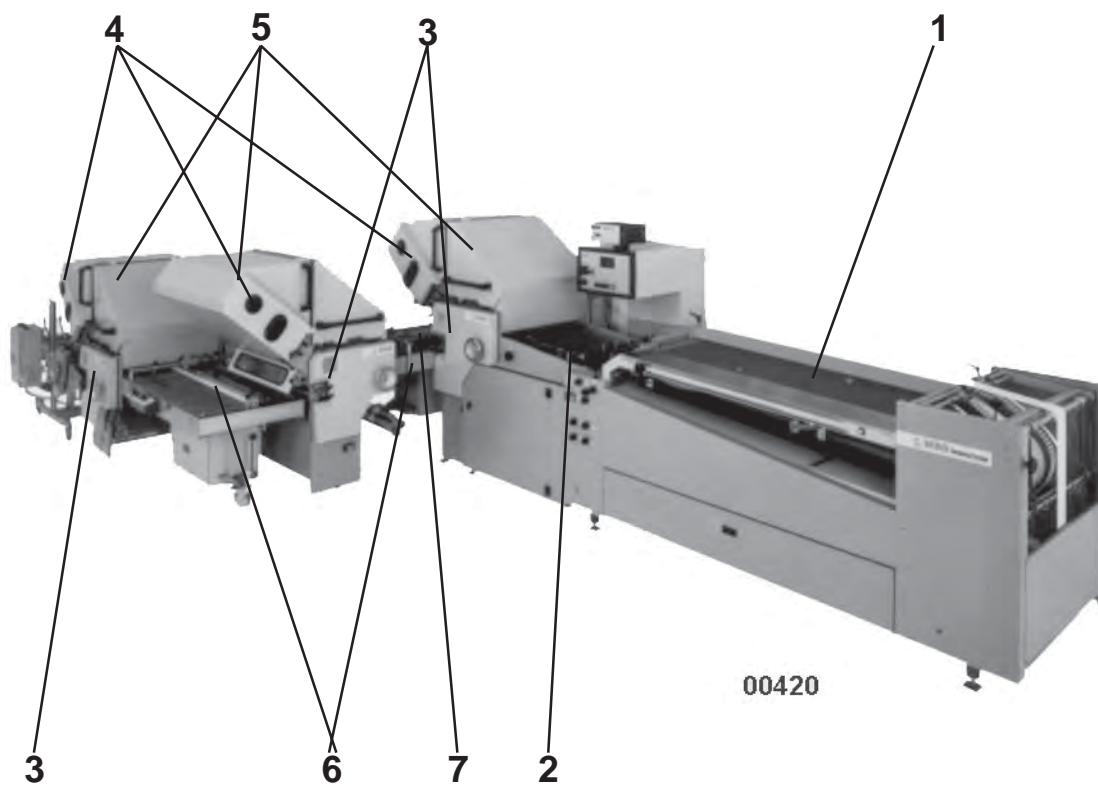


B26-S / B30-S

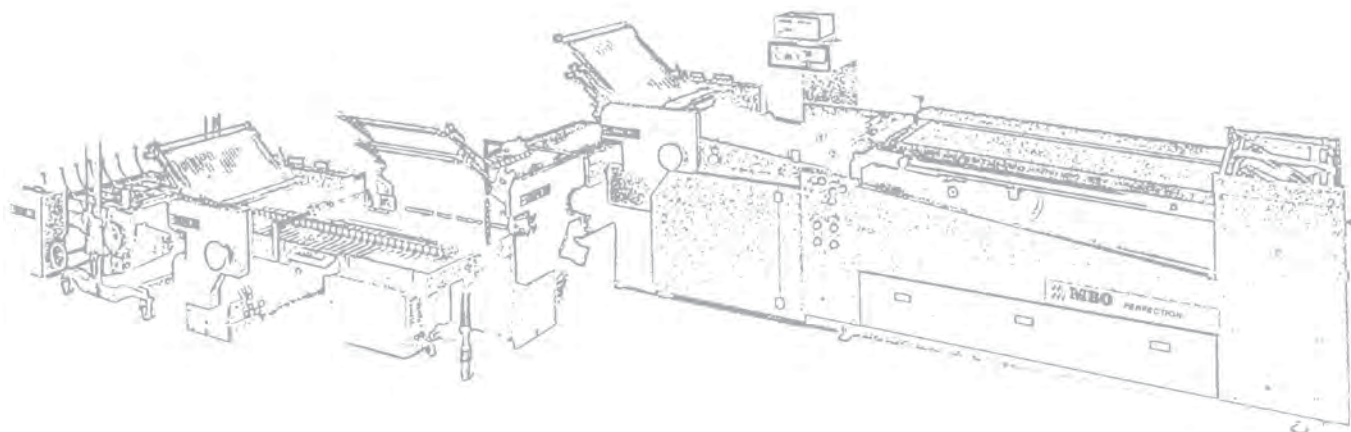
Continuous feeder and Parallel unit to 32 page unit



SPARE PARTS LIST



01	continuous feeder	EL 1730 1 - 16	1 - 35
02	accordion type register table	EL 1740 1 - 5	36 - 45
03	parallelfold unit- 32 page unit	EL 1750 1 - 7	46 - 61
04	buckle plates	EL 1756 1 - 8	62 - 79
05	noise hoods	EL 1757 1 - 2	80 - 83
06	cross carrier register table	EL 1770 1 - 10	84 - 103
07	split guide device	EL 1775 1 - 2	104 - 107

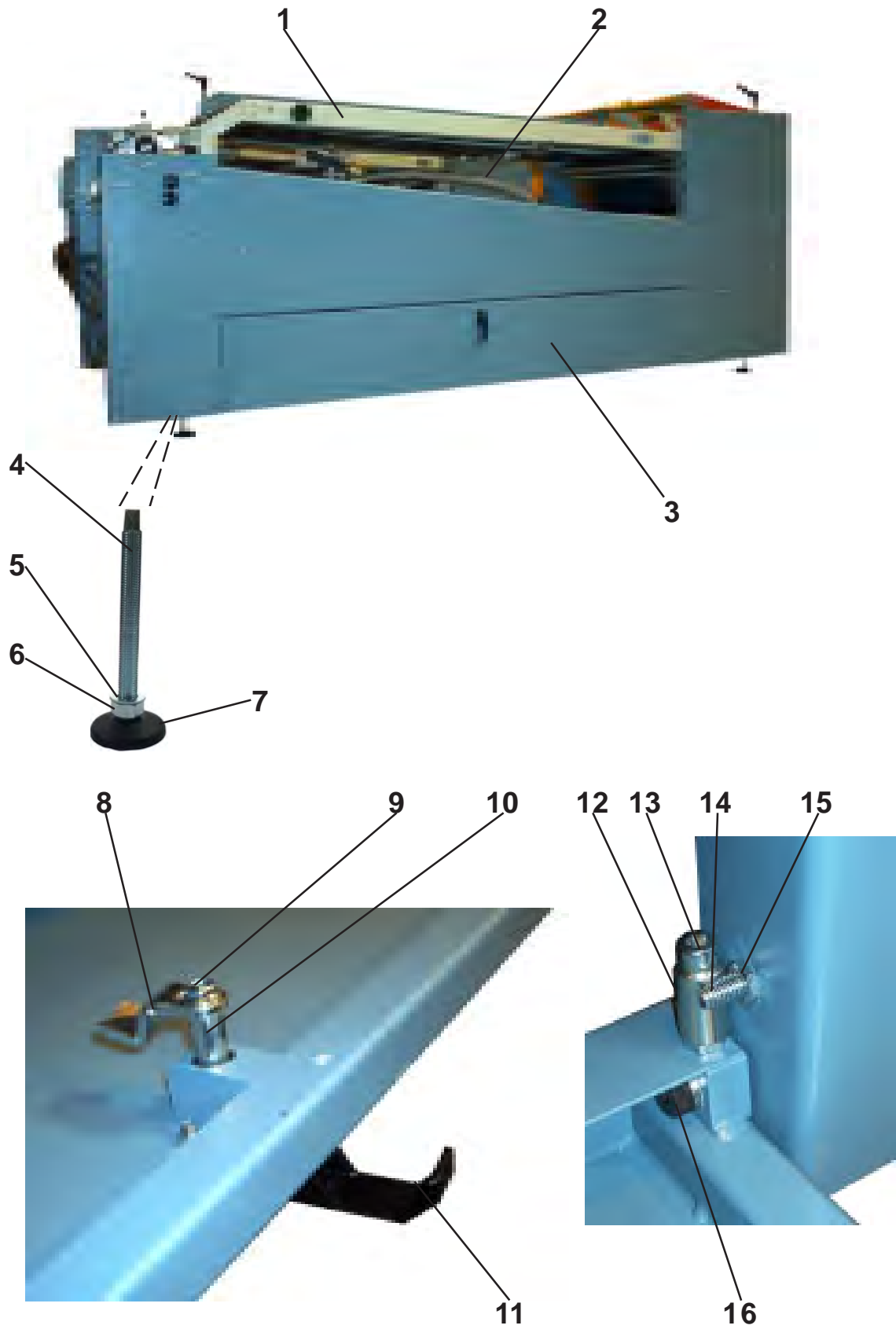


These spare parts catalogues show you all important parts of the machine, delivery and feeder.

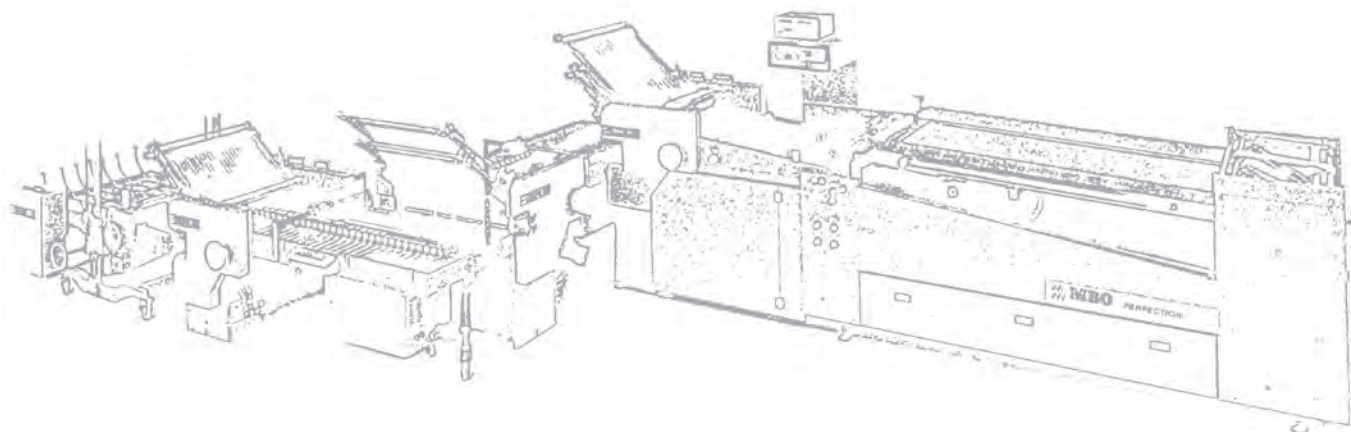
The numeration of the individual parts correspond to our fabrication numbers.

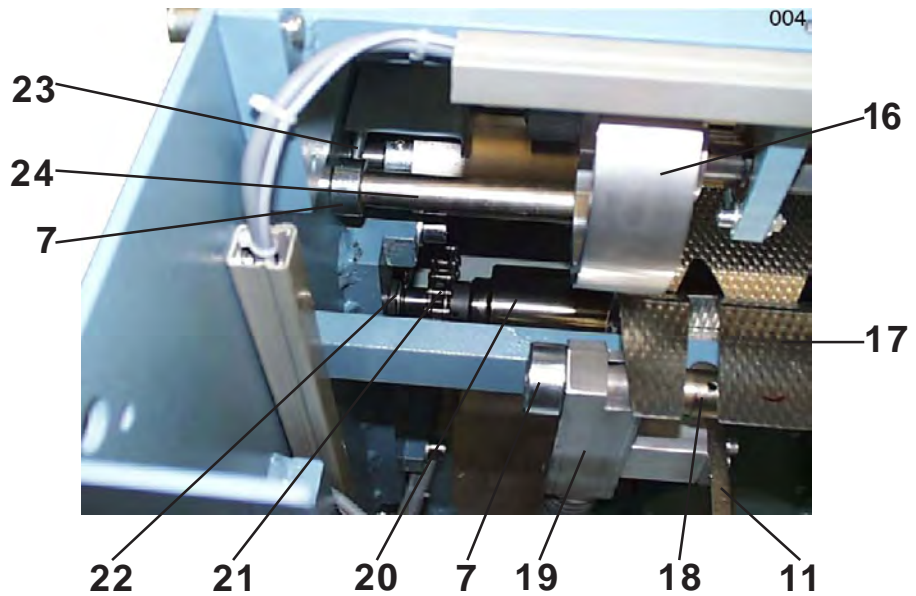
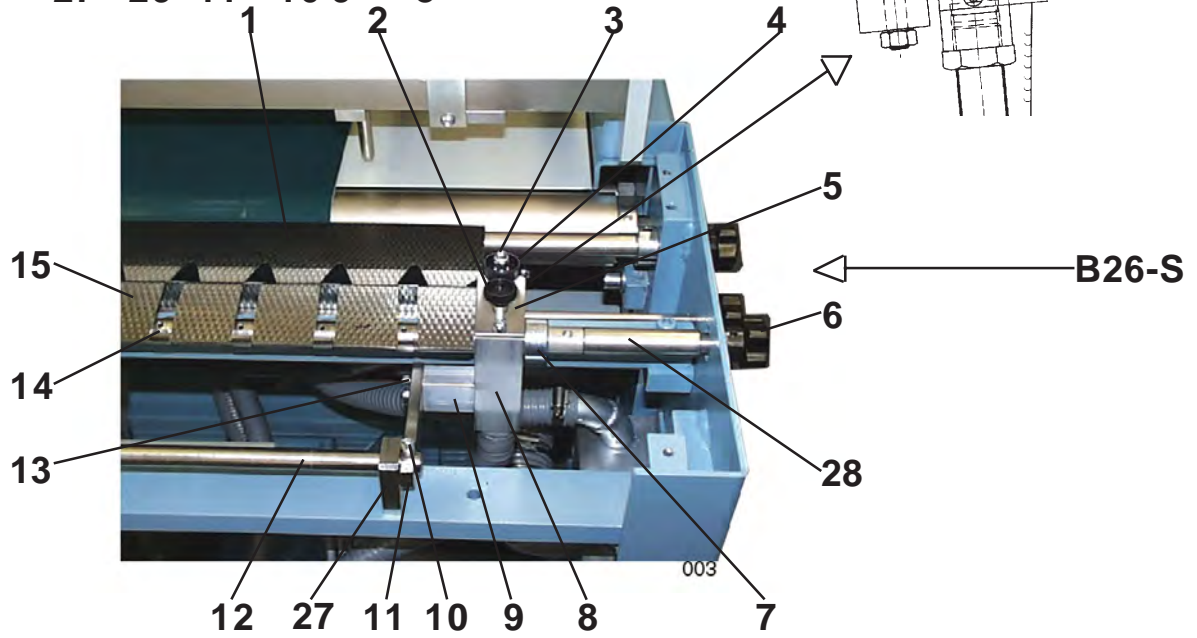
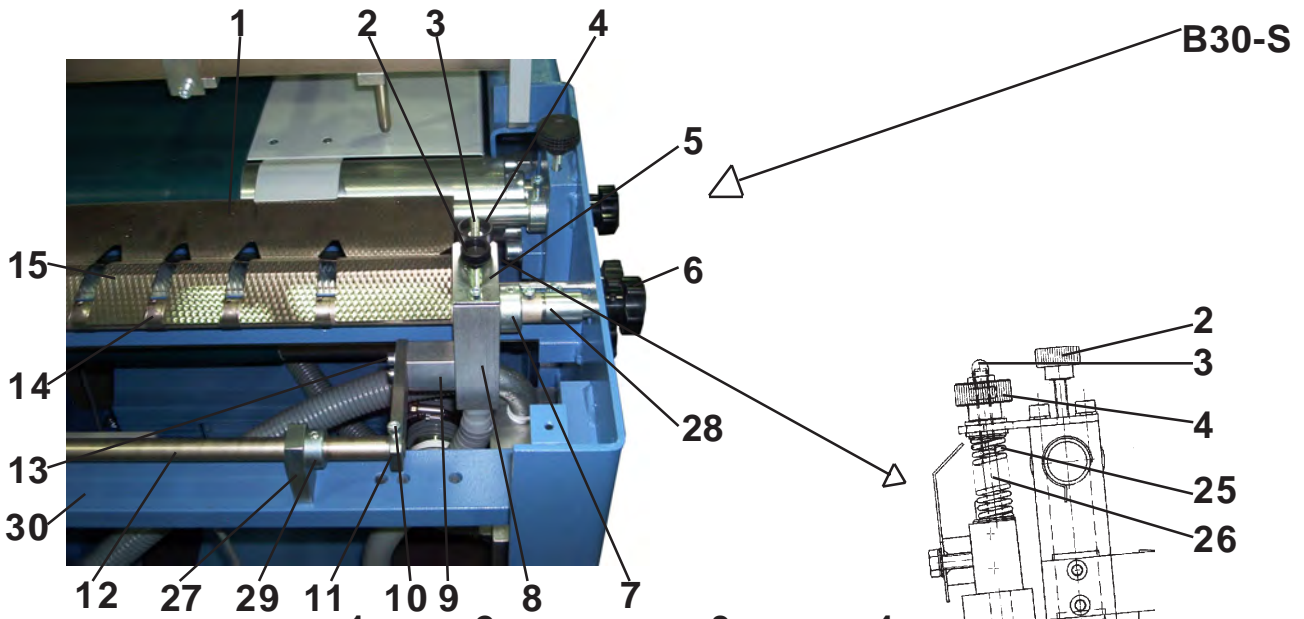
When ordering parts please always indicate the number, this enables us to handle your order faultless and without any delay.

It is also very important to indicate the type and serial number of the machine for which the spare parts are required.

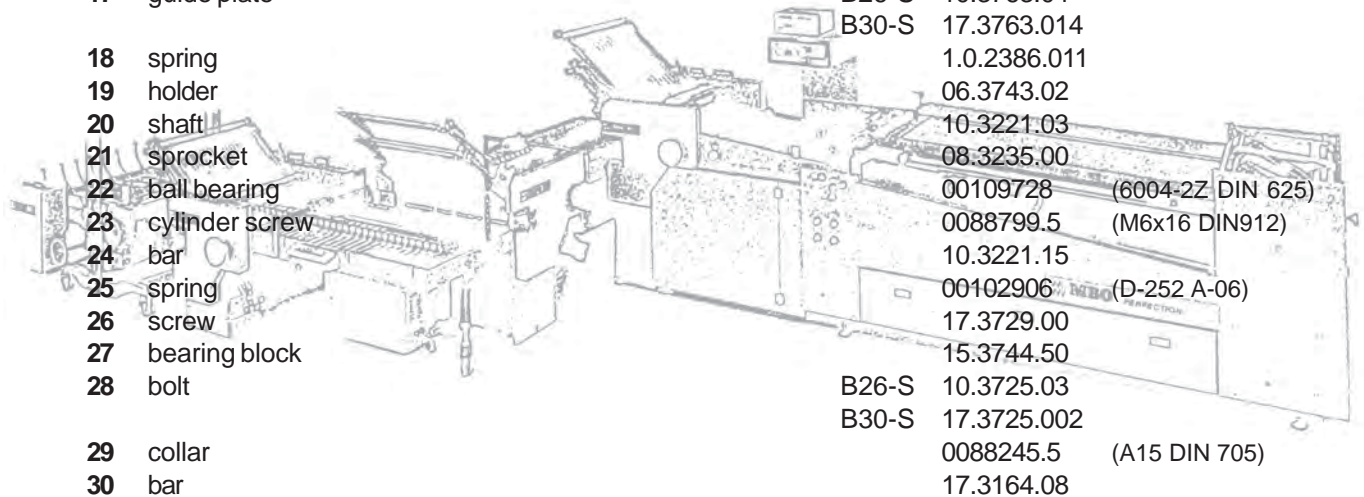


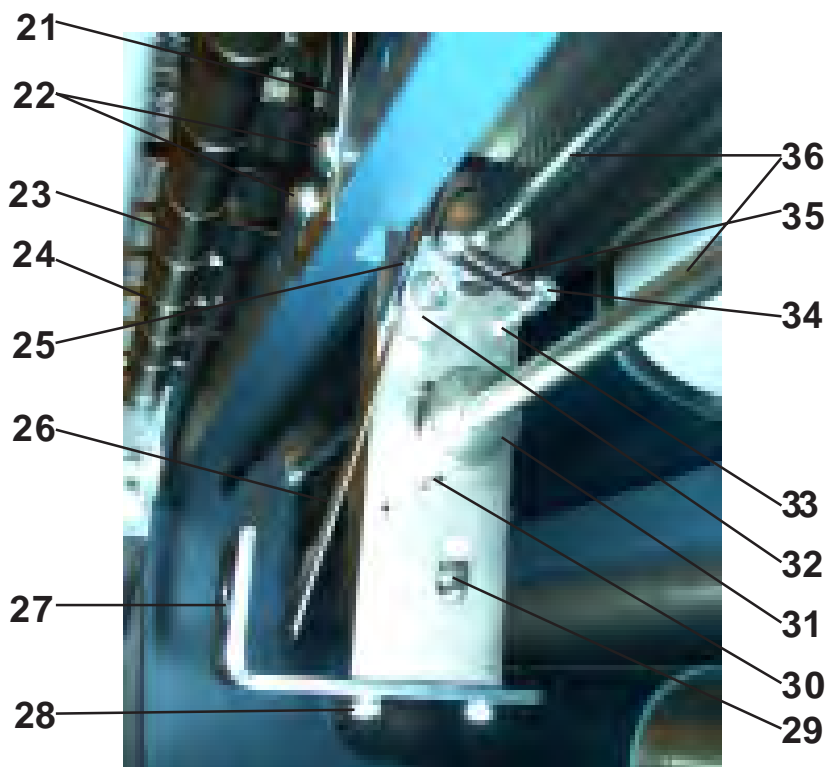
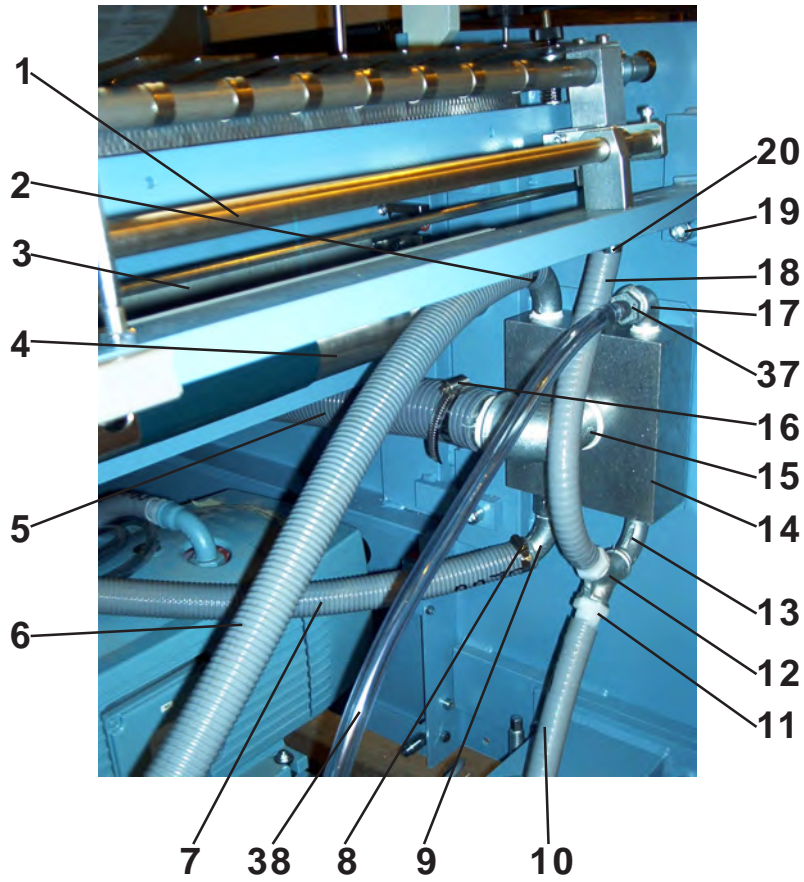
1	top table	17.3363.00	
2	hose	00105026	(EUK 21 2700 mm)
3	flap cpl.	17.3164.25	
4	bolt	0101778	(M12x110)
5	disc	0086215.5	(S12 DIN 125)
6	nut	0090910.5	(M12 DIN 934)
7	pate	00100057	(D63 K126)
8-11	handle cpl.	00100231	
12	distance	5.0.5328.011	
13	cylinder screw	0089045.5	(M8x40 DIN9912)
14	cylinder screw	0088997.5	(M8x20 DIN912)
15	nut	089876.5	(M8 DIN 439)
16	screw	00096206	(M8x10x20 UPS)



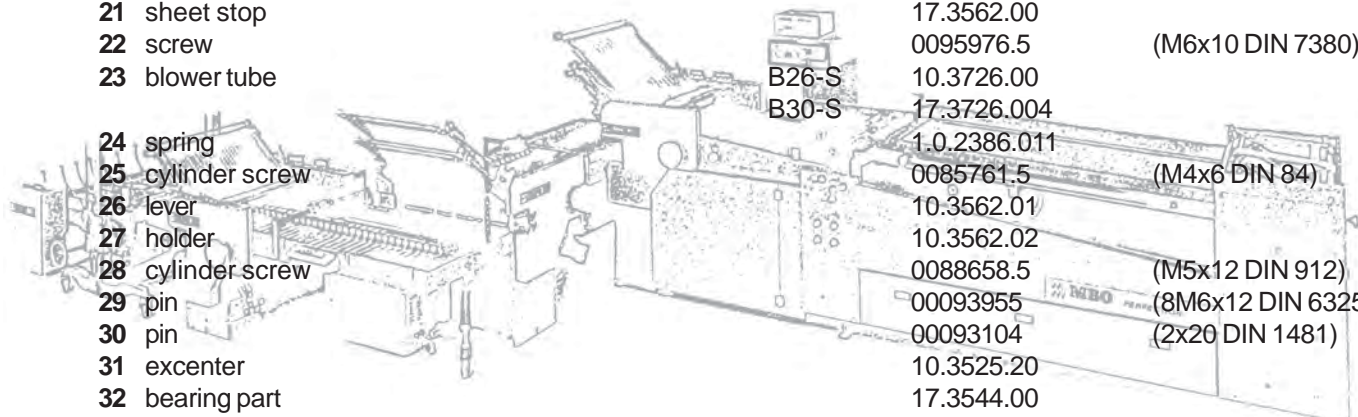


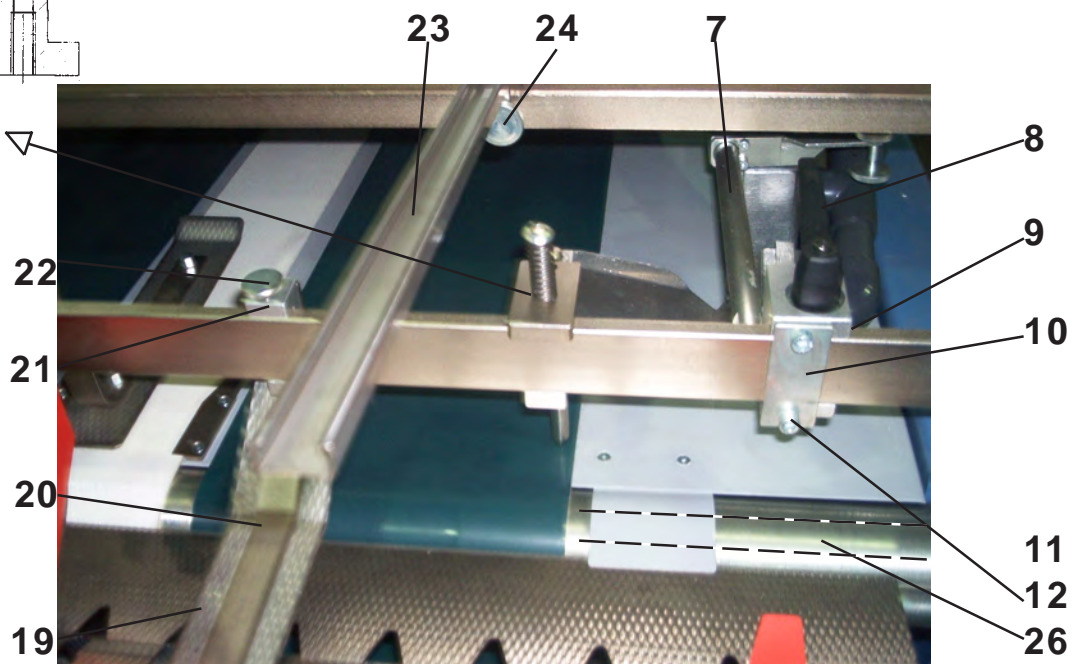
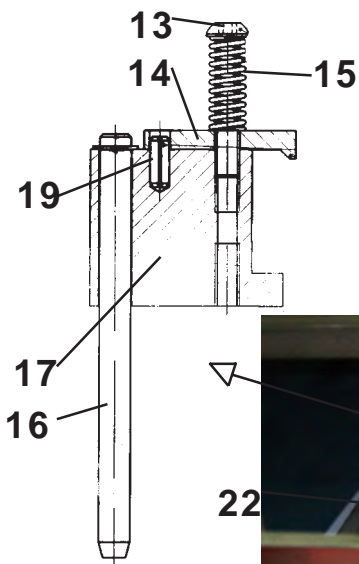
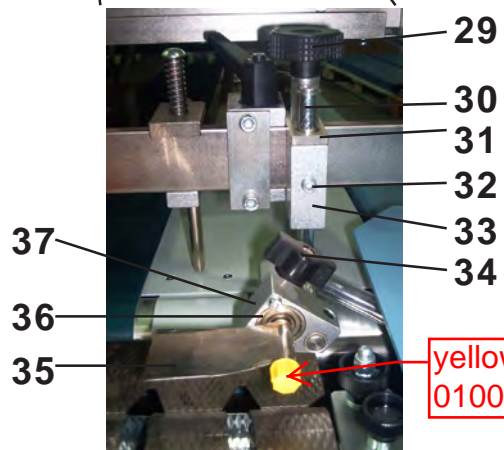
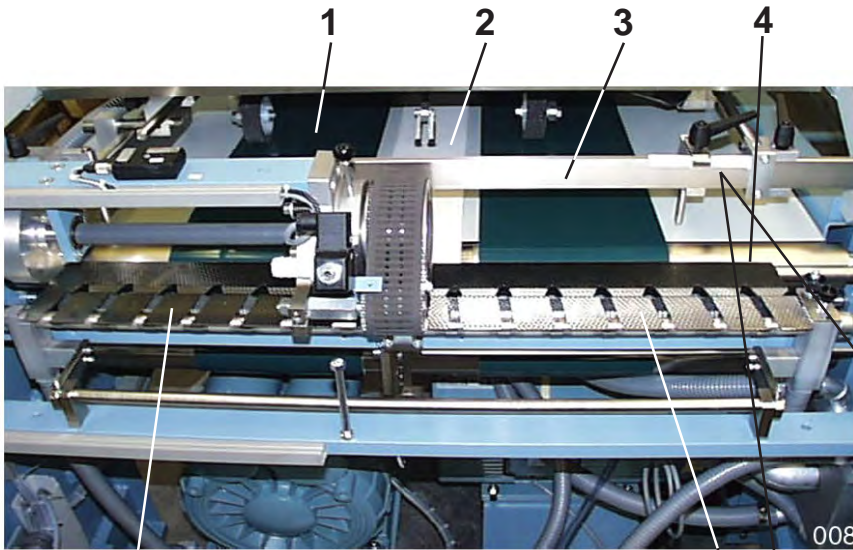
1	adjustment plate	B26-S	10.3763.05	
		B30-S	17.3763.012	
2	knurled nut		00095802	(M5x25 GN421)
3	cap nut		0092148.5	(M6 DIN986)
4	knurled nut		00095877	(M6 GN420)
5	holder		10.3744.03	
6	handle		0100273	(40 B6-S GN5338)
7	collar		0088344.5	(A20 DIN705)
8	holder		06.3743.01	
9	distance		10.3744.01	
10	cylinder screw		0088633.5	(5x8 DIN912)
11	holder		10.3744.20	
12	bar	B26-S	17.3721.03	
		B30-S	10.3721.02	
13	cylinder screw		0088734.5	(M5x45 DIN912)
14	blower tube	B26-S	10.3726.00	
		B30-S	17.3726.004	
15	guide plate	B26-S	10.3763.03	
		B30-S	17.3763.013	
16	pulley		10.2232.00	
17	guide plate	B26-S	10.3763.04	
		B30-S	17.3763.014	
18	spring		1.0.2386.011	
19	holder		06.3743.02	
20	shaft		10.3221.03	
21	sprocket		08.3235.00	
22	ball bearing		00109728	(6004-2Z DIN 625)
23	cylinder screw		0088799.5	(M6x16 DIN912)
24	bar		10.3221.15	
25	spring		00102906	(D-252 A-06)
26	screw		17.3729.00	
27	bearing block		15.3744.50	
28	bolt	B26-S	10.3725.03	
		B30-S	17.3725.002	
29	collar		0088245.5	(A15 DIN 705)
30	bar		17.3164.08	
pos. 14 + 18				
blower tube cpl.		B26-S	10.3700.00	
		B30-S	17.3700.022	



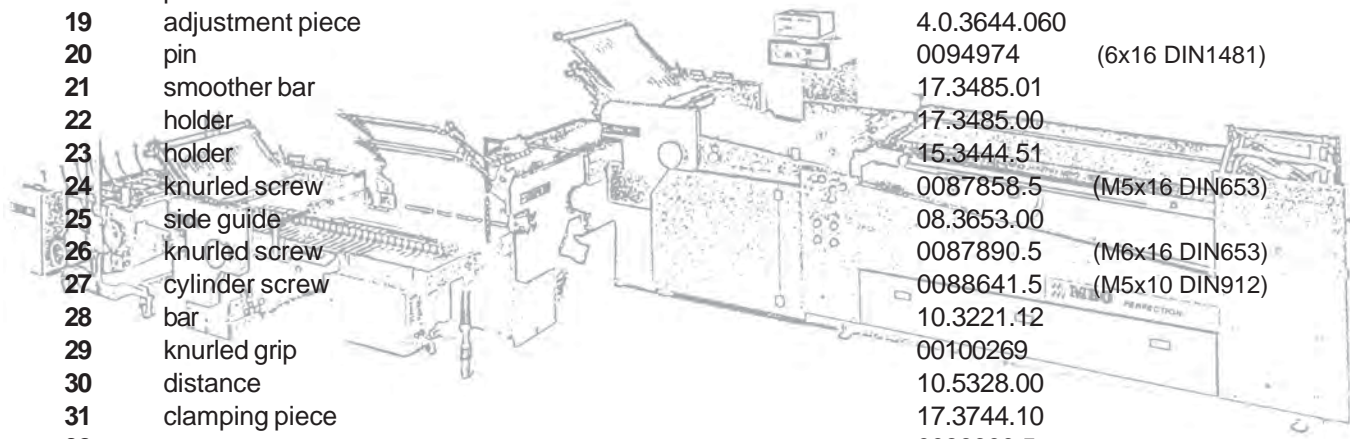


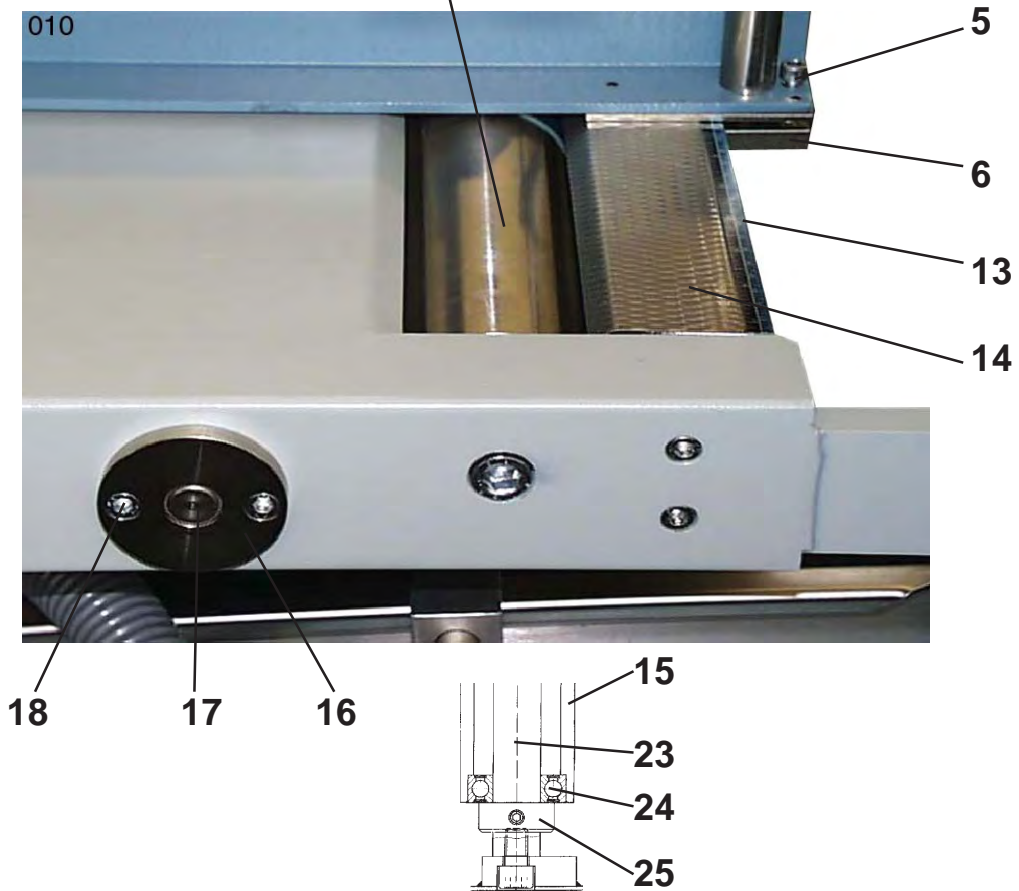
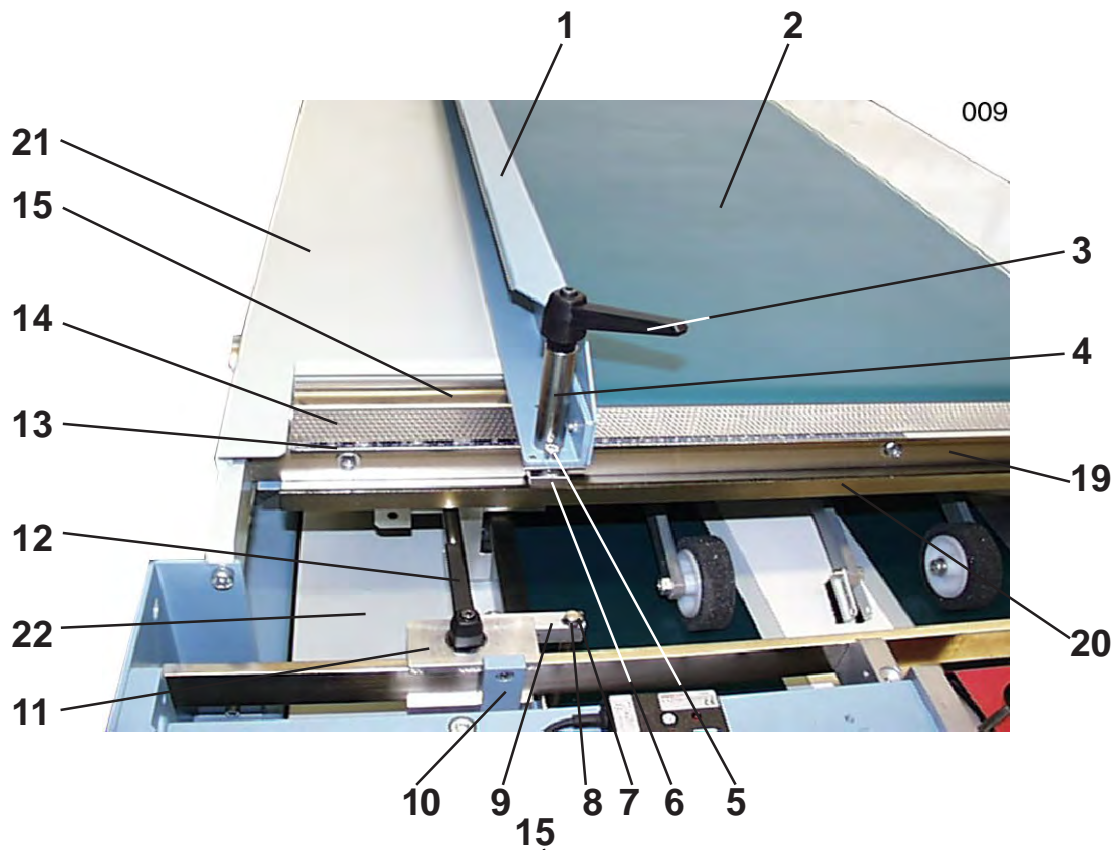
1	bar	B26-S	17.3721.03	
		B30-S	10.3721.02	
2	hose clamp		00105064	(SGL 20-32/9 SKZ)
3	tape roller		10.3224.06	
4	shaft		10.3221.03	
5	hose		00105028	(EVK42-2055mm)
6	hose		00105026	(EVK16-3350mm)
7	hose		00105026	(EVK16-2700mm)
8	hose clamp		00105064	(SGL 20-32/9 SKZ)
9	angle		00084502	(3/4" 2xAG Nr. 3)
10	hose		00105026	(EVK16-1250mm)
11	hose connecting		00084939	(1/2" x 3/4" Nr. 5114)
12	deflector		0085096	(1/2" I/I)
13	angle		0084501	(1/2" A/A G8)
14	housing		17.3744.00	
15	bar		0085234	(R11/2 Nr. 92)
16	hose clamp		0105075	(050-70/13 C7 W2)
17	angle		00085233	(Nr. 92 R1/2")
18	hose		00105026	(EVK16-300mm)
19	cylinder screw		0089284.5	(M12x30 DIN 912)
20	cylinder screw		0089011.5	(M8x30 DIN912)
21	sheet stop		17.3562.00	
22	screw		0095976.5	(M6x10 DIN 7380)
23	blower tube		10.3726.00	
		B26-S	17.3726.00	
		B30-S	17.3726.004	
24	spring		1.0.2386.011	
25	cylinder screw		0085761.5	(M4x6 DIN 84)
26	lever		10.3562.01	
27	holder		10.3562.02	
28	cylinder screw		0088658.5	(M5x12 DIN 912)
29	pin		00093955	(8M6x12 DIN 6325)
30	pin		00093104	(2x20 DIN 1481)
31	excenter		10.3525.20	
32	bearing part		17.3544.00	
33	nut		0090837.5	(M4 DIN 934)
34	cylinder screw		0085886.5	(M4x30 DIN 84)
35	spring		00102582	(Z-024AJI)
36	bar		10.3521.01	
37	hose connecting		00084897	(Nr. 241 R1/2"-R1/4")
38	hose		00104976	(10x3 550mm)



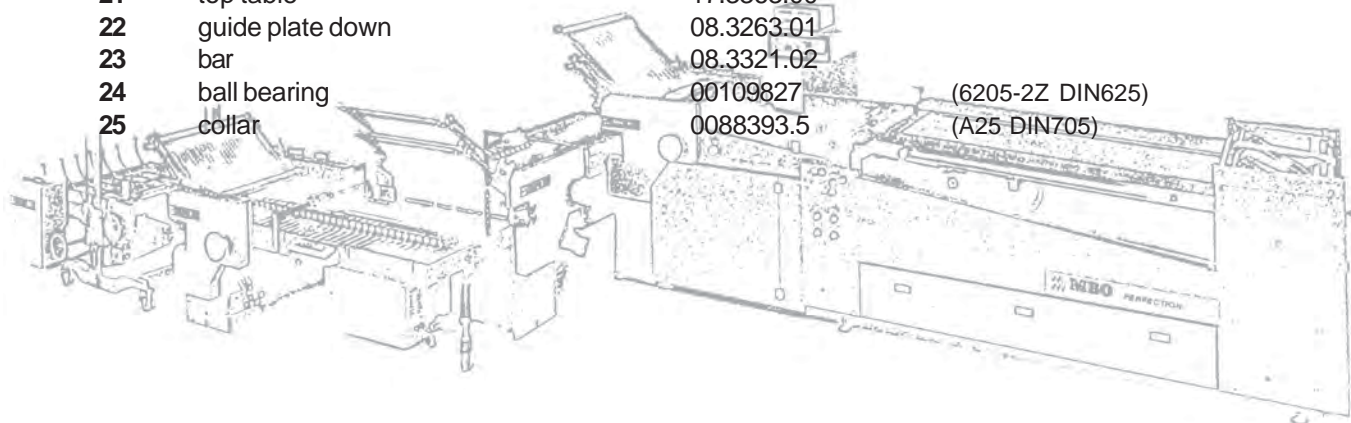


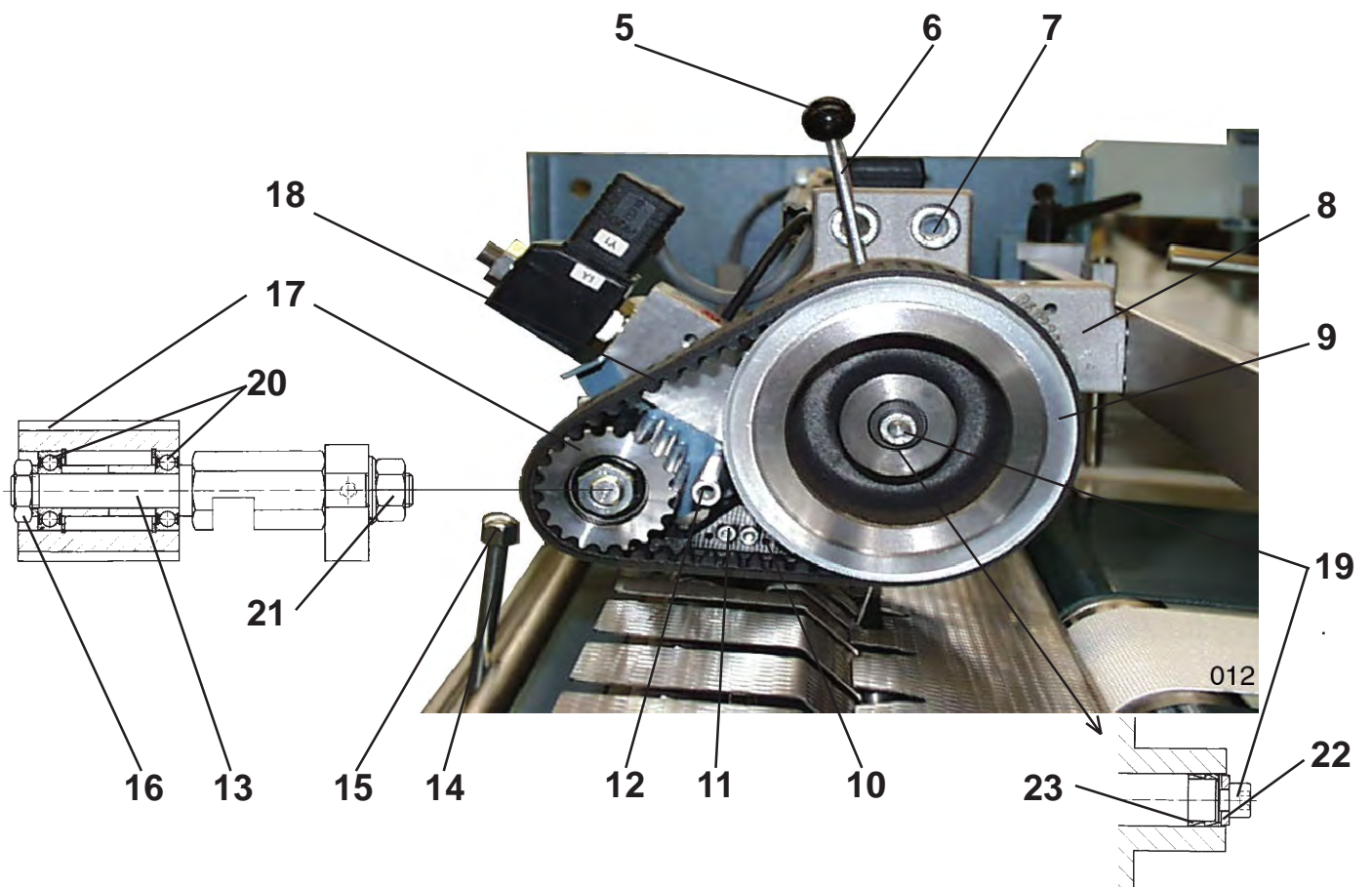
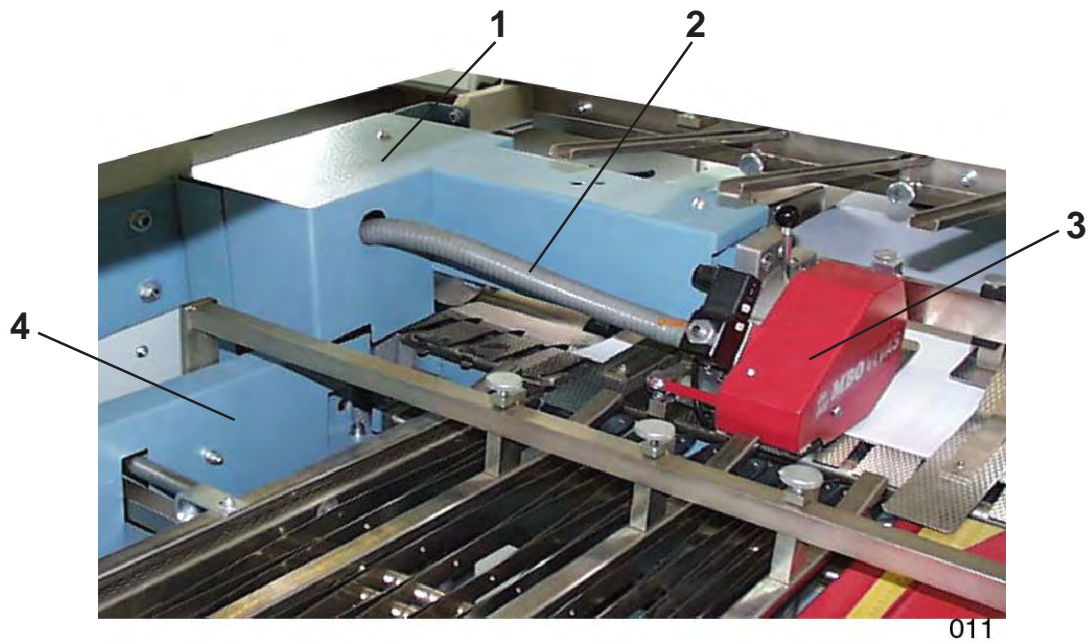
1	flat belt		0106994	Type EM 8/2 210x4680)
2	transport belt		00106981	(100x6700)
3	bar		17.3241.00	
4	adjustment plate	B26-S	10.3763.05	
		B30-S	17.3763.012	
5	guide plate	B26-S	10.3763.03	
		B30-S	17.3763.013	
6	guide plate	B26-S	10.3763.04	
		B30-S	17.3763.014	
7	holder		10.3644.01	
8	screw		00096198	(M6x8H8x16 UPS)
9	bar		10.3721.03	
10	handle		00100646	(M8x20x63 GN500)
11	holder		17.3744.03	
12	plate		17.3744.04	
13	tape roller	SCREW	10.3224.05	M8X45ULS
14	screw		0095984.5	(M6x12 ULS)
15	spring		0102895	(D234 - A)
16	clamping piece		35.3444.01	
17	circlips		0094201.5	(8 DIN6799)
18	pin		5.0.3425.010	
19	adjustment piece		4.0.3644.060	
20	pin		0094974	(6x16 DIN1481)
21	smoother bar		17.3485.01	
22	holder		17.3485.00	
23	holder		15.3444.51	
24	knurled screw		0087858.5	(M5x16 DIN653)
25	side guide		08.3653.00	
26	knurled screw		0087890.5	(M6x16 DIN653)
27	cylinder screw		0088641.5	(M5x10 DIN912)
28	bar		10.3221.12	
29	knurled grip		00100269	
30	distance		10.5328.00	
31	clamping piece		17.3744.10	
32	screw		0089900.5	
33	plate		17.3744.09	
34	air choke		0085280	
35	guide plate		30 480 110	
36	ball bearing		00109595	
37	bearing block		1.0.2344.120	
	pos. 15-20			
	side stop cpl.		1.0.3400.310	
	pos. 21-24			
	smoother cpl.		17.3400.01	
	pos. 30-37			
	blower cpl.		17.3700.08	



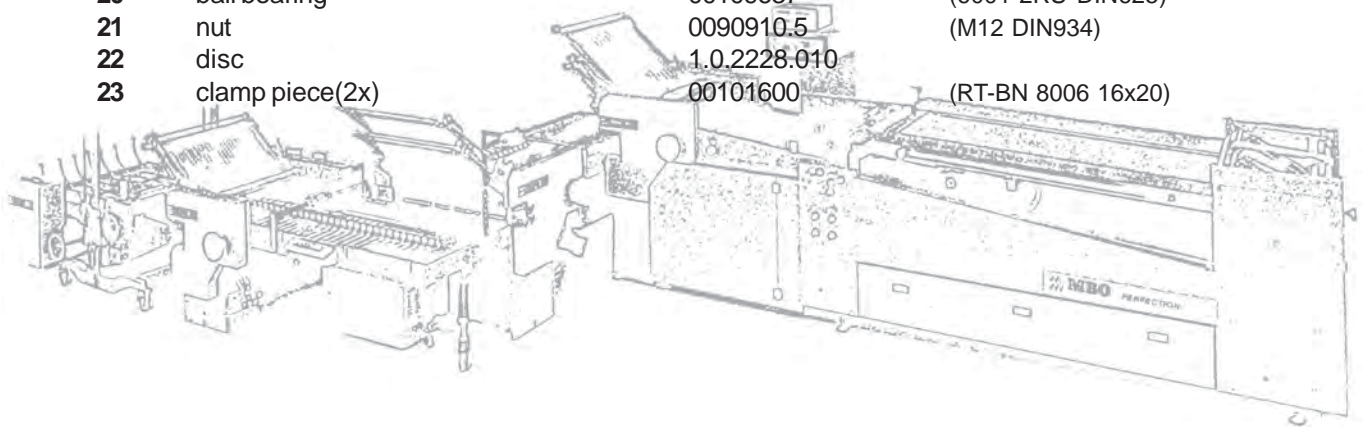


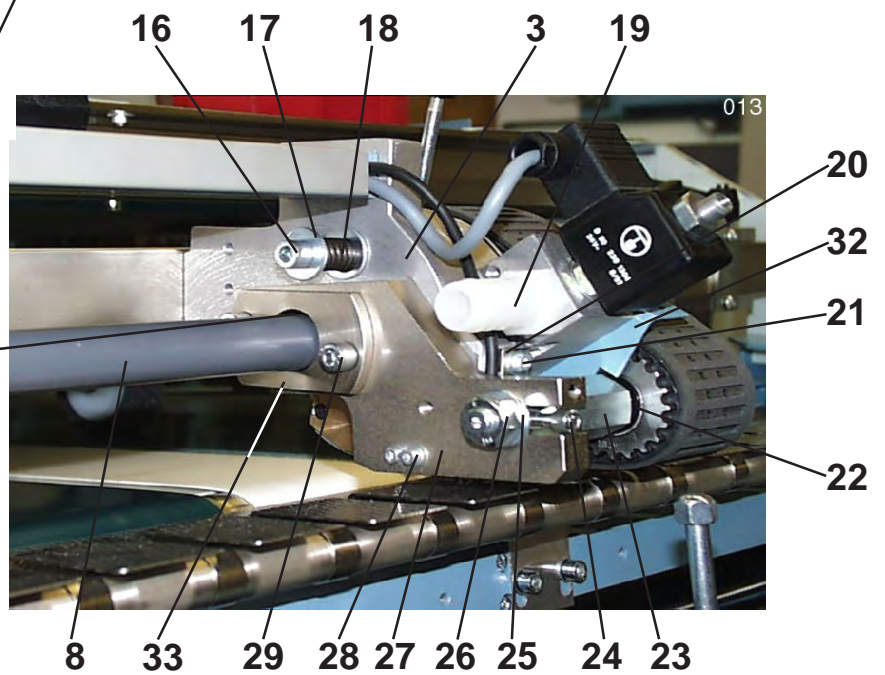
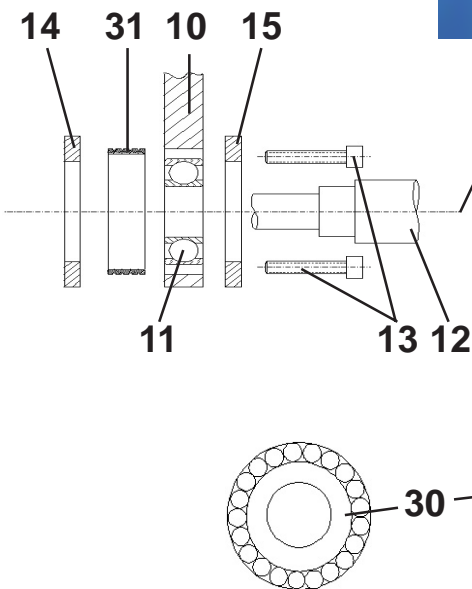
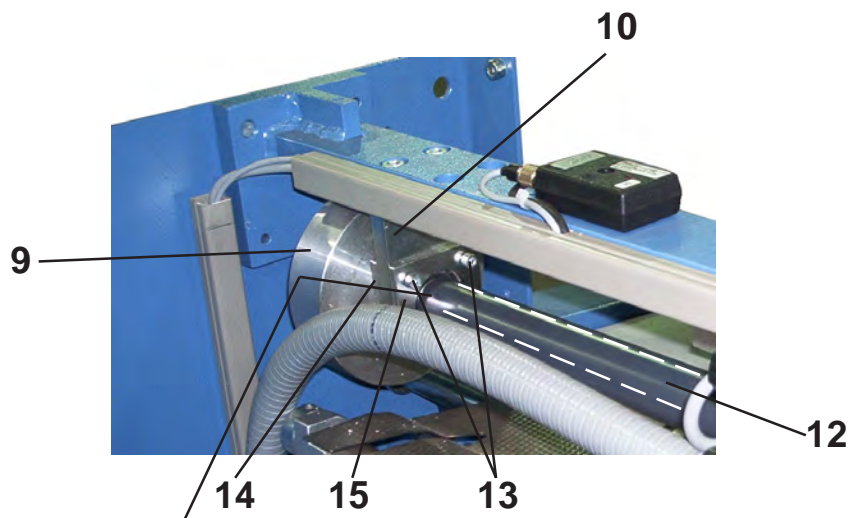
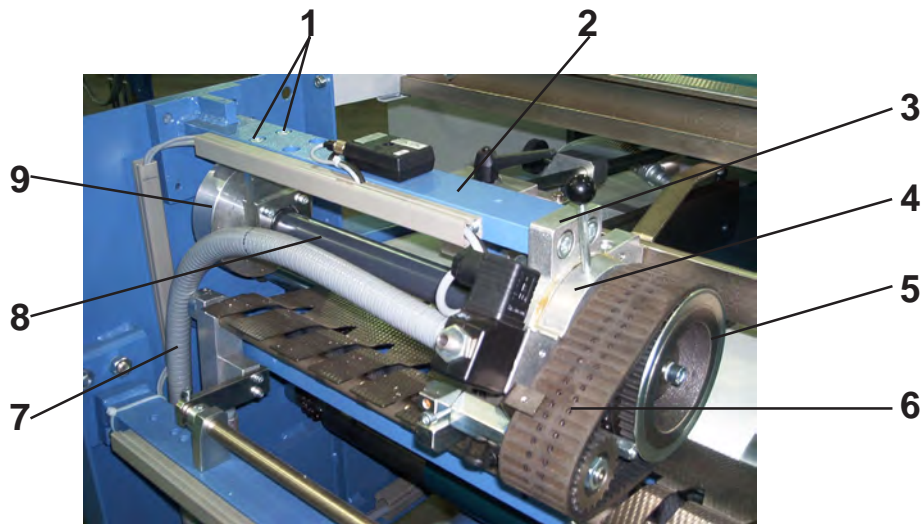
1	sheet stop	17.3461.00	
2	flat belt	0107059	(550x4380)
3	handle	00100646	(M10x80 GN500)
4	clamp screw	10.3425.10	
5	cylinder screw	0088849.5	(M6x30 DIN912)
6	clamp piece	10.3444.10	
7	pin	10.3425.09	
8	circlips	0094201.5	(8 DIN6799)
9	holder	17.3444.01	
10	holder	08.3464.00	
11	adjustment part	1.0.2444.320	
12	handle	00100646	(M8x20 GN500)
13	scale	5.0.5673.010	
14	guide plate	08.3361.04	
15	tape roller	10.3324.03	
16	flange	10.3327.10	
17	shaft	10.3421.02	
18	cylinder screw	0088781.5	(M6x10 DIN912)
19	bar	10.3341.04	
20	bar	10.3353.04	
21	top table	17.3363.00	
22	guide plate down	08.3263.01	
23	bar	08.3321.02	
24	ball bearing	00109827	(6205-2Z DIN625)
25	collar	0088393.5	(A25 DIN705)



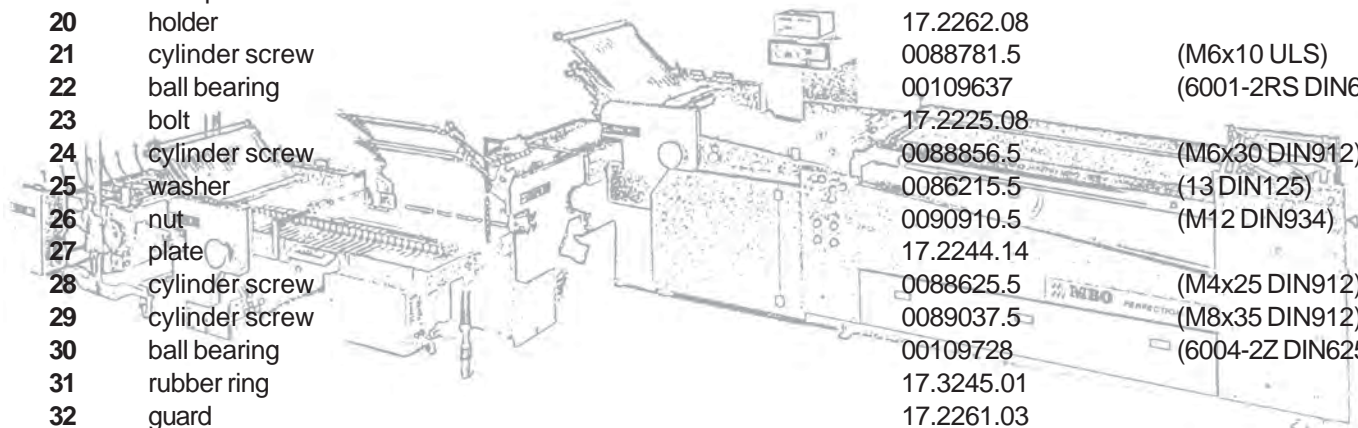


1	guard	B26-S	17.3264.04	
		B30-S	17.3261.012	
2	hose		00105024	(EVK16 - length 92 inch)
3	guard		17.2261.011	
4	guard		17.4161.04	
5	ballknop		00086512	(KU-20-M6-C DIN319)
6	screw		0091409.5	(M6x70 DIN939)
7	cylinder screw		0094896.5	(M12x30 DIN 6912)
8	holder		17.2211.04	
9	suction wheel		17.2211.05	
10	guide		17.2245.01	
11	cylinder screw		0088625.5	(M4x25 DIN912)
12	distance		17.2225.07	
13	bolt		17.2225.08	
14	screw		0091490.5	(M8x90 DIN939)
15	cap nut		0090084.5	(M8 DIN917)
16	nut		0086959.5	(M12 DIN439)
17	toothed pulley		17.2236.02	
18	toothed belt		17.2202.00	
19	cylinder screw		0088997.5	(M8x20 DIN912)
20	ball bearing		00109637	(6001-2RS DIN625)
21	nut		0090910.5	(M12 DIN934)
22	disc		1.0.2228.010	
23	clamp piece(2x)		00101600	(RT-BN 8006 16x20)

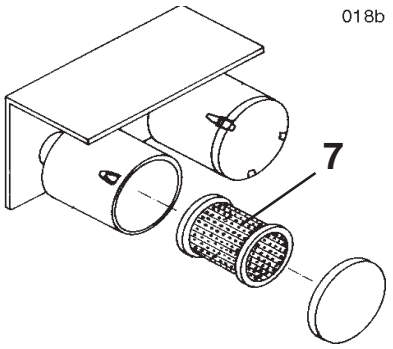
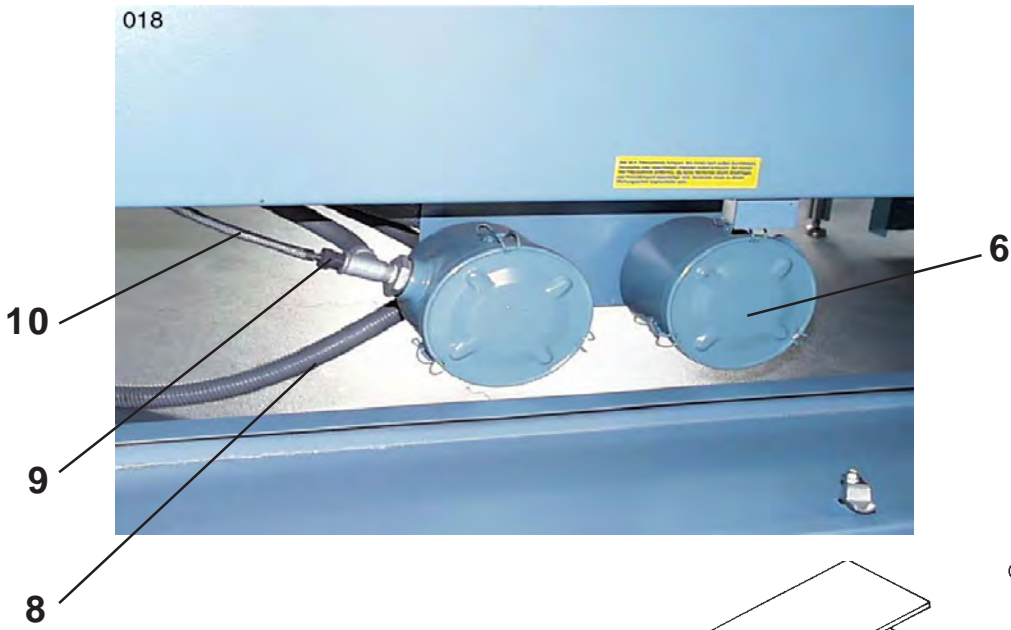
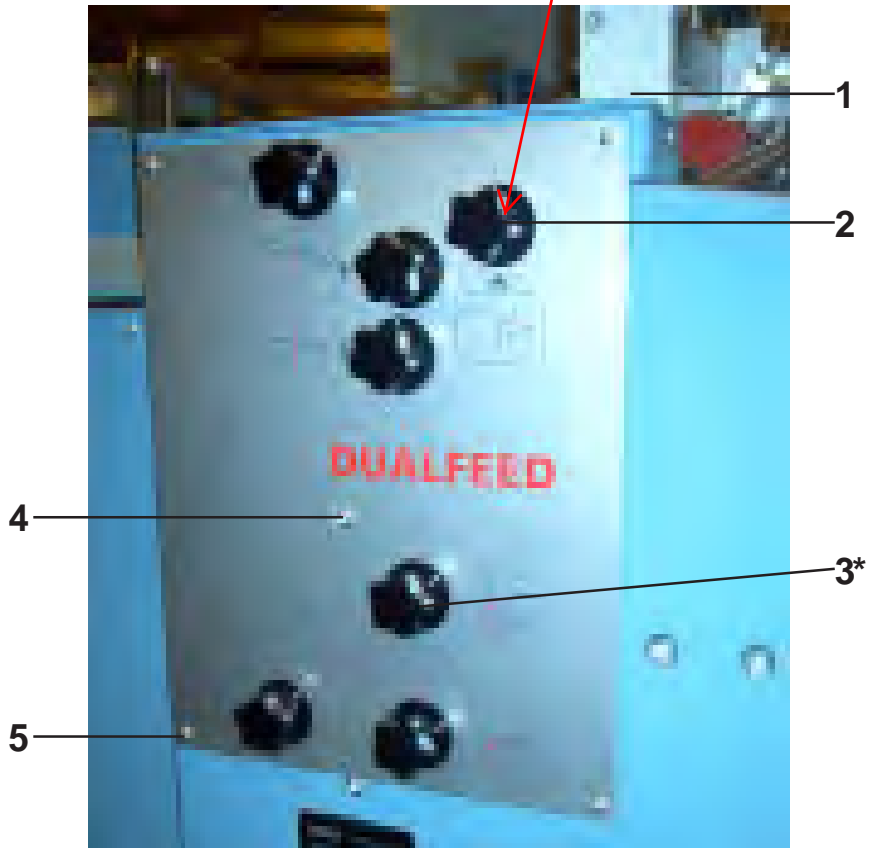




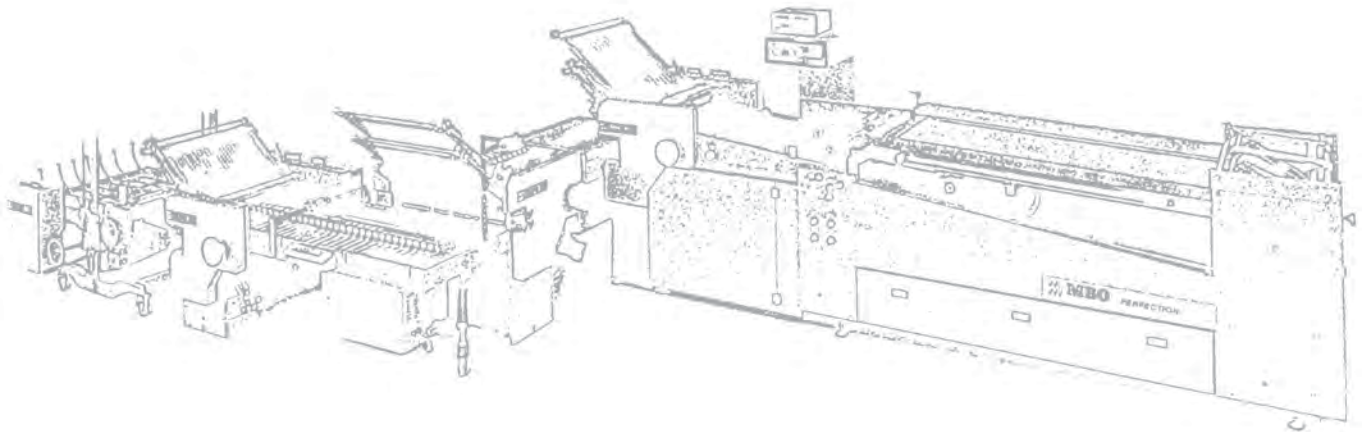
1	cylinder screw		0089003.5	(M8x25 DIN912)
2	bar		17.3264.04	
3	holder		17.2211.04	
4	housing		5.0.2215.022	
5	suction wheel		17.2211.05	
6	toothed belt		17.2202.00	
7	hose		00105024	(EVK16 - length 92 inch)
8	guard	B26-S	17.3226.07	
		B30-S	17.3226.010	
9	pulley		10.2232.00	
10	holder		17.3244.05	
11	ball bearing		00109728	(6004-2Z DIN625)
12	shaft	B26-S	17.3221.23	
		B30-S	17.3221.026	
13	cylinder screw		0088708.5	(M5x25 DIN912)
14	cover		17.3244.07	
15	cover		17.3244.06	
16	cylinder screw		0089096.5	(M8x65 DIN912)
17	washer		0095679.5	(B8 4 DIN9021)
18	spring		00103028	(D285 DIN2098)
19	tube part		1.0.2225.020	
20	holder		17.2262.08	
21	cylinder screw		0088781.5	(M6x10 ULS)
22	ball bearing		00109637	(6001-2RS DIN625)
23	bolt		17.2225.08	
24	cylinder screw		0088856.5	(M6x30 DIN912)
25	washer		0086215.5	(13 DIN125)
26	nut		0090910.5	(M12 DIN934)
27	plate		17.2244.14	
28	cylinder screw		0088625.5	(M4x25 DIN912)
29	cylinder screw		0089037.5	(M8x35 DIN912)
30	ball bearing		00109728	(6004-2Z DIN625)
31	rubber ring		17.3245.01	
32	guard		17.2261.03	
33	flange		17.2227.05	

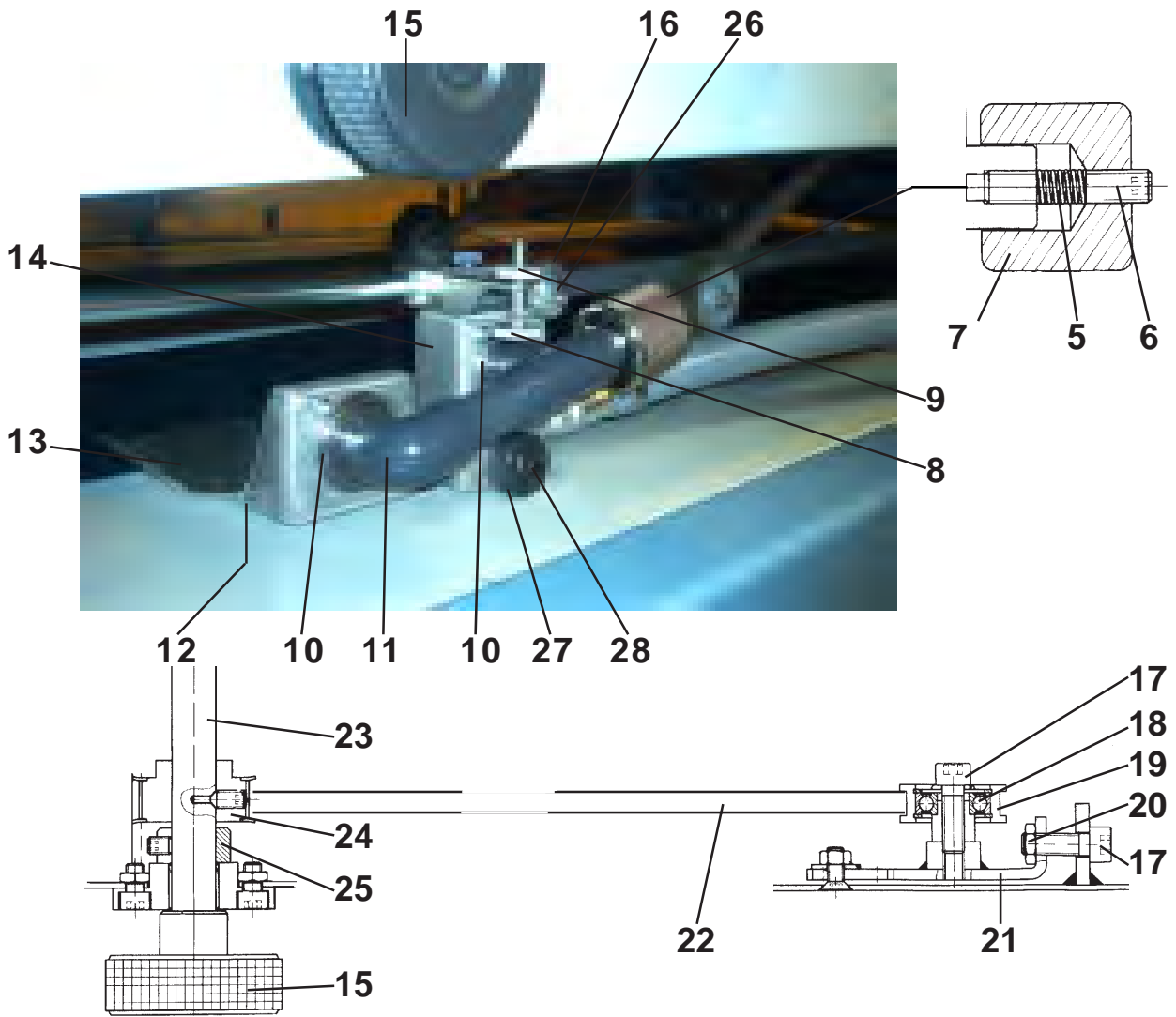
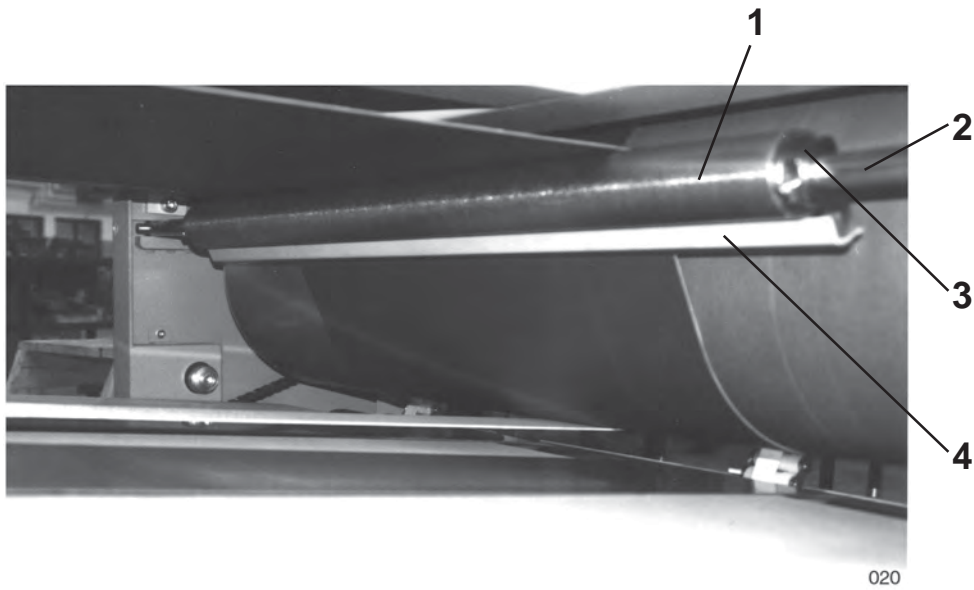


bar behind knob
10.3221.15

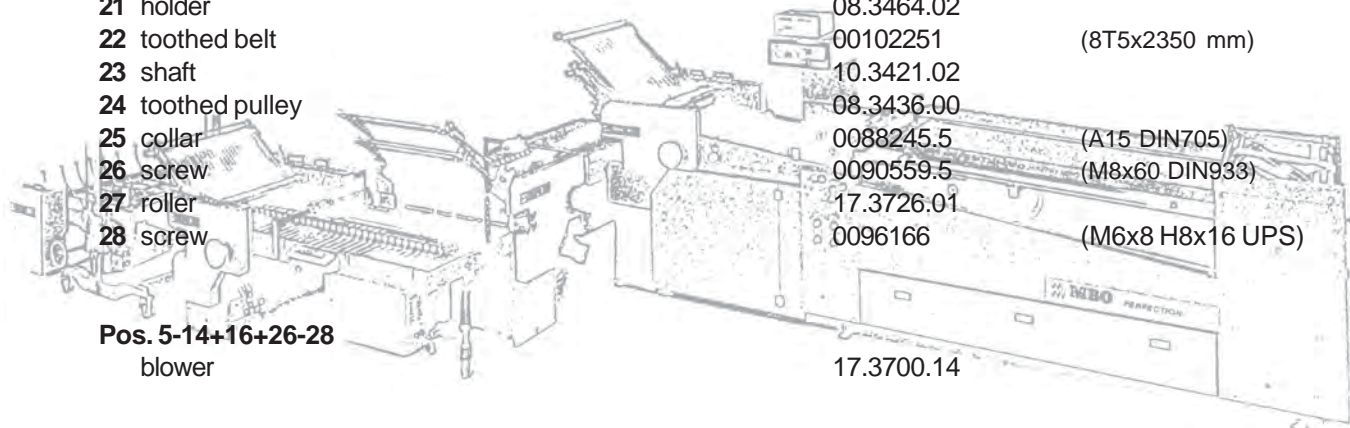


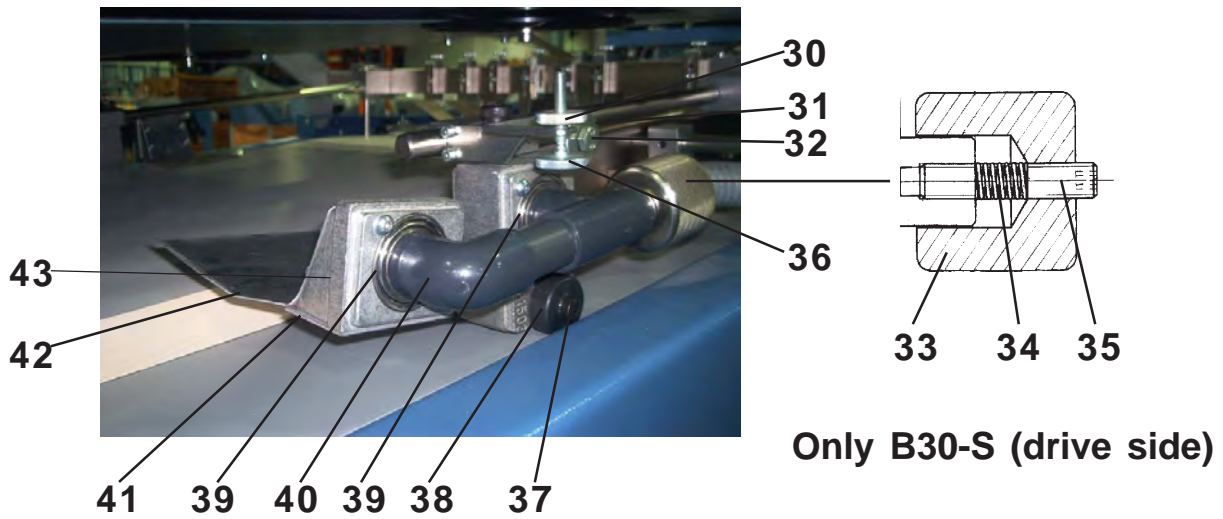
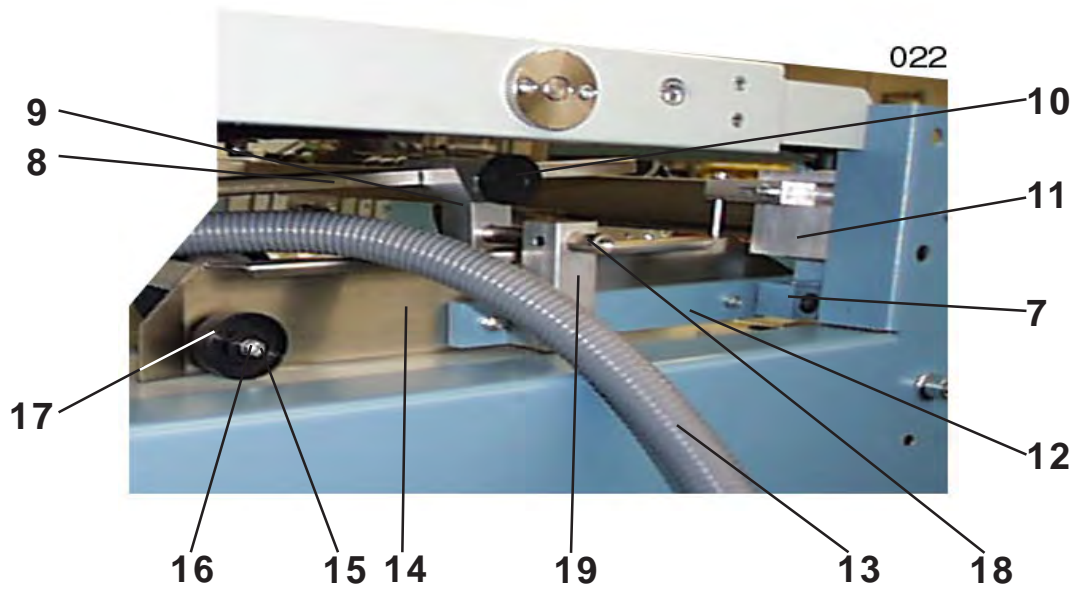
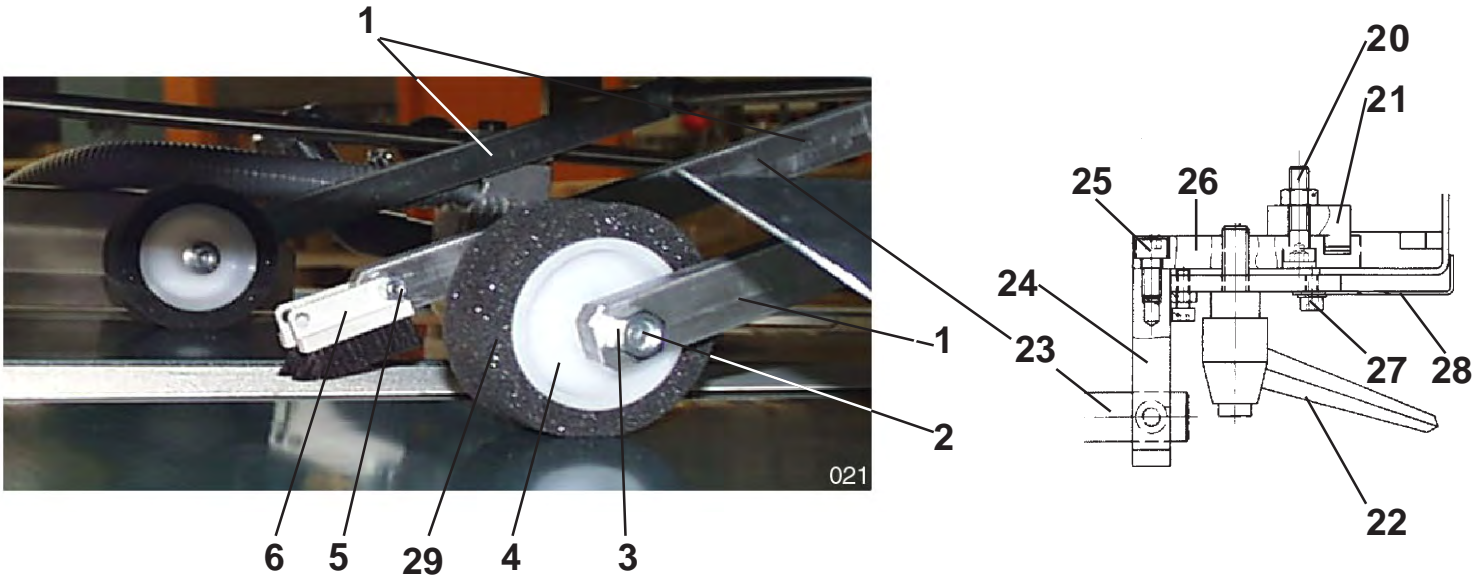
1	cover	17.3164.031	
2	handle	0100273	(B6-S-YO GN 5338)
3*	handle **only by B30-S**	0100273	(B6-S-YO GN 5338)
4	screw	0096032.5	(M8x16 DIN 7380)
5	screw	00095174	(AM 4x8 DIN 7516)
6	filter kit cpl.	0099990	(F110)
7	filter	0100013	
8	hose	00105024	(EVK16=850 mm)
9	tube part	00084632	(Ges 8-R1/2Z)
10	hose	00104968	(8x2 -1760 mm)



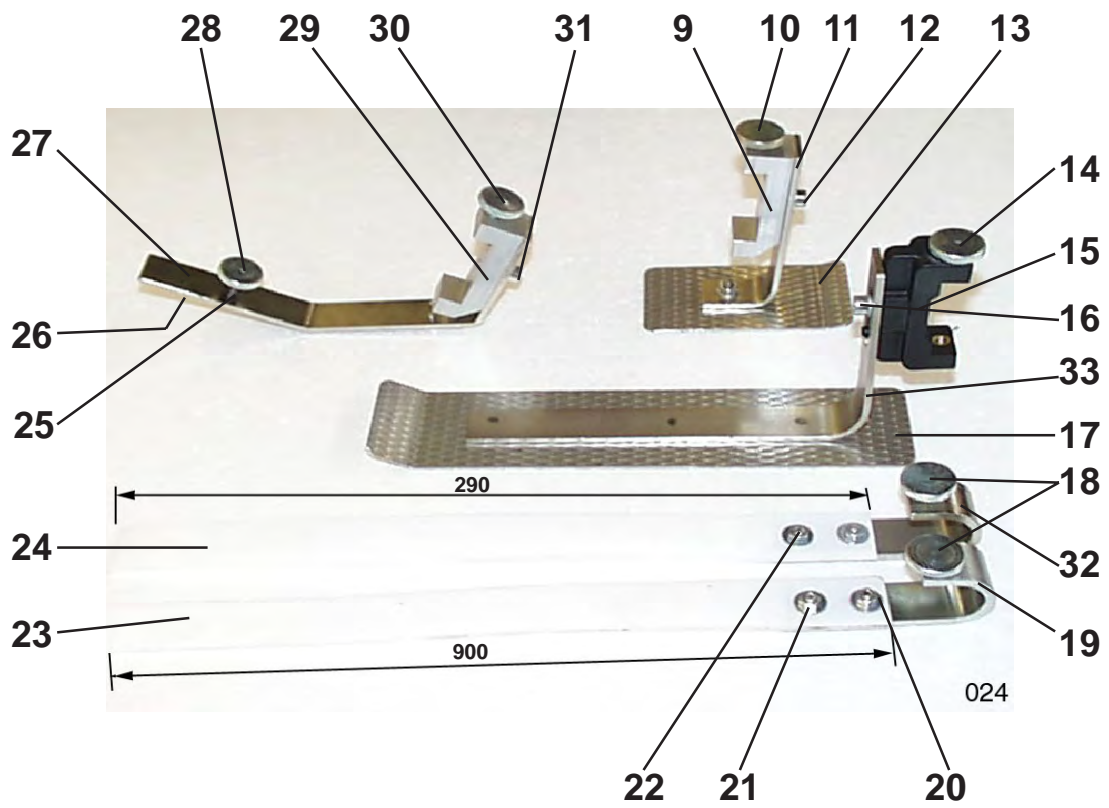
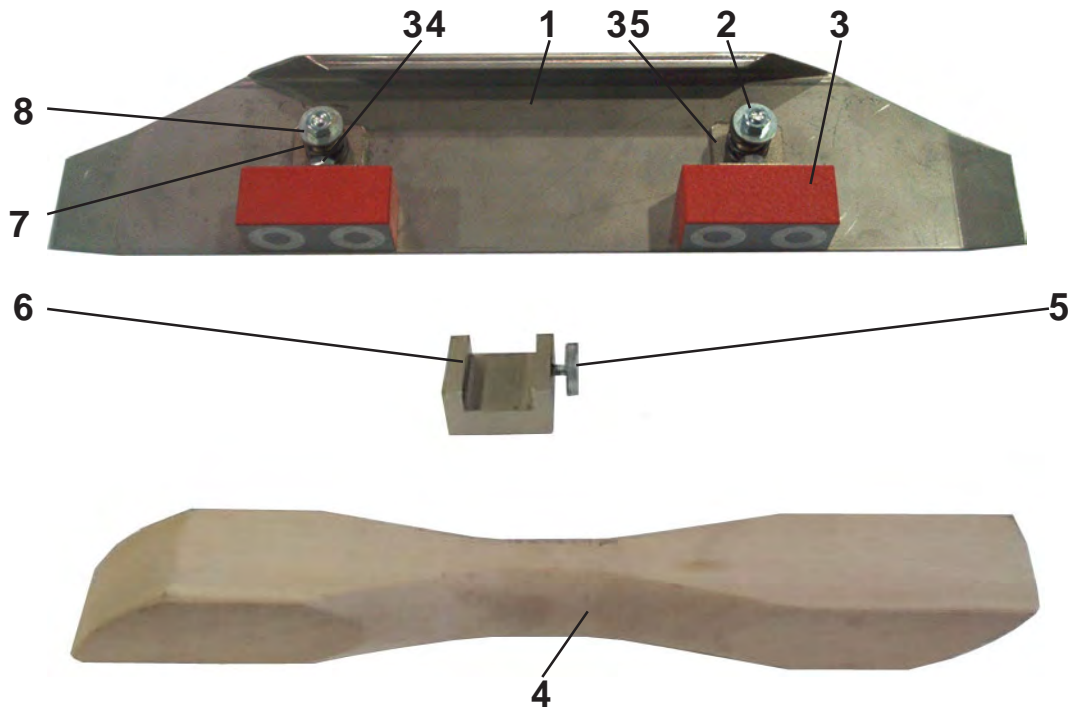


1	tape roller	10.3224.40	
2	bar	10.3221.05	
3	holder	17.3244.04	
4	guard	17.3261.09	
5	spring	00102798	(D180)
6	screw	0089771.5	(M10x50 DIN913)
7	weight	10.3629.00	
8	knurled screw	0087928.5	(M6x40 DIN653)
9	knurled nut	0087148.5	(M6 DIN467)
10	ball bearing	00109736	(6005-2Z-C3)
11	blower tube	5.0.3600.270	
12	plate	5.0.3662.020	
13	guide plate	5.0.3661.020	
14	holder	17.3715.00	
15	knurled grip	00100265	(M12x60 GN534)
16	knurled nut	0087155.5	(M8 DIN 467)
17	cylinder screw	0089003.5	(M8x25 DIN912)
18	ball bearing	00109645	(6001-2Z DIN625)
19	roller	08.3432.00	
20	nut	0086876.5	(BM8 DIN 439)
21	holder	08.3464.02	
22	toothed belt	00102251	(8T5x2350 mm)
23	shaft	10.3421.02	
24	toothed pulley	08.3436.00	
25	collar	0088245.5	(A15 DIN705)
26	screw	0090559.5	(M8x60 DIN933)
27	roller	17.3726.01	
28	screw	0096166	(M6x8 H8x16 UPS)
Pos. 5-14+16+26-28			
blower		17.3700.14	

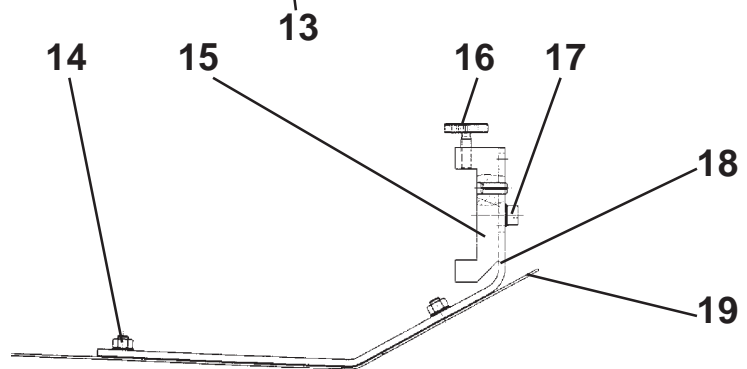
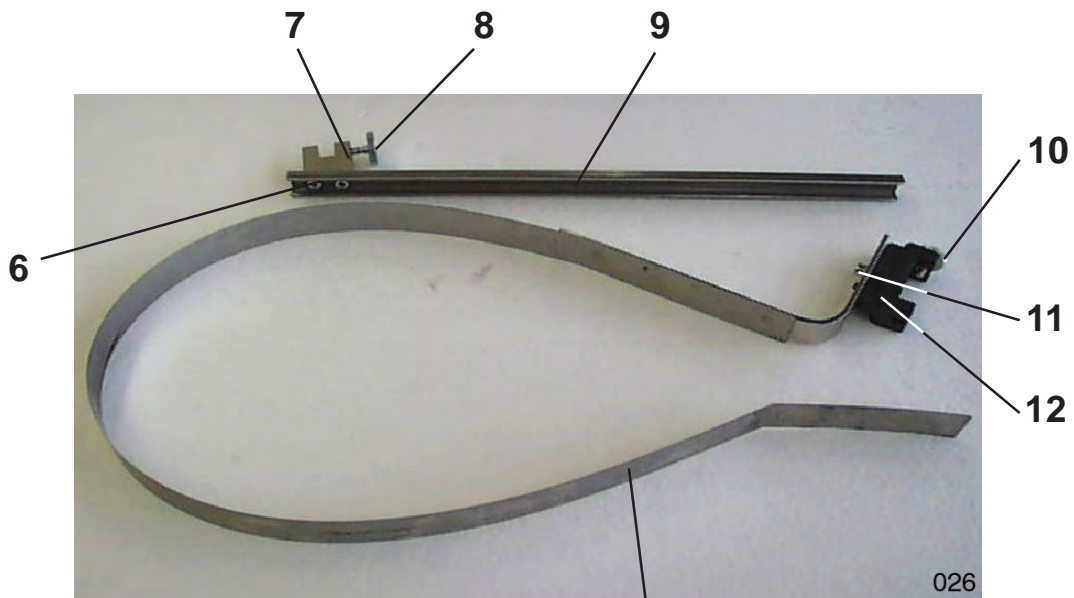
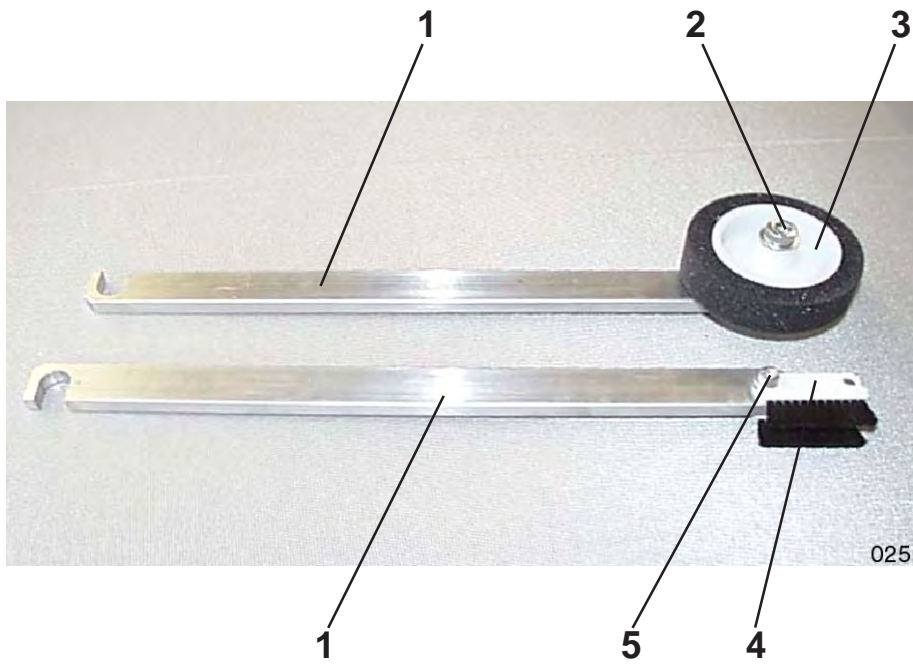




1	lever	10.3444.01	
2	cylinder screw	0094847.5	(M10x55 DIN6912)
3	nut	0090894.5	(M10 DIN934)
4	roller	01.3232.20	
5	cylinder screw	0094668.5	(M5x20 DIN912)
6	brush	17.3244.02	
7	holder	08.3464.00	
8	bar	10.3721.03	
9	holder	17.3744.02	
10	knurled grip	00100272	(M10x50 SW GN534)
11	adjustment part	1.0.2444.320	
12	holder	10.3444.00	
13	hose	00105026	(EVK21 - length 131 inch)
14	side guide	10.3463.00	
15	screw	0095463.5	(M6x35 DIN7991)
16	nut	0090852.5	(M6 DIN934)
17	roller	00109504	(600.10)
18	bolt	17.3426.00	
19	holder	17.3444.03	
20	cylinder screw	0094748.5	(M6x25 DIN6912)
21	clamp piece	2.0.5644.051	
22	handle	00100646	(M8x20 GN500)
23	bar	1.0.3421.03	
24	holder	17.3444.02	
25	cylinder screw	0088799.5	(M6x12 DIN912)
26	holder	10.3444.05	
27	cylinder screw	0088591.5	(M4x12 DIN912)
28	indicator	10.3462.01	
29	ring	01.3239.20	
30	knurled nut	0087148.5	(M6 DIN467)
31	knurled nut	0087155.5	(M8 DIN 467)
32	screw	0090559.5	(M8x60 DIN933)
33	weight	10.3629.00	
34	spring	00102798	(D180)
35	screw	0089771.5	(M10x50 DIN913)
36	knurled screw	0087928.5	(M6x40 DIN653)
37	screw	0096166	(M6x8 H8x16 UPS)
38	roller	17.3726.01	
39	ball bearing	00109736	(6005-2Z-C3)
40	blower tube	5.0.3600.270	
41	plate	5.0.3662.020	
42	guide plate	5.0.3661.020	
43	holder	17.3715.00	
	pos. 4 + 29		
	roller cpl.	01.3200.60	
	pos. 07+12 + 14-17		
	side guide cpl.	10.3400.02	
	pos. 30-43		
	side blower cpl.	17.3700.14	



1	side guide	10.3461.00	
2	screw	0092031.5	(M6x30 DIN7991)
3	magnet	0100872	
4	fan out block	1.0.3318.010	
5	knurled screw	0087858.5	(M5x16 DIN653)
6	weight	10.3744.10	
7	spring	20 480 150	
8	washer	0095661.5	(6,4 DIN9021)
9	holder	15.3444.5	
10	knurled screw	0087858.5	(M5x16 DIN653)
11	holder	17.3485.02	
12	cylinder screw	0088658.5	(M5x12 DIN912)
13	smoother	17.3485.03	
14	knurled screw	0087858.5	(M5x16 DIN653)
15	holder	2.0.2414.010	
16	cylinder screw	0088658.5	(M5x12 DIN912)
17	smoother	35.2462.01	
18	knurled screw	0087825.5	(M5x10 DIN653)
19	holder	2.0.3364.040	
20	washer	0095646.5	(B4,3 DIN9021)
21	nut	0090837.5	(M4 DIN934)
22	screw	0095257.5	(M4x10 DIN7991)
23	flat belt	08.3202.01	
24	flat belt	17.3202.00	
25	spring	00102772	(D165C)
26	smoother	15.3485.52	
27	holder	15.3485.51	
28	knurled screw	0087858.5	(M5x16 DIN653)
29	holder	15.3444.51	
30	knurled screw	0087858.5	(M5x16 DIN653)
31	cylinder screw	0088658.5	(M5x12 DIN912)
32	holder	16.3244.05	
33	holder	35.2444.05	
34	screw	0090332.5	(M6x12 DIN933)
35	holder	17.3444.05	
pos. 1-3+7+8+34+35 left side guide		17.3400.13	
pos. 9-13 smoother cpl.		17.3400.02	
pos. 14-17+33 smoother cpl.		5.0.2400.230	
pos. 18-23 smoother cpl.		10.3200.10	
pos. 18+20-22+24+32 smoother cpl.		16.3200.09	
pos. 25-31 smoother cpl.		15.3400.52	
pos. 17-33 smoother cpl.		5.0.2400.250	

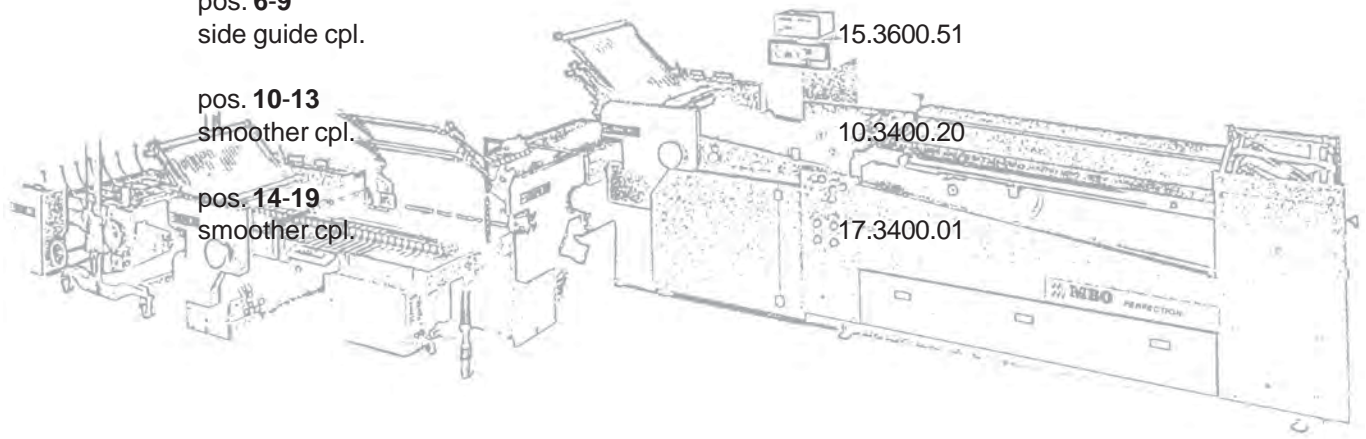


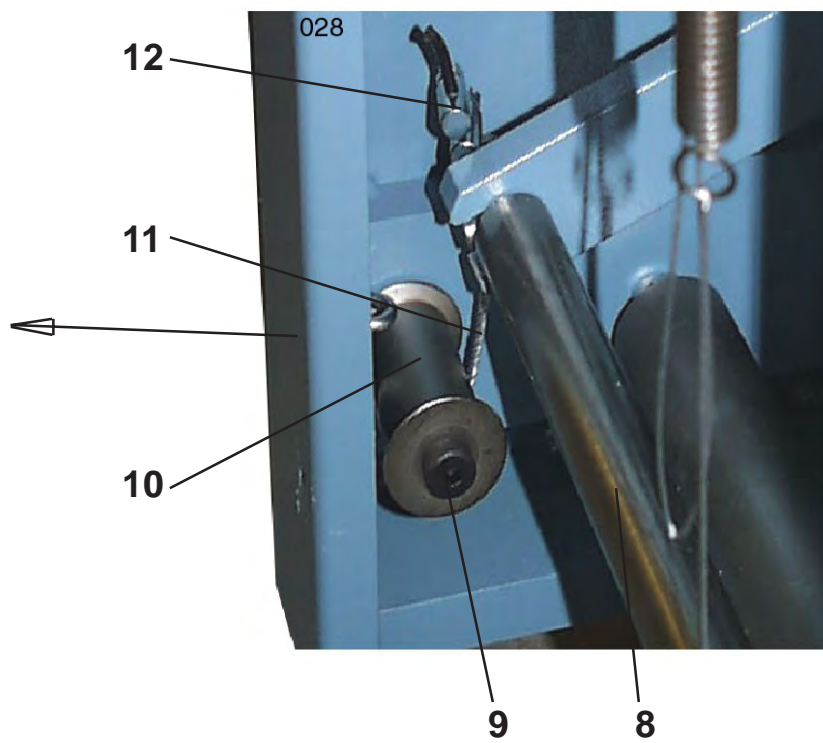
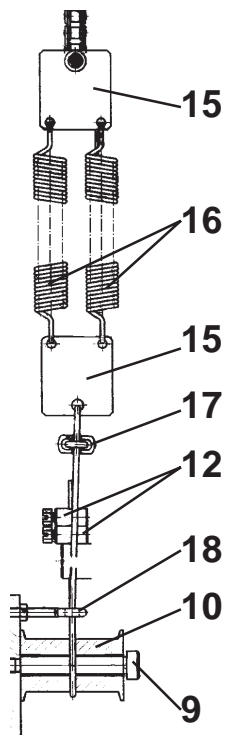
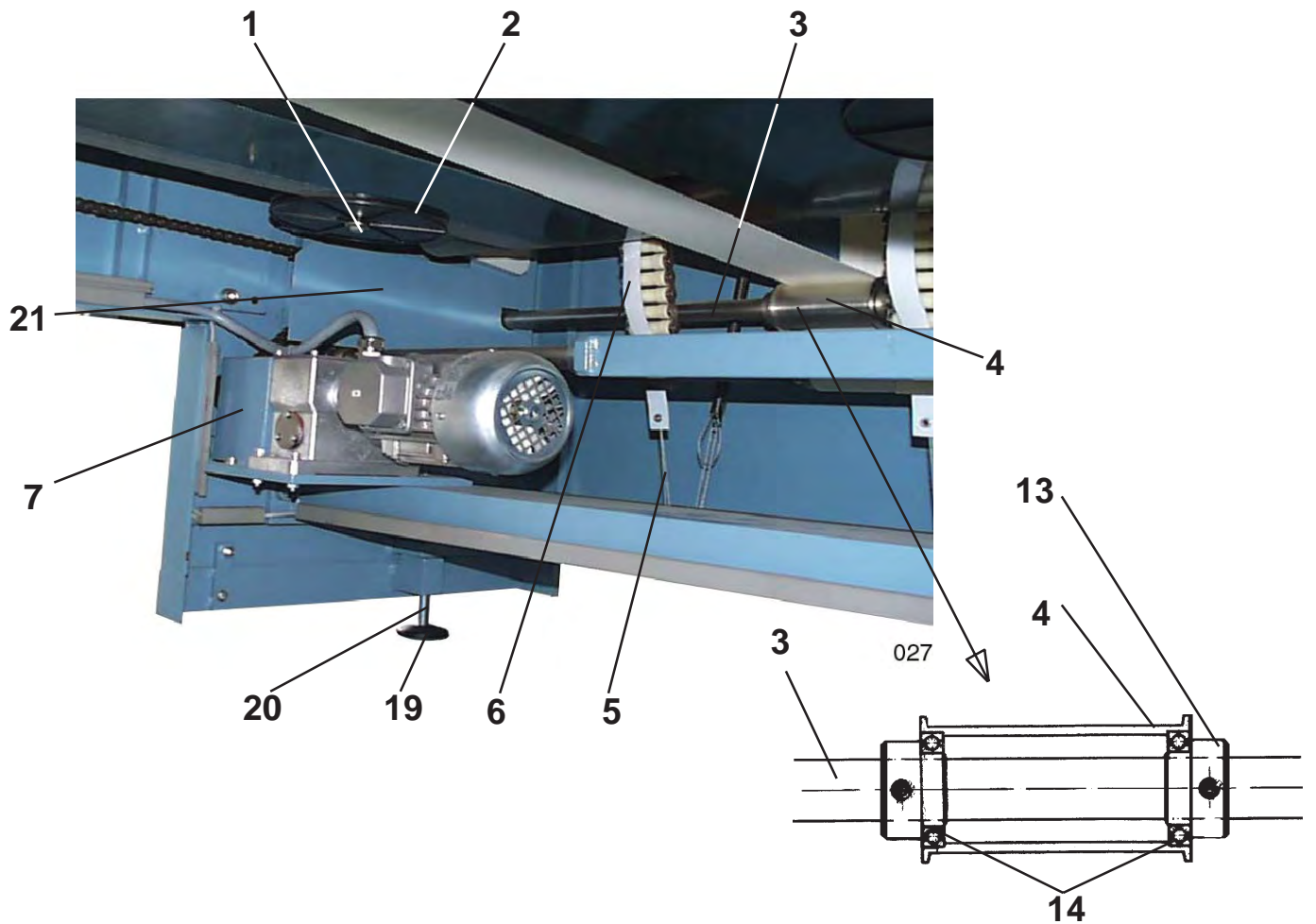
1	lever	10.3444.01	
2	cylinder screw	0094847.5	(M10x55 DIN6912)
3	roller	01.3200.60	
4	brush	17.3244.02	
5	nut	0090845.5	(M5 DIN934)
6	cylinder screw	0088641.5	(M5x10 DIN912)
7	holder	10.3644.01	
8	knurled screw	0087890.5	(M6x16 DIN653)
9	side guide	08.3653.00	
10	knurled screw	0087858.5	(M5x16 DIN653)
11	cylinder screw	0088658.5	(M5x12 DIN912)
12	holder	2.0.2414.010	
13	smoother	15.3485.55	
14	nut	0090845.5	(M5 DIN934)
15	holder	15.3444.51	
16	knurled screw	0087858.5	(M5x16 DIN653)
17	cylinder screw	0088658.5	(M5x12 DIN912)
18	holder	17.3485.00	
19	smoother	17.3485.01	

pos. 6-9
side guide cpl.

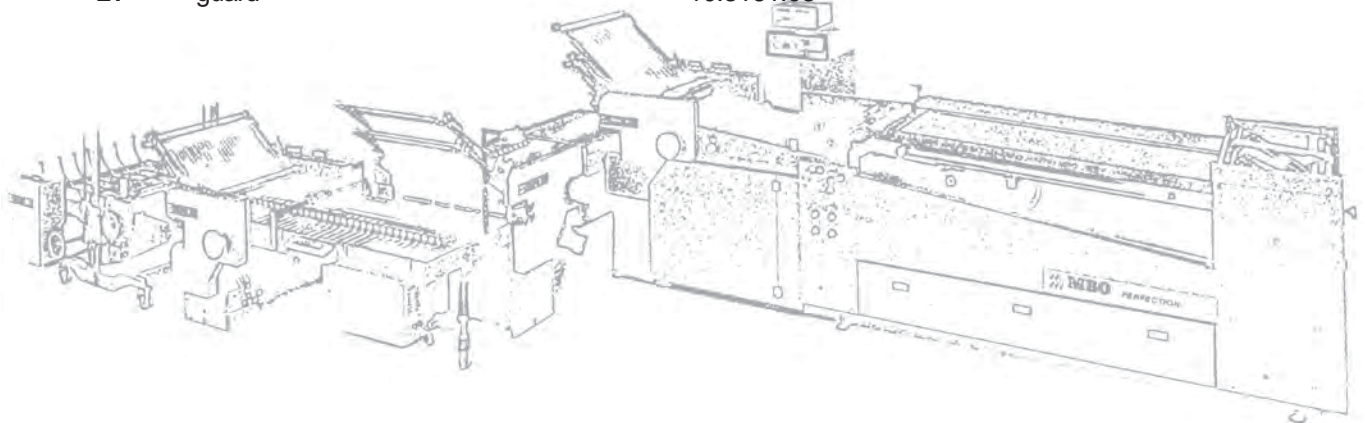
pos. 10-13
smoother cpl.

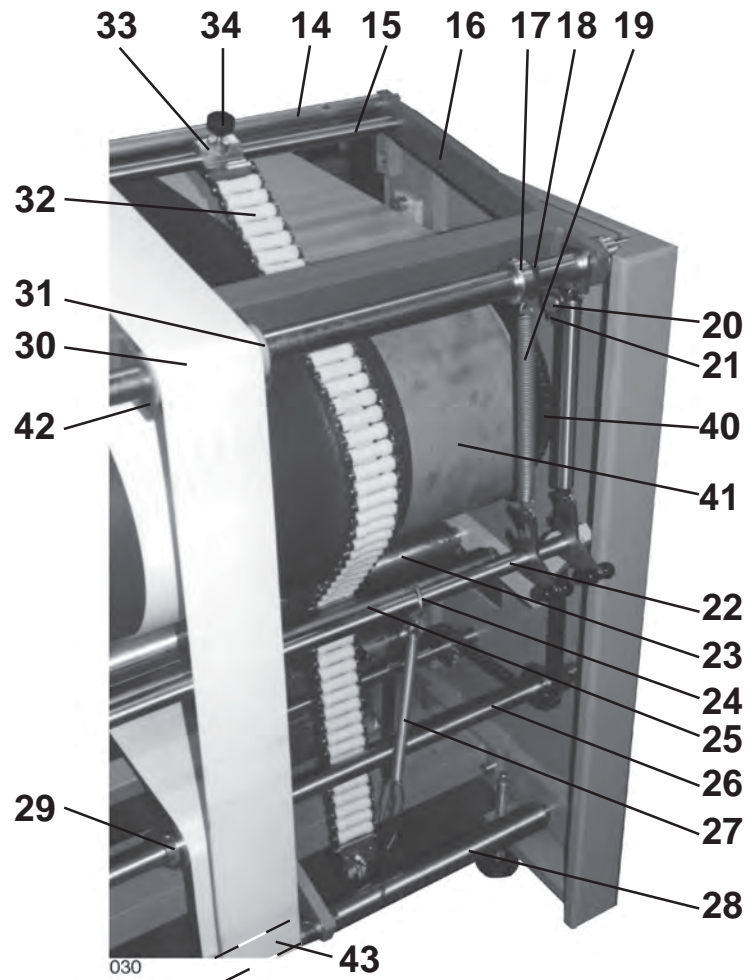
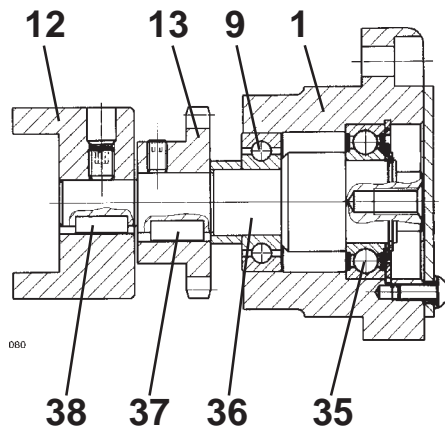
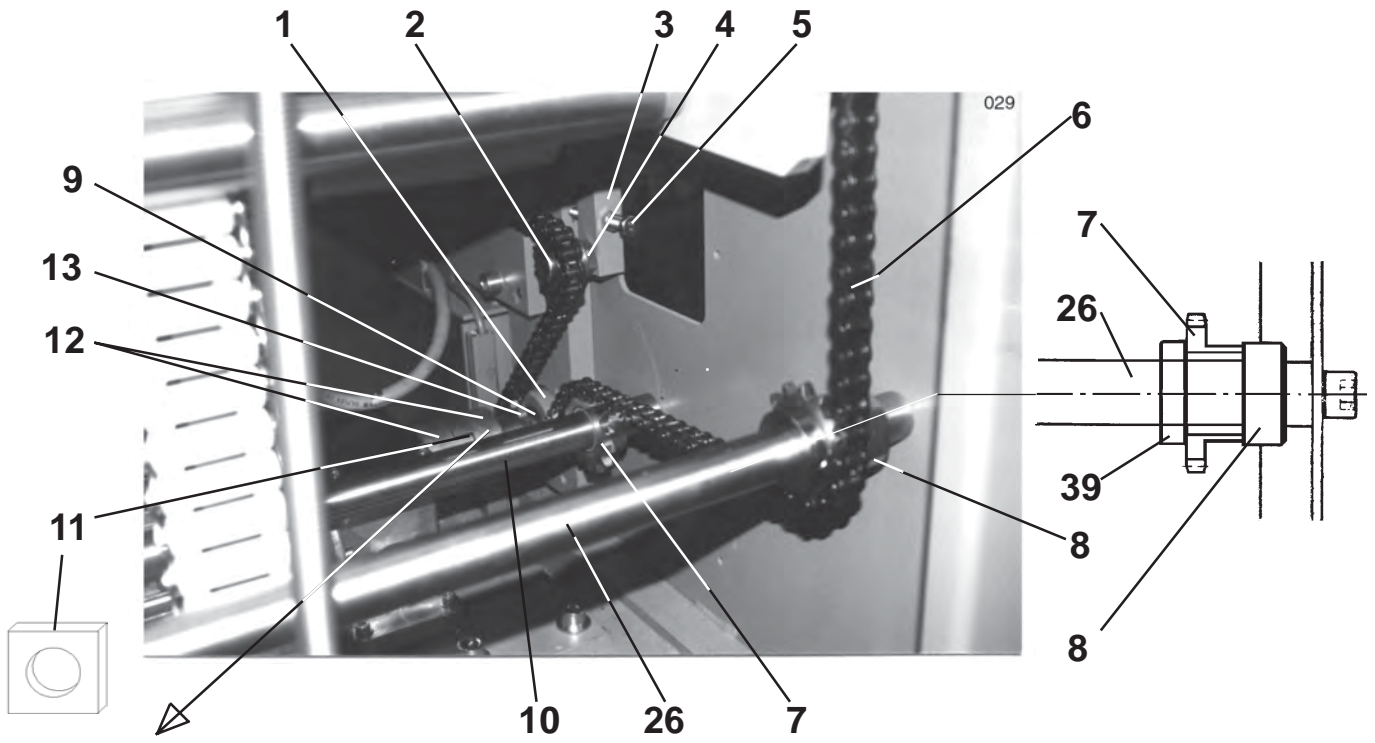
pos. 14-19
smoother cpl.



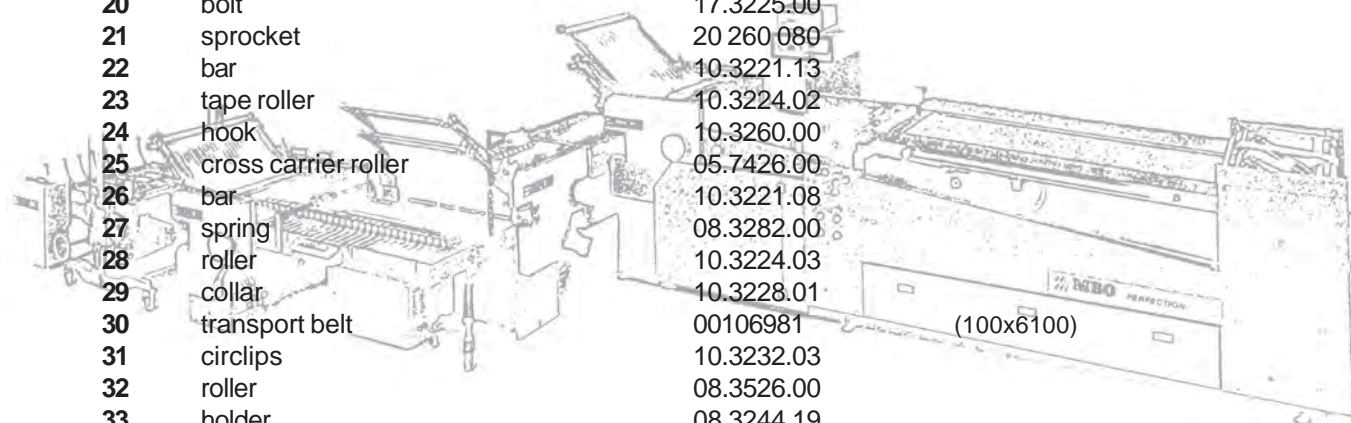


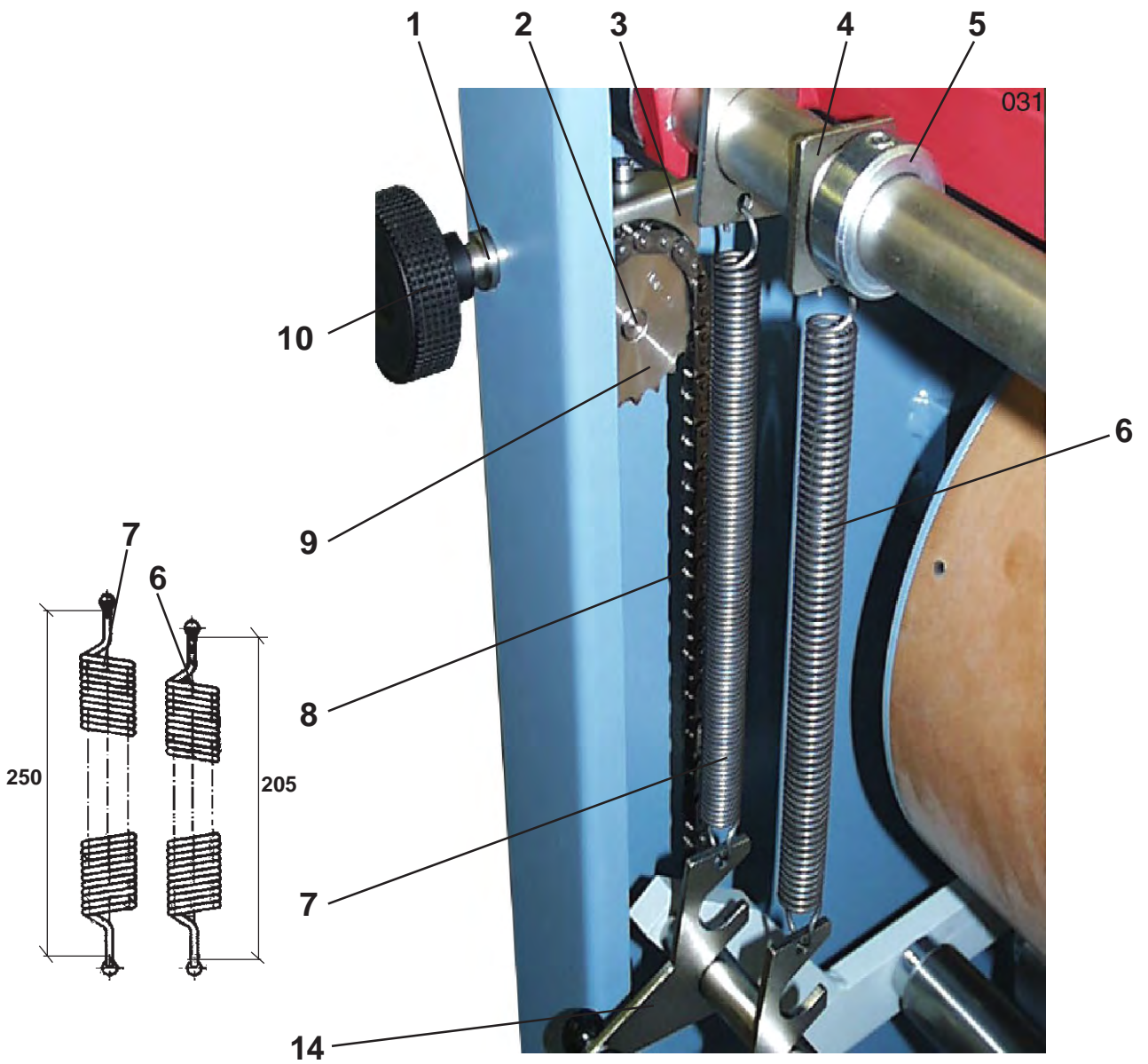
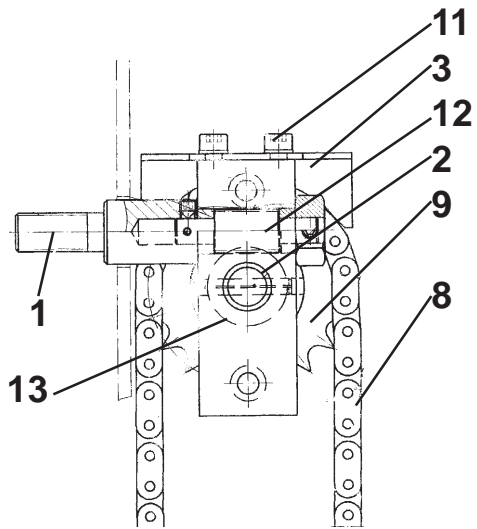
1	hexagon screw	0090568.5	(M8x80 DIN933)
2	washer	08.3214.00	
3	bar	10.3221.08	
4	tape roller	17.3232.01	
5	wire	08.3200.16	
6	tape	08.3202.03	
7	guard	10.3161.04	
8	bar	10.3221.11	
9	screw	0096285	(M8x10H8x60 UPS)
10	roller	17.3232.00	
11	wire	00099846	(Ø 3 mm)
12	clamp	0124888	(D2 5C E60)
13	collar	10.3228.01	
14	ball bearing	00109966	(61 906-2RZ)
15	holder	10.3244.25	
16	spring	30 480 012	
17	wire clamp	0099879	(3 DIN741)
18	ring screw	0101428.5	(M5x30)
19	pad	00100057	(D63-K126)
20	screw	00101779	(M16x165)
21	guard	10.3161.03	



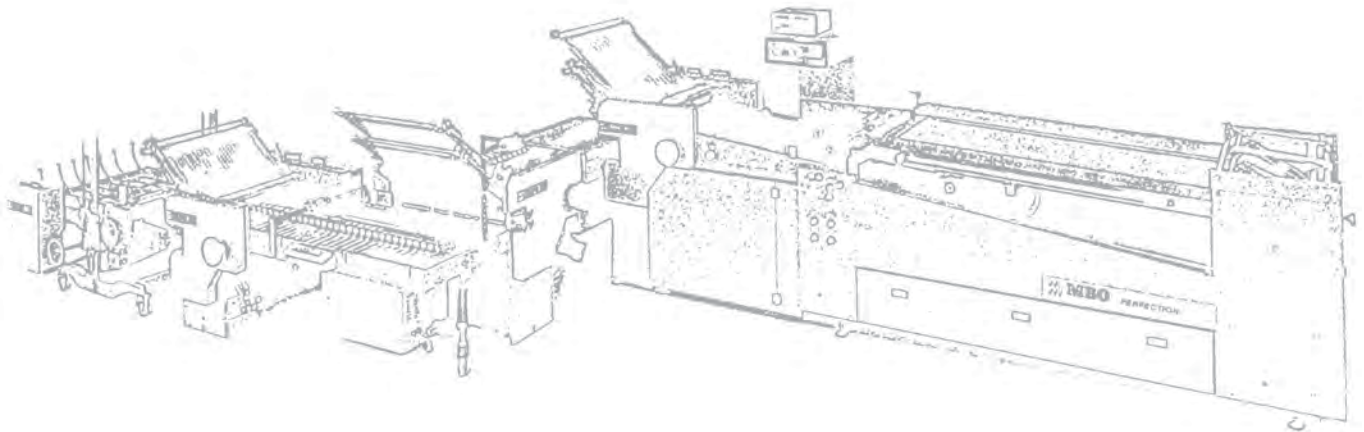


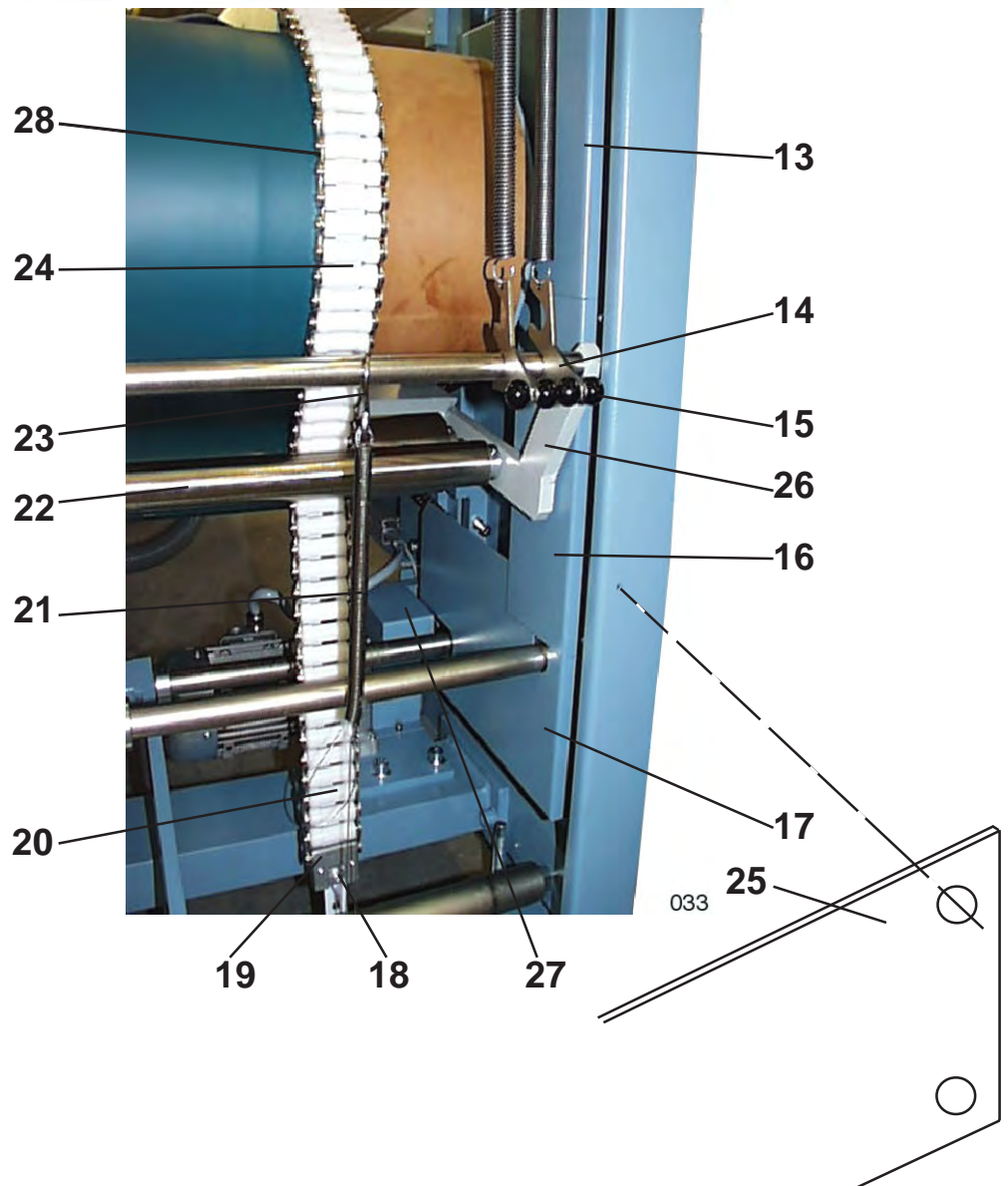
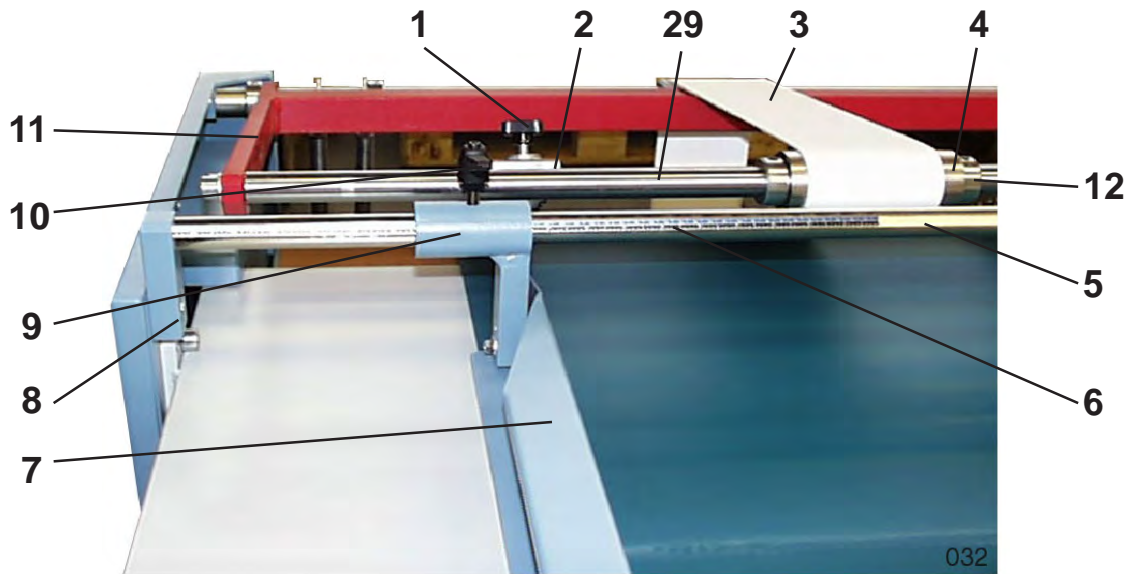
1	flange	10.3227.02	
2	bolt	17.3225.00	
3	holder	10.3264.08	
4	sprocket with bush	20 260 080 00111351	(20x26x20 DIN1850)
5	hexagon screw	0090563.5	(M8x70 DIN933)
6	chain	00109010	(1/2"x5/16" 467 Link's)
7	sprocket with bush	06.3235.01 00111351	(20x26x20 DIN1850)
8	collar	0088393.5	(A25 DIN705)
9	ball bearing	00109728	(6004-2Z DIN625)
10	bar	10.3221.08	
11	coupling piece	5.0.4244.011	
12	coupling piece	1.0.2127.330	
13	sprocket	08.3235.01	
14	bar	10.3221.09	
15	bar	10.3221.13	
16	lever	10.3264.10	
17	collar	0088427.5	(A30 DIN705)
18	holder	10.3244.15	
19	spring	30 480 012	
20	bolt	17.3225.00	
21	sprocket	20 260 080	
22	bar	10.3221.13	
23	tape roller	10.3224.02	
24	hook	10.3260.00	
25	cross carrier roller	05.7426.00	
26	bar	10.3221.08	
27	spring	08.3282.00	
28	roller	10.3224.03	
29	collar	10.3228.01	
30	transport belt	00106981	(100x6100)
31	circlips	10.3232.03	
32	roller	08.3526.00	
33	holder	08.3244.19	
34	knurled screw	00095851	(M8x20 GN421)
35	ball bearing	00109736	(6005-27 DIN625)
36	shaft	10.3221.04	
37	spring	00094458	(A6x6x16 DIN6885)
38	spring	00094334	(A5x5x16 DIN6885)
39	collar	17.3228.00	
40	chain wheel	5.0.3235.050	
41	tape roller cpl.	10.3200.11	
42	guard	17.3261.07	
43	tape roller	10.3232.05	
	pos. 1+9+12-13+35-38 drive flange	17.3200.12	
	pos. 2-5 sprocket cpl.	17.3200.18	



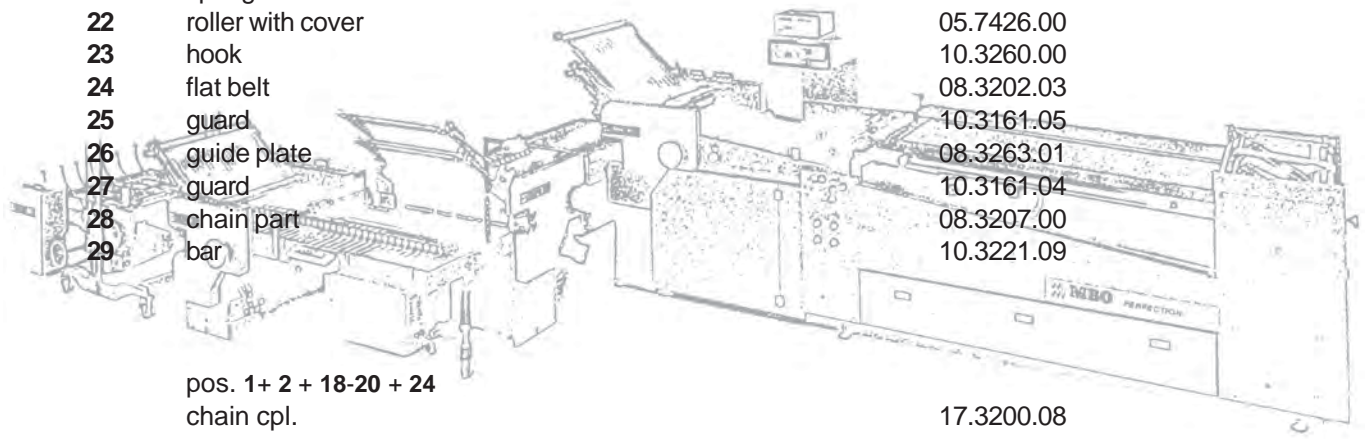


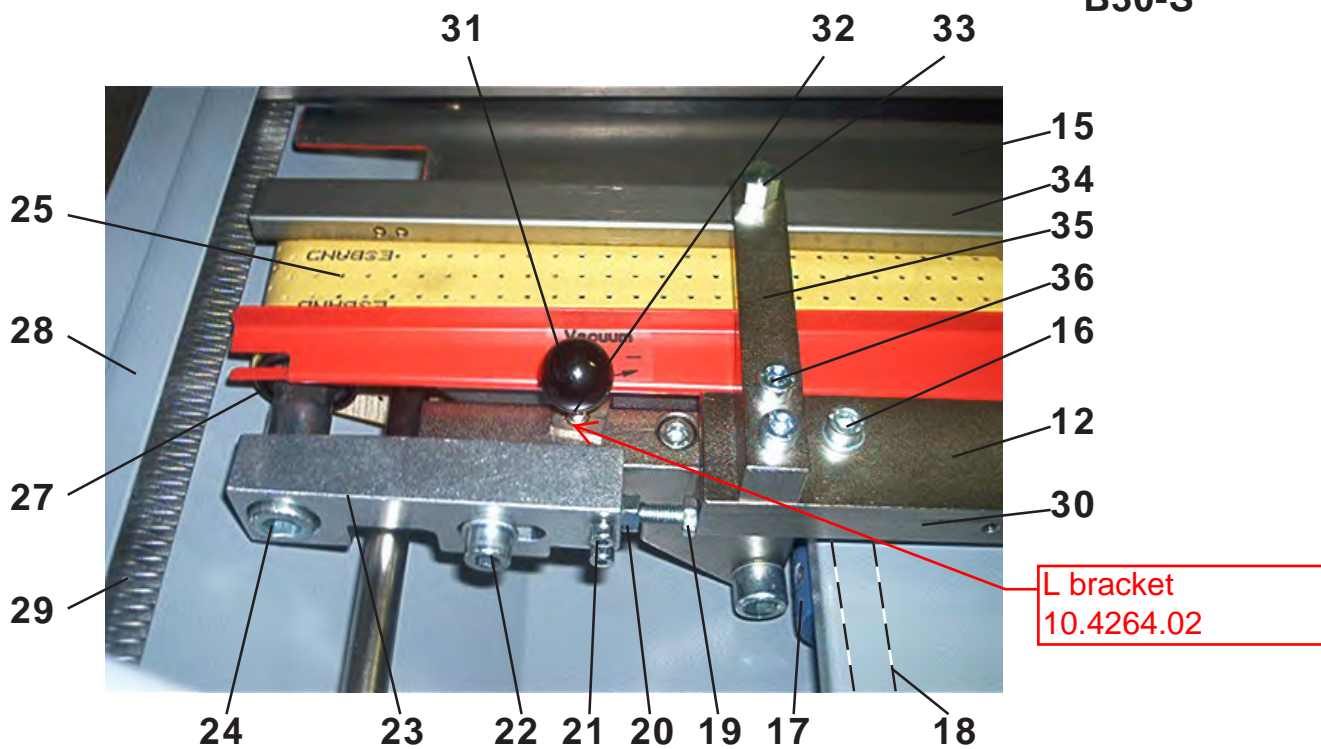
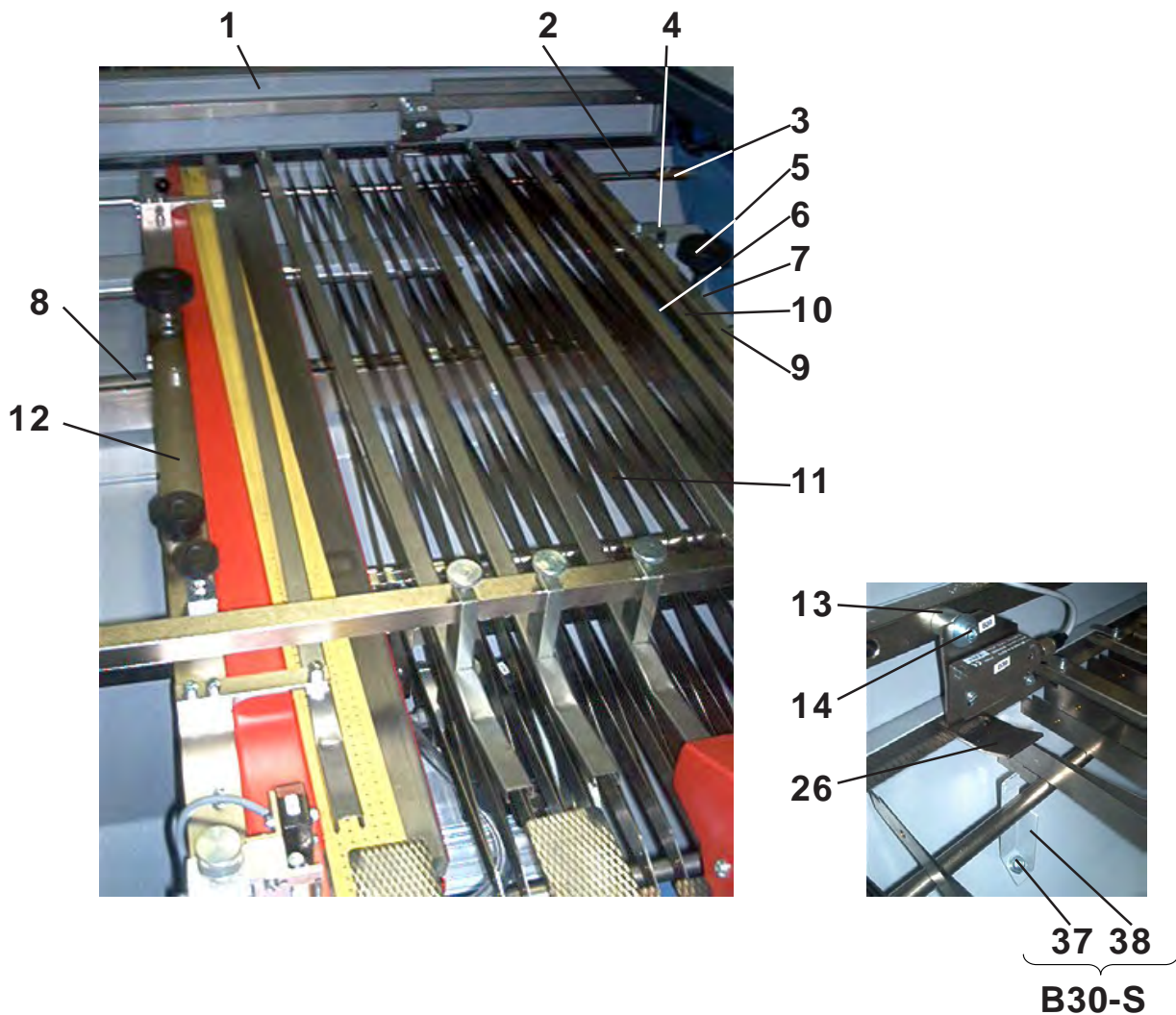
1	bolt	10.3226.01	
2	bolt	10.3226.02	
3	holder	17.3262.00	
4	holder	10.3244.15	
5	collar	00884275	(A30 DIN705)
6	spring	30 480 012	
7	spring	01.3282.01	
8	chain	00108699	(3/8"x7/32" 62 Link's)
9	sprocket	10.3234.00	
10	knurled grip	00100265	(M12x60 SW GN534)
11	cylinder screw	0088658.5	(5x12 DIN912)
12	worm	3.0.5637.020	
13	worm gear	3.0.5637.010	
14	holder	16.3244.00	
pos. 1-3 + 9-13			
	tightener cpl.	17.3200.17	





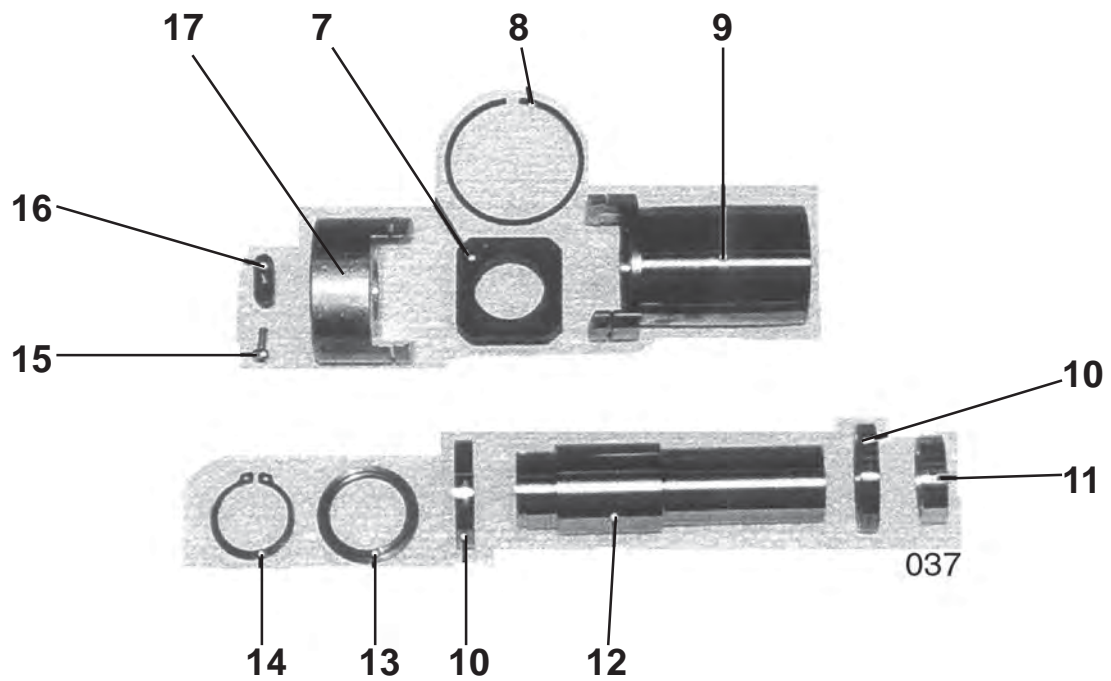
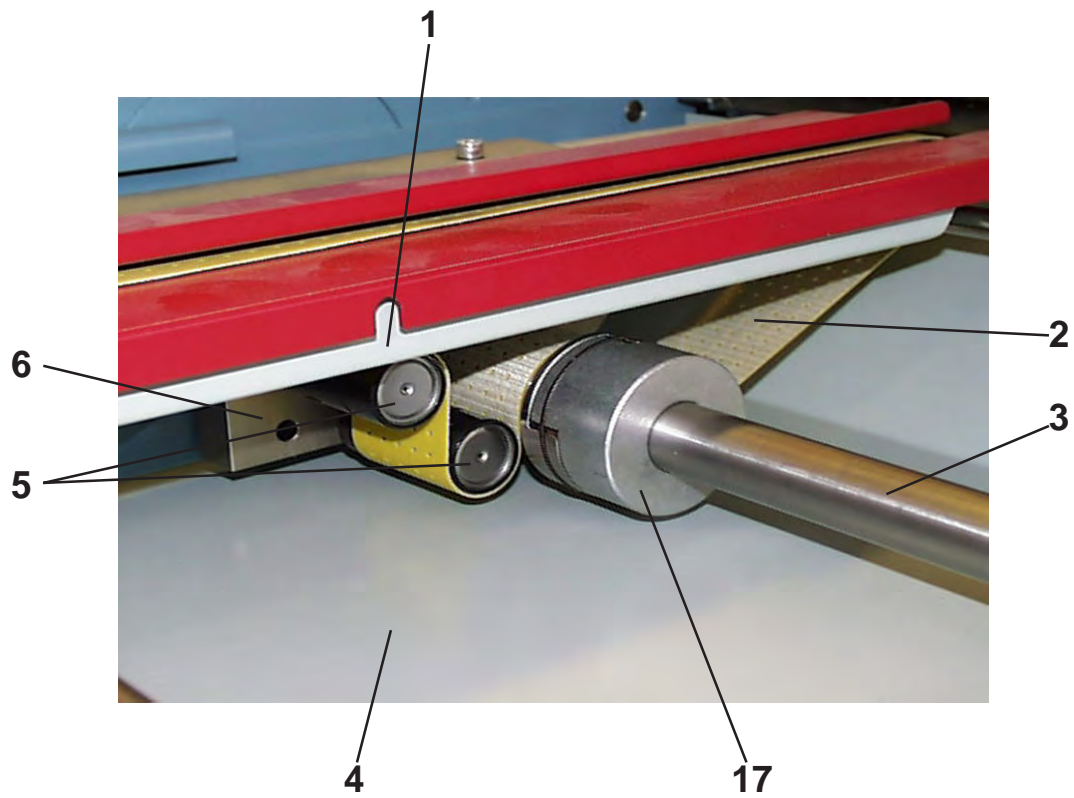
1	knurled screw	00095851	(M8x20 GN421)
2	holder	08.3244.19	
3	transport belt	00106981	(100x6100)
4	circlips	10.3232.05	
5	bar	17.3421.03	
6	scale	5.0.5673.010	
7	sheet stop	17.3461.00	
8	holder	17.3444.00	
9	guide	5.0.3364.012	
10	handle	00100586	(M8x20 GN500)
11	lever	10.3264.10	
12	collar	10.3228.01	
13	guard	10.3161.01	
14	holder	16.3244.00	
15	ballknop	00086515	(Ku 20-M6 DIN319)
16	guard	10.3161.02	
17	guard	10.3161.03	
18	screw	0095372.5	(M6x12 DIN7991)
19	plate	10.3244.03	
20	roller	08.3526.00	
21	spring	08.3282.00	
22	roller with cover	05.7426.00	
23	hook	10.3260.00	
24	flat belt	08.3202.03	
25	guard	10.3161.05	
26	guide plate	08.3263.01	
27	guard	10.3161.04	
28	chain part	08.3207.00	
29	bar	10.3221.09	
pos. 1+ 2 + 18-20 + 24 chain cpl.		17.3200.08	





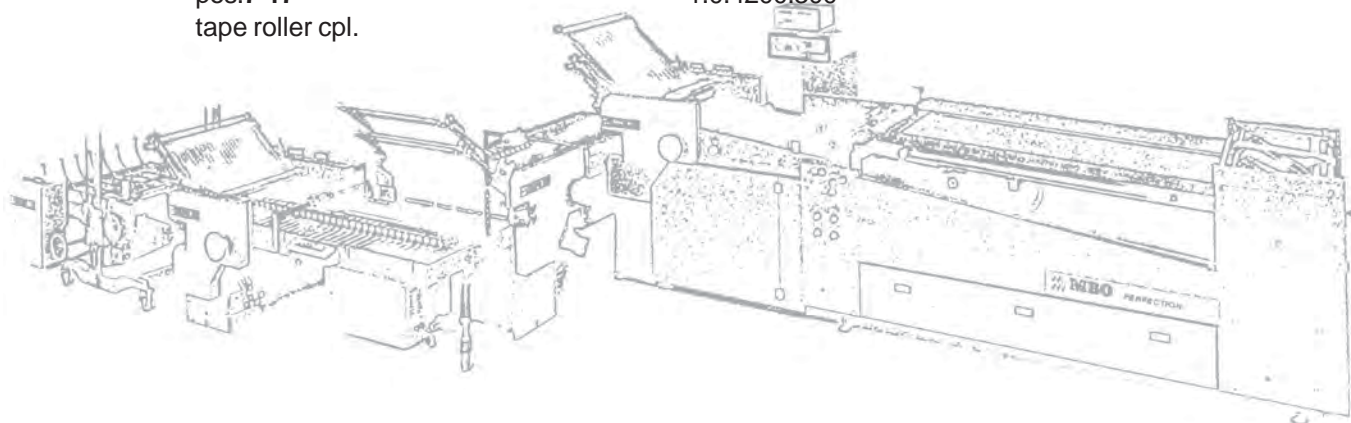
1 (*)	guard	B26-S	17.5164.03	
		B30-S	17.5164.09	
2 (*)	bar	B26-S	17.4121.02	
		B30-S	17.4121.21	
3	bushing		1.0.4126.010	
4	holder		17.4264.00	
5	screw		10.4200.02	
6	adjustment piece		5.0.4211.011	
7	cylinder screw		0088997.5	(M8x20 DIN912)
8	bar	B26-S	17.4121.00	
		B30-S	17.4121.20	
9	smoother		17.4253.00	
10	side guide		17.4263.03	
11	lamella cpl.	B26-S	17.4400.00	
		B30-S	17.4400.01	
12	bar		17.4241.06	
13	distance		10.5128.01	
14	cylinder screw		0088856.5	(M6x30 DIN912)
15	guide plate		17.4263.06	
16	cylinder screw		0088799.5	(M6x12 DIN912)
17	adjustment piece		1.0.4211.330	
18 (*)	shaft	B26-S	17.5221.00	
		B30-S	17.5221.16	
19	hexagon screw		0090399.5	(M6x35 DIN933)
20	hexagon nut		0090852.5	(M6 DIN934)
21	cylinder screw		0088617.5	(M4x20 DIN912)
22	cylinder screw		0089003.5	(M8x25 DIN912)
23	holder		1.0.4244.320	
24	cylinder screw		0089300.5	(M12x40 DIN912)
25	tape roller with bearing part		1.0.4232.031	(F31.643)
26	holder		10.1264.03	
27	distance		60 290 041	
28 (*)	infeed plate	B26-S	17.5163.06	
		B30-S	17.5163.49	
29 (*)	infeed plate	B26-S	17.5163.00	
		B30-S	17.5163.48	
30	bar		17.4241.05	
31	ball knob		00086504	(KU-20-M5-C DIN 319)
32	hexagon nut		0090878.8	(M8 DIN 934)
33	cap nut		0090076.5	(M6 DIN 917)
34	smoother		17.4253.013	
35	holder		17.4244.026	
36	cylinder screw		0088823.5	(M6x20 DIN912)
37	screw	B30-S	0095976.5	(M6x10 ULS)
38	holder	B30-S	17.4062.05	
	pos. 4-7 + 9-10			
	side guide cpl.		17.4100.03	

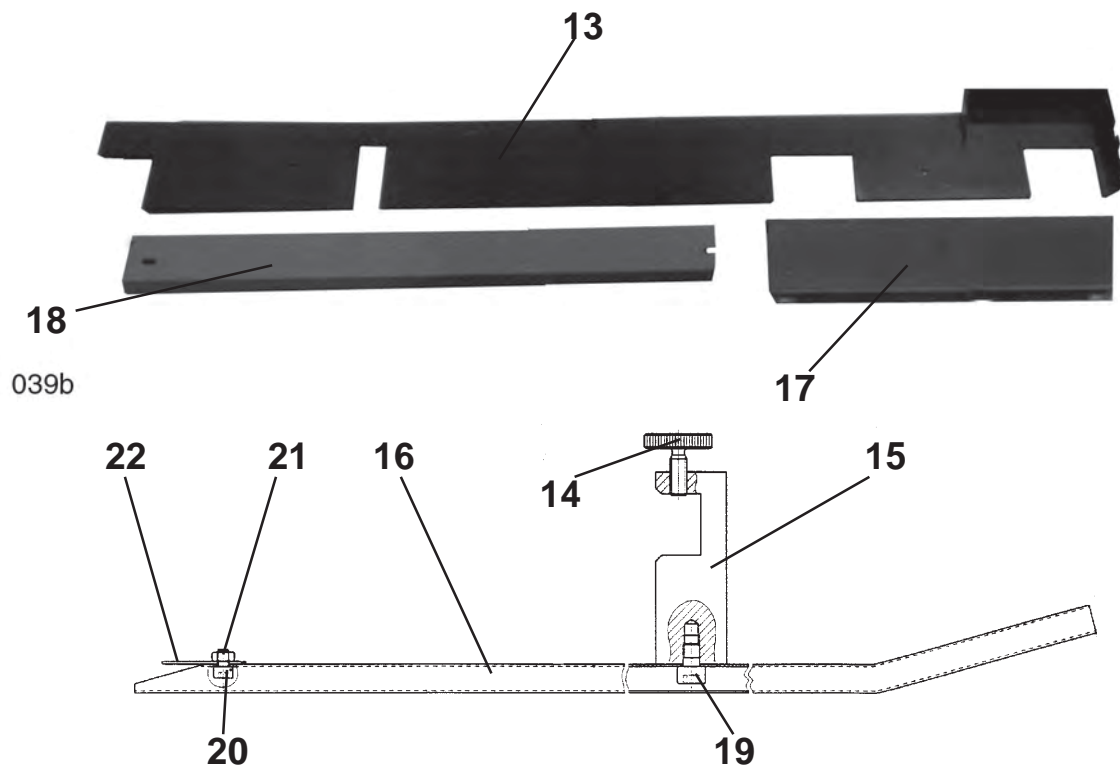
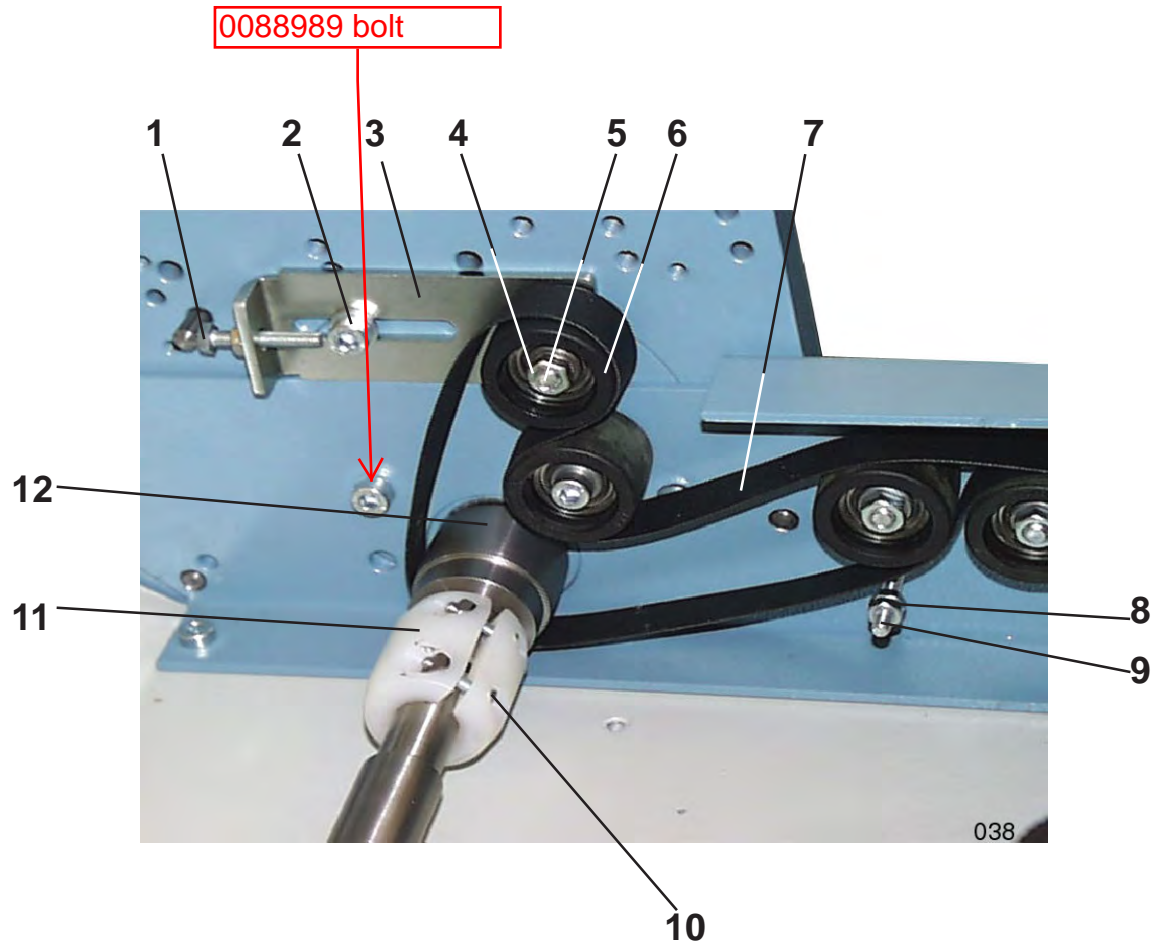
(*) only parallel unit



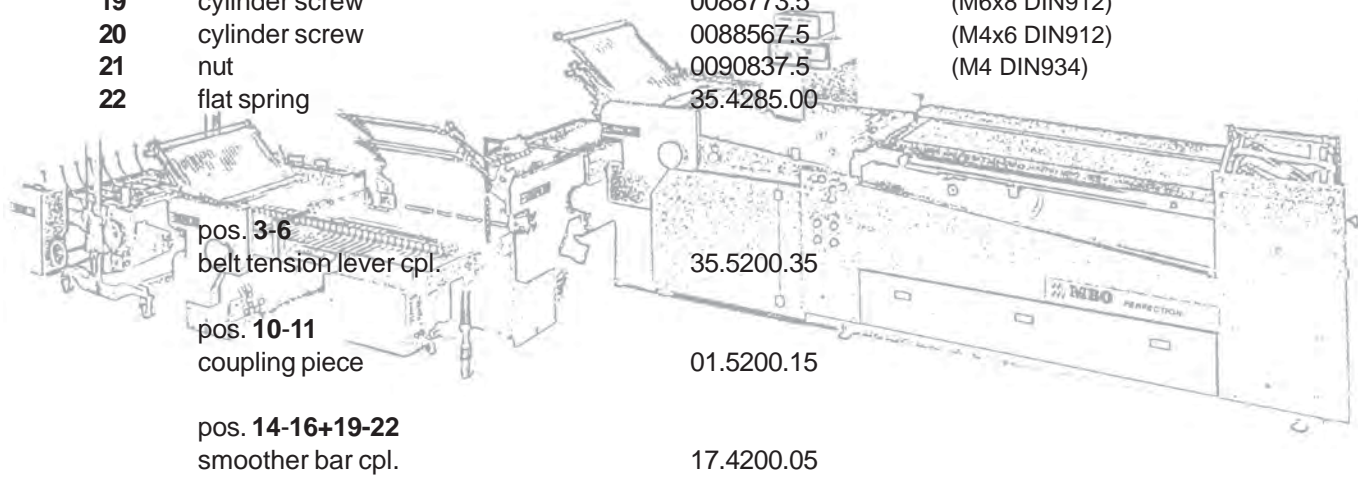
1	housing		17.4215.00	
2	tape		00106929	(PU 20-1 50x2425)
3	shaft	B26-S	17.5221.00	
		B30-S	17.5221.16	
4	guard	B26-S	17.4161.05	
		B30-S	17.4161.34	
5	bearing part		0011773	(F 31.643)
6	holder		17.4244.02	
7	coupling part		5.0.4244.011	
8	circlips		00101402	(SW 55 Seeger)
9	tape roller		1.0.4232.340	
10	ball bearing		00109918	(61806-2RZ DIN625)
11	distance ring		1.0.4228.020	
12	shaft		1.0.4226.320	
13	distance ring		5.0.4228.010	
14	circlips		00087312	(30x1,5 DIN471)
15	cylinder screw		0088583.5	(M4x10 DIN912)
16	spring key		5.0.4243.010	
17	coupling part		5.0.4227.011	

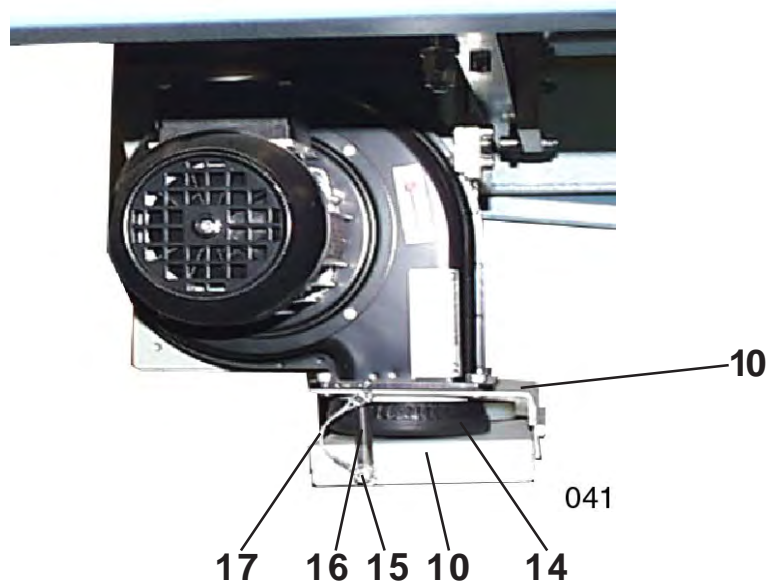
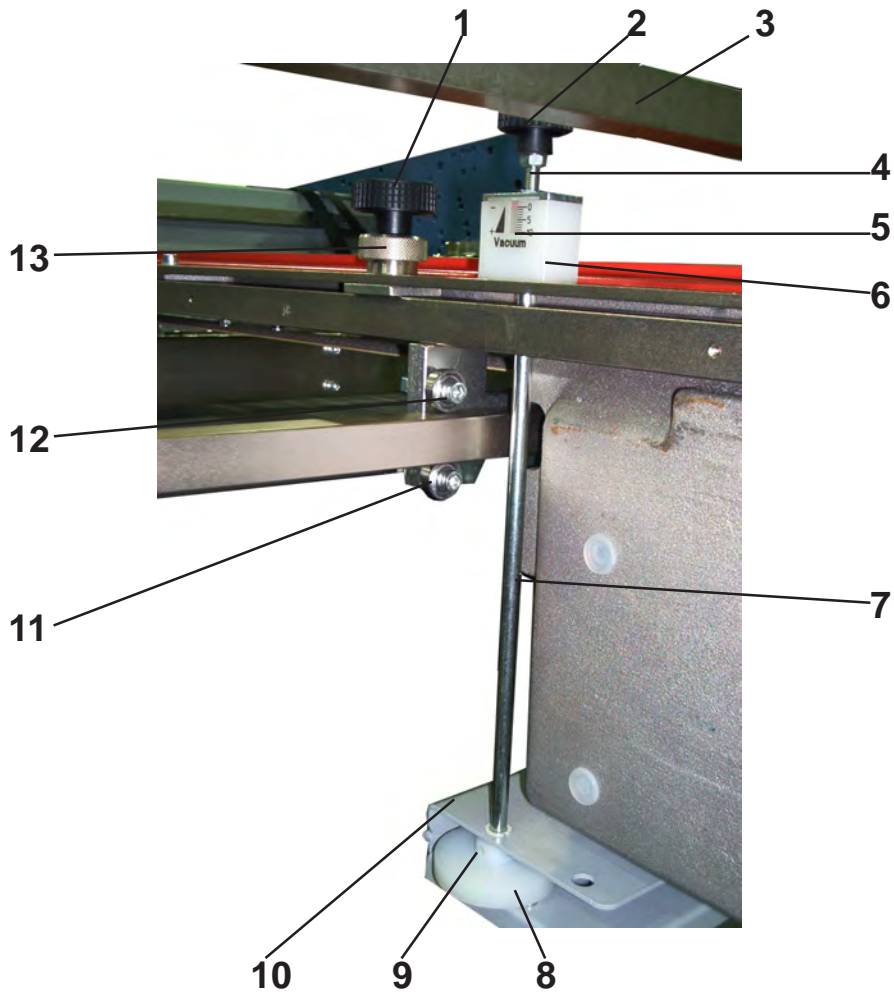
pos.7-17
tape roller cpl. 1.0.4200.300



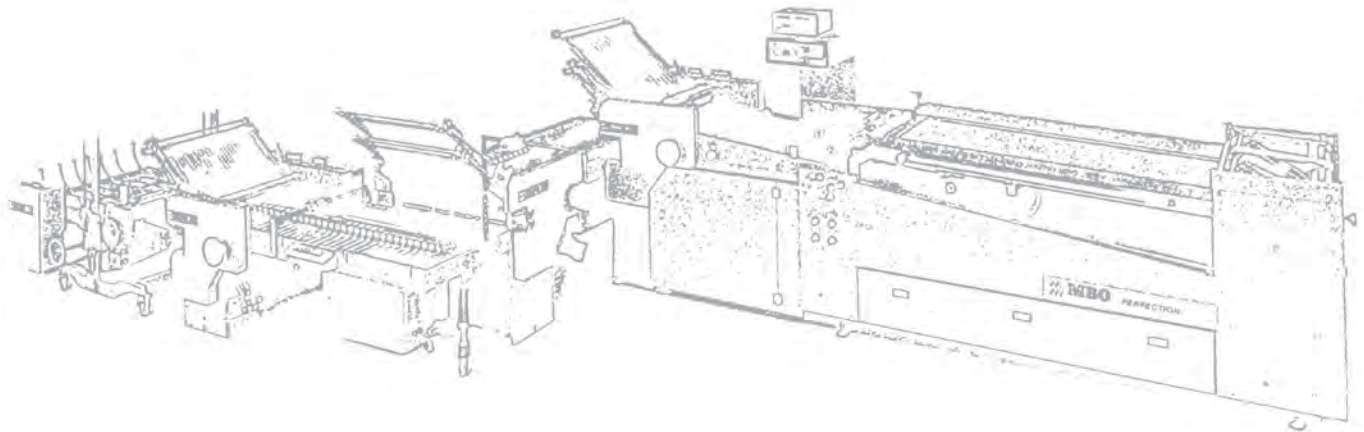


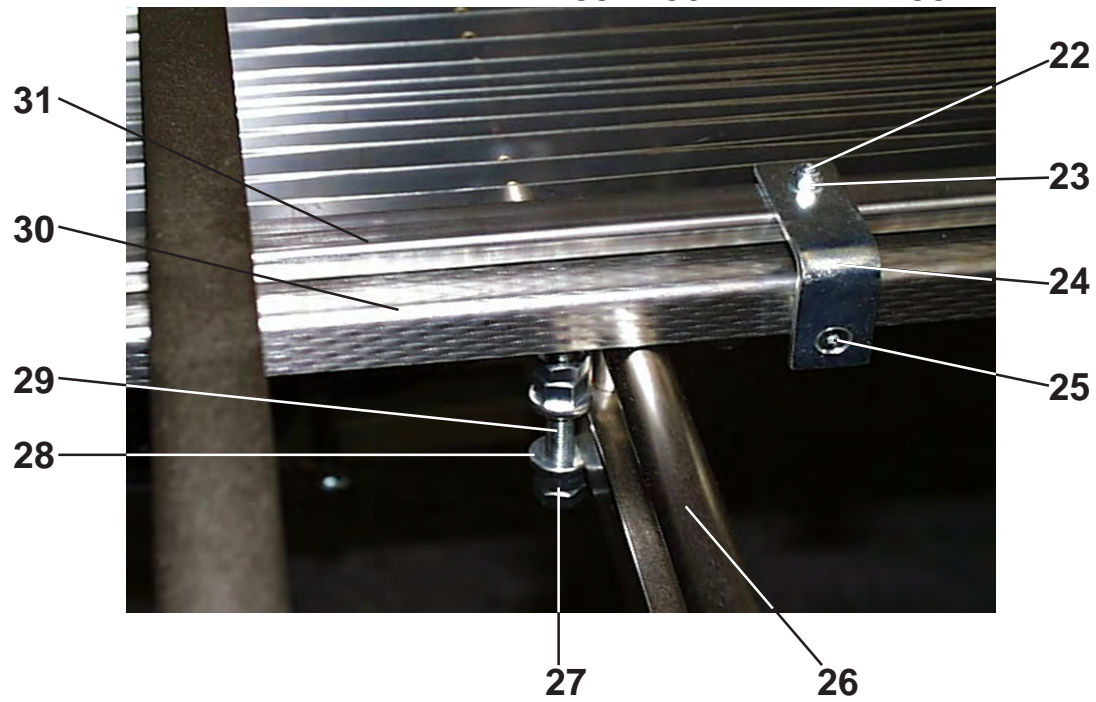
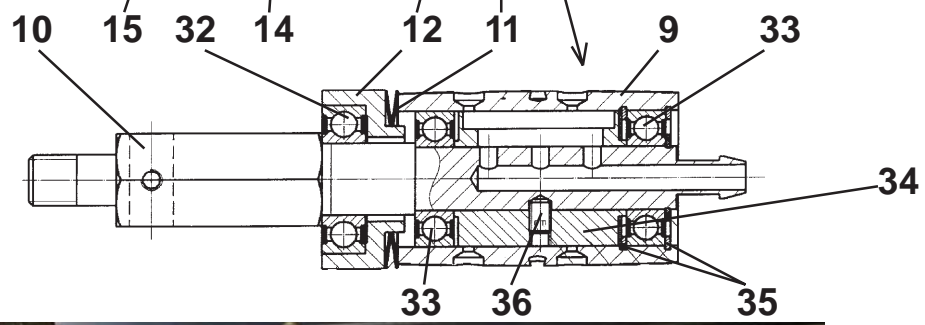
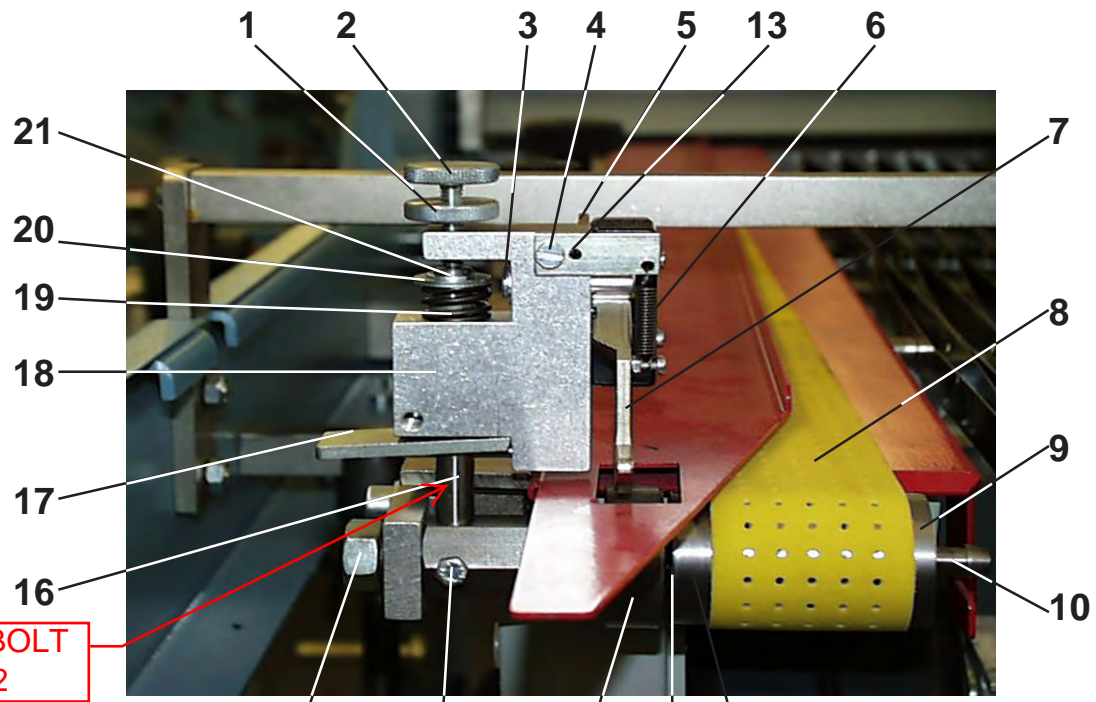
1	hexagon screw		0090407.5	(M6x45 DIN933)
2	cylinder screw		0089003.5	(M8x25 DIN912)
3	holder		35.5244.05	
4	nut		0090878.5	(M8 DIN934)
5	screw		0092061.5	(M8x35 DIN963)
6	tape roller		00111781	(F56.202 JNA)
7	tape		00106055	(20x2600 Ne21)
8	nut		0090852.5	(M6 DIN934)
9	hexagon screw		0090415.5	(M6x50 DIN933)
10	cylinder screw		0088682.5	(M5x20 DIN912)
11	coupling piece		3.0.5326.024	
12	pulley		15.5232.03	
13	guard		17.4161.04	
14	knurled screw		0087890.5	(M6x16 DIN653)
15	holder		1.0.4244.300	
16	smoother bar		17.4253.05	
17	guard	B26-S	17.4161.02	
		B30-S	17.4161.33	
18	guard	B26-S	17.4161.00	
		B30-S	17.4161.32	
19	cylinder screw		0088773.5	(M6x8 DIN912)
20	cylinder screw		0088567.5	(M4x6 DIN912)
21	nut		0090837.5	(M4 DIN934)
22	flat spring		35.4285.00	



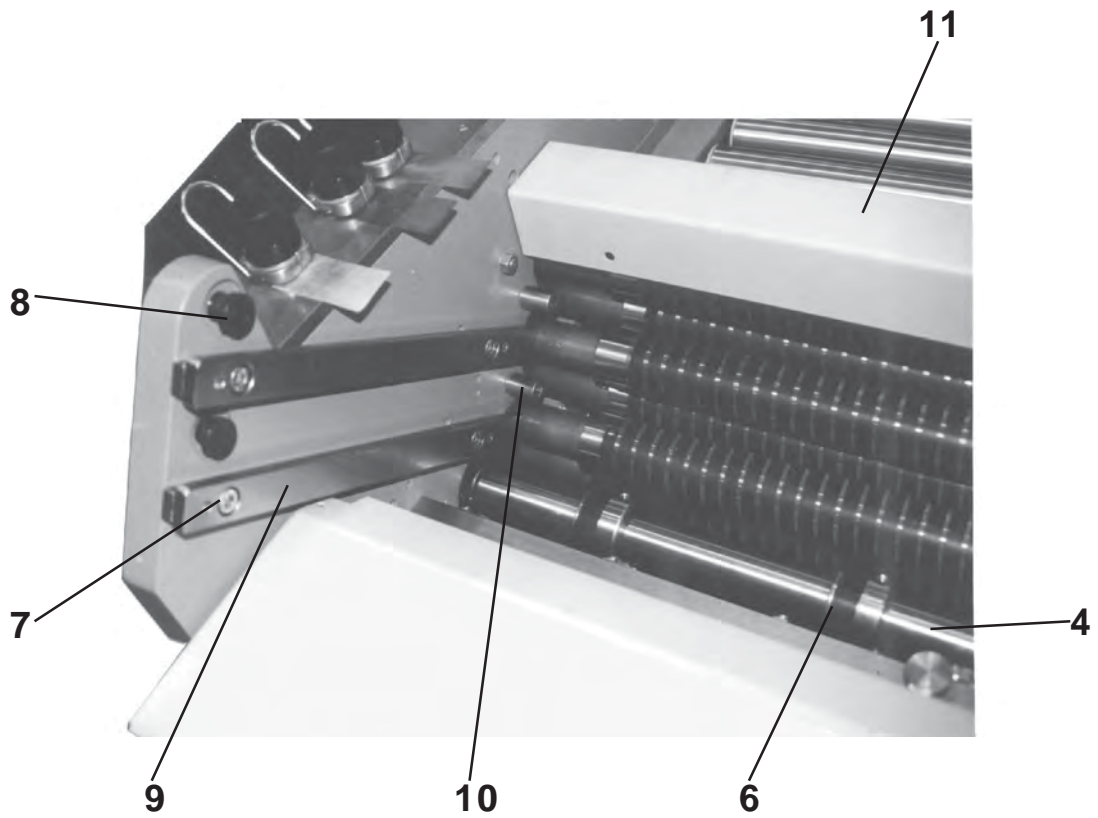
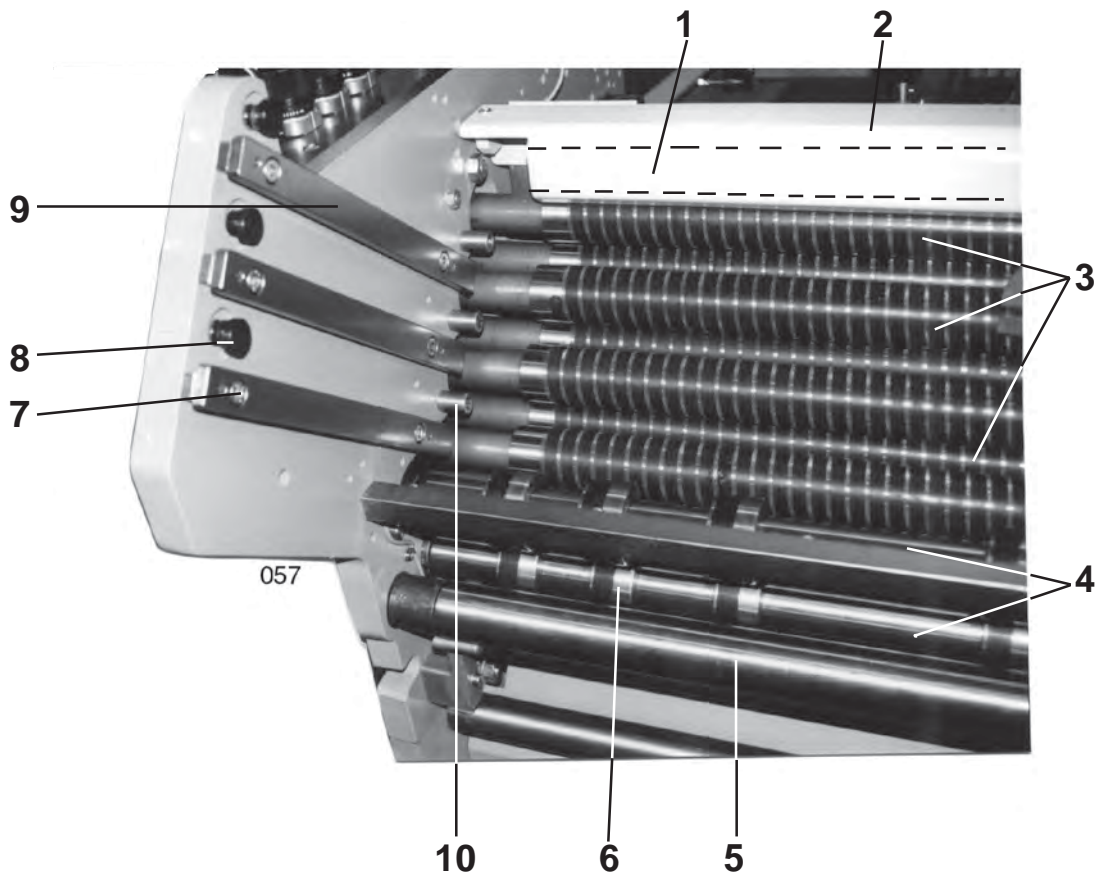


1	knurled grip	00100269	(M6-40 SW GN534)
2	knurled grip	00100268	(M8-32 SW GN534)
3	traverse	B26-S 17.4141.04 B30-S 17.4141.16	
4	nut	0090852.5	(M6 DIN934)
5	shield	10.4271.01	
6	block	17.4244.00	
7	bar	17.4229.01	
8	bolt	17.4225.01	
9	pin	00093187	(3x20 DIN1481)
10	flap	17.4262.00	
11	ball bearing	0019561	(626-2Z DIN625)
12	cylinder screw	0088856.5	(M6x30 DIN912)
13	écenter grip	1.0.4229.300	
14	seal	00099812	(461 E130)
15	cylinder screw	0088708.5	(M5x25 DIN912)
16	spring	00102562	(10/3/1)
17	wire	10.4200.17	





1	knurled nut	0087148.5	(M6 DIN 467)
2	knurled screw	0087916.5	(M6x25 DIN653)
3	bolt	10 340 040	
4	cylinder screw	0085795.5	(M4x10 DIN84)
5	bar	1.0.4541.300	
6	spring	20 480 181	
7	adjustment screw	10 300 042	
8	flat belt	00106929	(50x2425 PU 20-1)
9	tape roller	17.4231.01	
10	bolt	17.4225.04	
11	disc spring	5.0.4283.010	
12	roller	5.0.4231.010	
13	pin	00093138	(3x8 DIN1481)
14	hexagon screw	0090233.5	(M5x10 DIN933)
15	nut	0090910.5	(M12 DIN934)
16	bolt	2.0.4525.010	
17	hoop	2.0.4543.011	
18	bearing block	1.0.4544.300	
19	spring	20 480 150	
20	disc	0086132.5	(10,5 DIN125)
21	circlips	0094193.5	(GR.7 DIN6799)
22	cylinder screw	0088583.5	(M4x10 DIN912)
23	nut	0092121.5	(M4 DIN985)
24	holder	17.4264.00	
25	screw	0095268.5	(M4x20 DIN7991)
26	bar	B26-S 17.4121.06 B30-S 17.4121.22	
27	nut	0086876.5	(M8 DIN439)
28	nut	0094094.5	(M8 DIN6331)
29	threaded bar	15.4129.00	
30	side guide	17.4263.03	
31	smoother	17.4253.00	
32	ball bearing	00109686	(6003-2Z DIN625)
33	ball bearing	00109652	(6002-2Z DIN625)
34	tube	17.4226.01	
35	circlips	00087452	(32x1,2 DIN472)
36	screw	0089540.5	(M5x8 DIN913)
pos. 1-7 + 16-21			
double sheet control cpl.		1.0.4500.300	
pos. 9-12 + 33-36			
tape roller cpl.		17.4200.15	



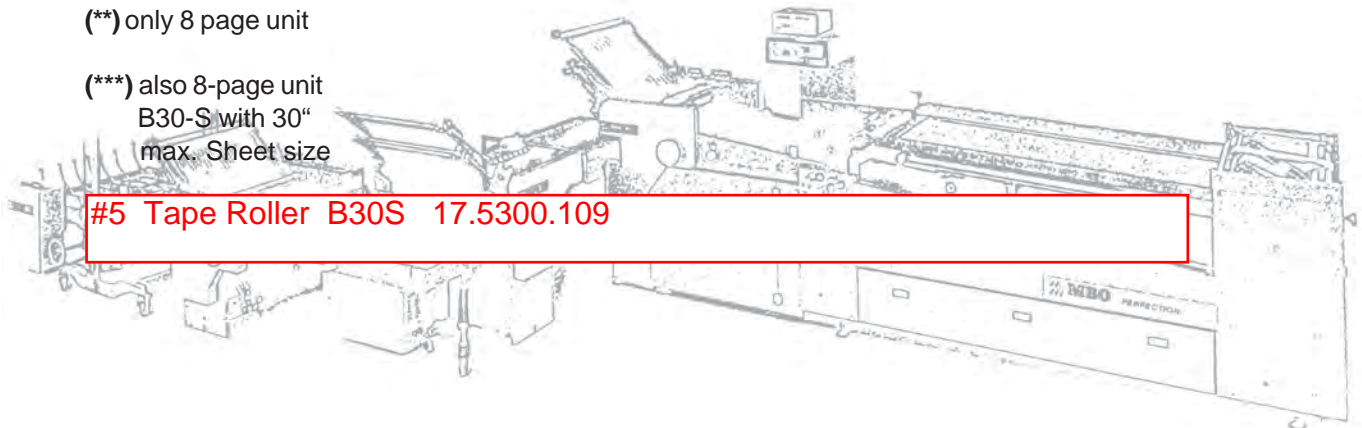
Parallelfold and 8 page unit - 4 and 6 buckle plate type

1	(*)cleaning roller	B26-S 5.6.5300.100	
		B30-S 17.5300.118	
2	(*)guard parallel unit	B26-S 17.5164.03	
		B30-S 17.5164.09	
3	(***)fold roller	B26-S 17.5300.04	
		B30-S 17.5300.28	17.5300.106
4	(***)slitter shaft	B26-S 17.5300.00	
		B30-S 17.5300.26	
5	(***)tape roller	B26-S 17.5300.02	
		B32S 17.5300.27	
6	transport roller	01.5339.00	
7	screw	0096250	(M8x10 H8x60UPS)
8	excenter lever	10.5125.02	
9	buckle bar	17.5144.018	
10	(**)guard	B26-S 17.5161.00	
		B30-S 17.5161.18	
11	(**)guard 8pg unit	B26-S 17.5161.00	
		B30-S 17.5161.48	

(*) only parallel unit

(**) only 8 page unit

(***) also 8-page unit
B30-S with 30"
max. Sheet size

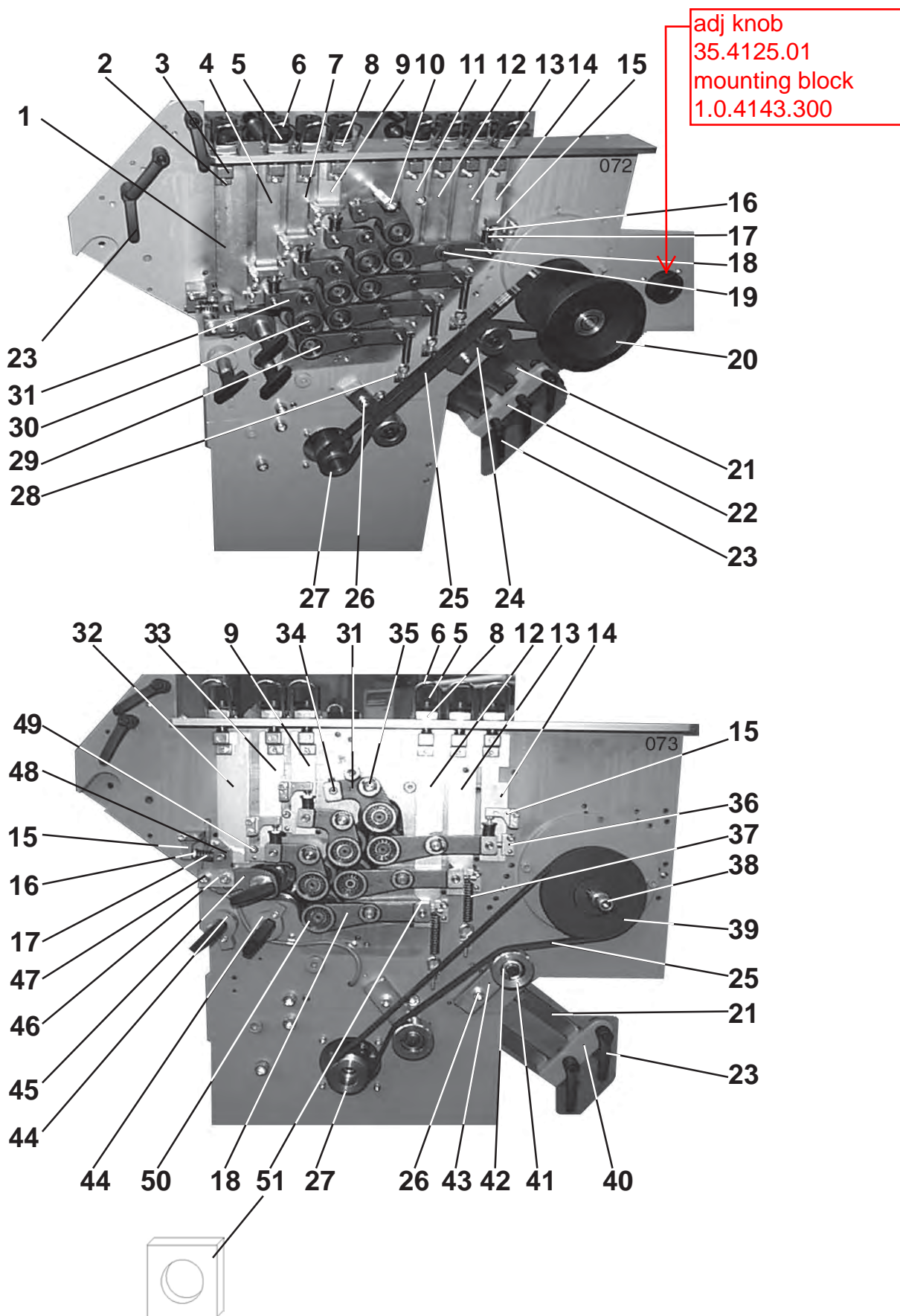


#5 Tape Roller B30S 17.5300.109

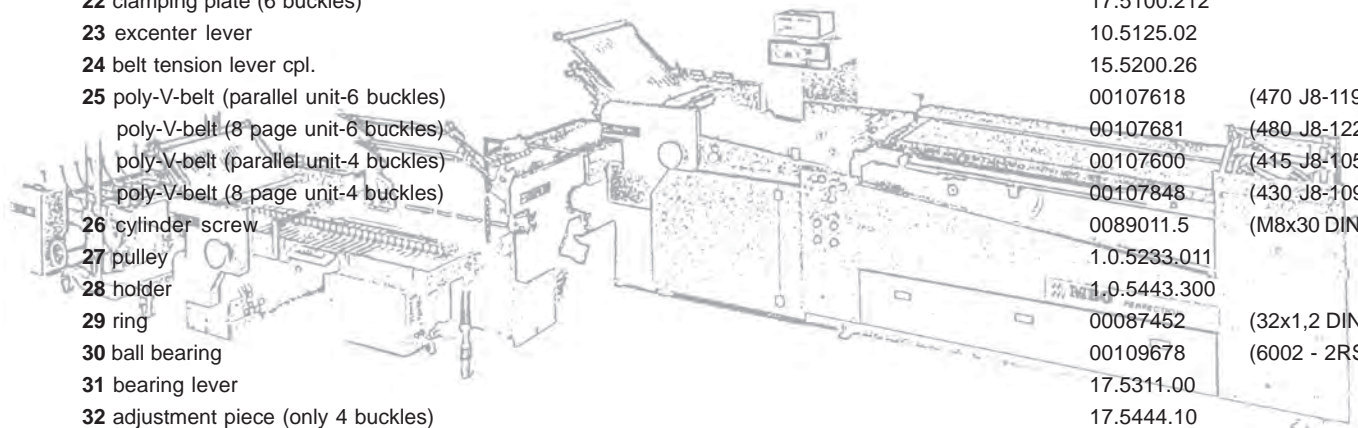
B26-S/B30-S

Parallelfold and 8 page unit - 4 and 6 buckle plate type

1750 ENG 2



1	adjustment piece (only 6 buckles)	17.5444.09	
2	cylinder screw	0088799.5	(M6x12 DIN912)
3	adjustment piece	1.0.5415.300	
4	adjustment piece (only 6 buckles)	17.5444.07	
5	grip with scaled ring	1.0.5416.320/1.0.5416.330	
6	lever	2.0.5486.010	
7	adjustment piece (only 6 buckles)	17.5444.04	
8	pressure piece	1.0.5415.320	
9	adjustment piece	17.5444.01	
10	bolt	35.5125.00	
11	adjustment piece (only 6 buckles)	17.5444.08	
12(*)	adjustment piece	17.5444.06	
13	adjustment piece	17.5444.03	
14	adjustment piece	17.5444.00	
15	holder	1.0.5415.310	
16	bolt	5.0.5325.061	
17	spring	50 480 080	
18	bearing lever	17.5311.01	
19	circlips	00101592	(12 SXN 09 - R)
20	handwheel	00111908	(GN 321 G-160-K16-A)
21	buckle bar	17.5100.207	
22	clamping plate (6 buckles)	17.5100.212	
23	excenter lever	10.5125.02	
24	belt tension lever cpl.	15.5200.26	
25	poly-V-belt (parallel unit-6 buckles)	00107618	(470 J8-1194 LW)
	poly-V-belt (8 page unit-6 buckles)	00107681	(480 J8-1222 LW)
	poly-V-belt (parallel unit-4 buckles)	00107600	(415 J8-1054 LW)
	poly-V-belt (8 page unit-4 buckles)	00107848	(430 J8-1092 LW)
26	cylinder screw	0089011.5	(M8x30 DIN912)
27	pulley	1.0.5233.011	
28	holder	1.0.5443.300	
29	ring	00087452	(32x1,2 DIN472)
30	ball bearing	00109678	(6002 - 2RS)
31	bearing lever	17.5311.00	
32	adjustment piece (only 4 buckles)	17.5444.10	
33	adjustment piece (only 4 buckles)	17.5444.05	
34	bolt	1.0.5325.050	
35	bolt	1.0.5325.360	
36	holder	1.0.5444.310	
37	spring	00102699	(Z-130M)
38	shaft B26-S		
	- parallel unit	17.5221.00	
	- 8 page unit (unit II-B30-S-30")	17.5221.02	
	shaft B30-S		
	- parallel unit	17.5221.16	
	- 8 page unit (30")	17.5221.17	
39	pulley	1.0.5233.020	
40	clamping plate (4 buckles)	17.5100.211	
41	roller	1.0.5232.380	
42	bearing	00111799	(F80-491)
43	belt tension lever	3.0.6243.100	
44	bearing plug cpl.	10.5300.06	
45	bearing lever cpl.	15.5300.14	
46	holder	10.6344.01	
47	cylinder screw	0089045.5	(M8x40 DIN912)
48	bolt	1.0.5325.011	
49	holder	1.0.5444.300	
50	disc spring	00103317	(6002 geschlitzt)
51	gliding piece	1.0.5326.020	

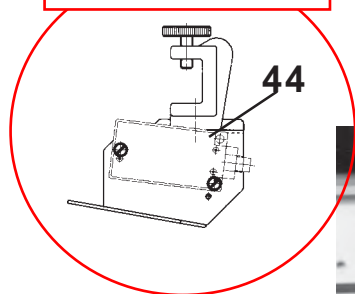


B26-S/B30-S

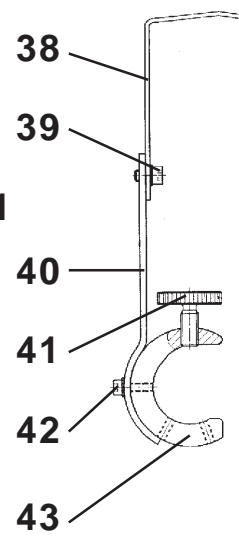
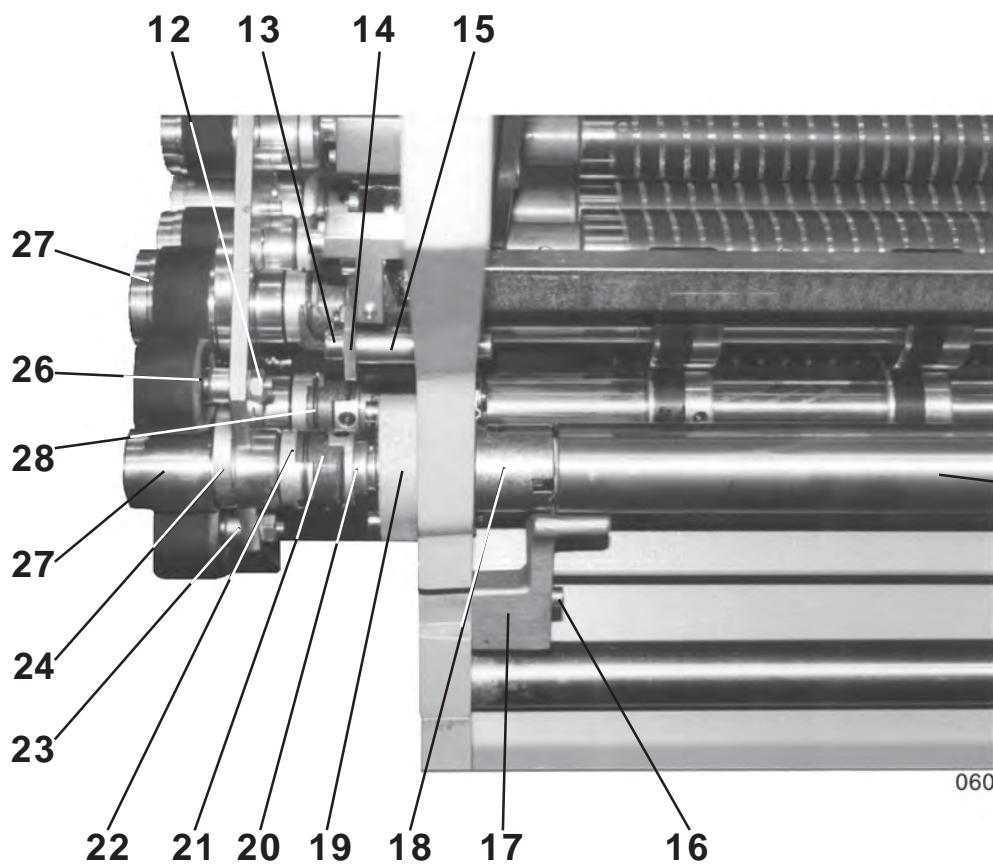
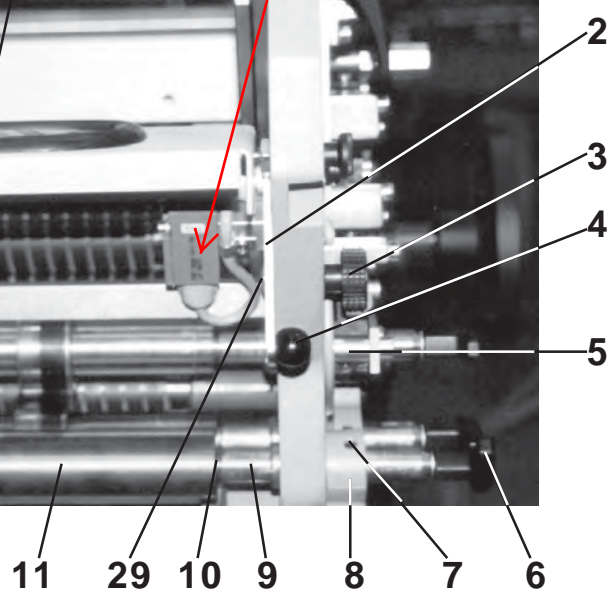
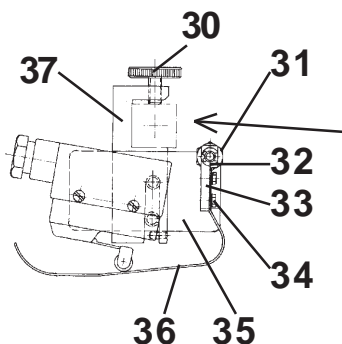
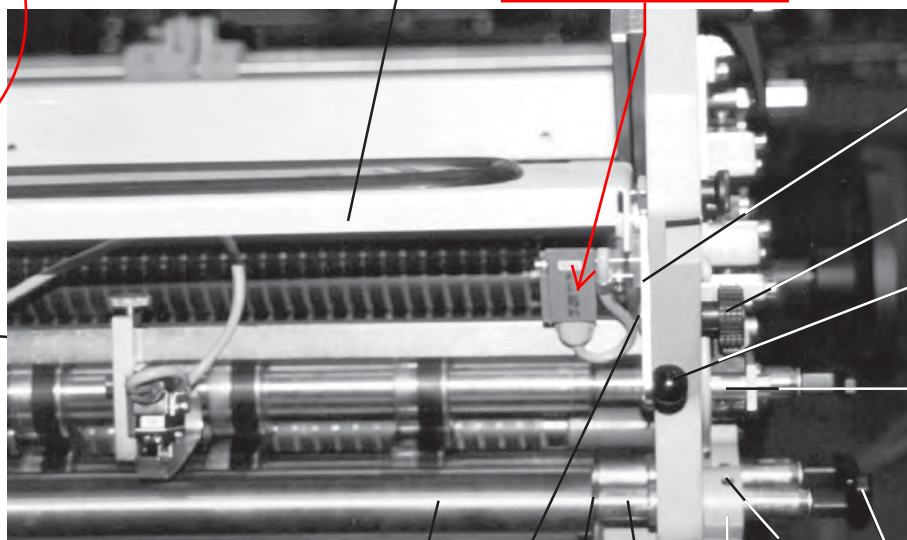
Parallelfold and 8 page unit - 4 and 6 buckle plate type

1750 ENG 3

For main unit with electronic sensor



safety switch
0127462



B26-S/B30-S

Parallelfold and 8 page unit - 4 and 6 buckle plate type

1750 ENG 3

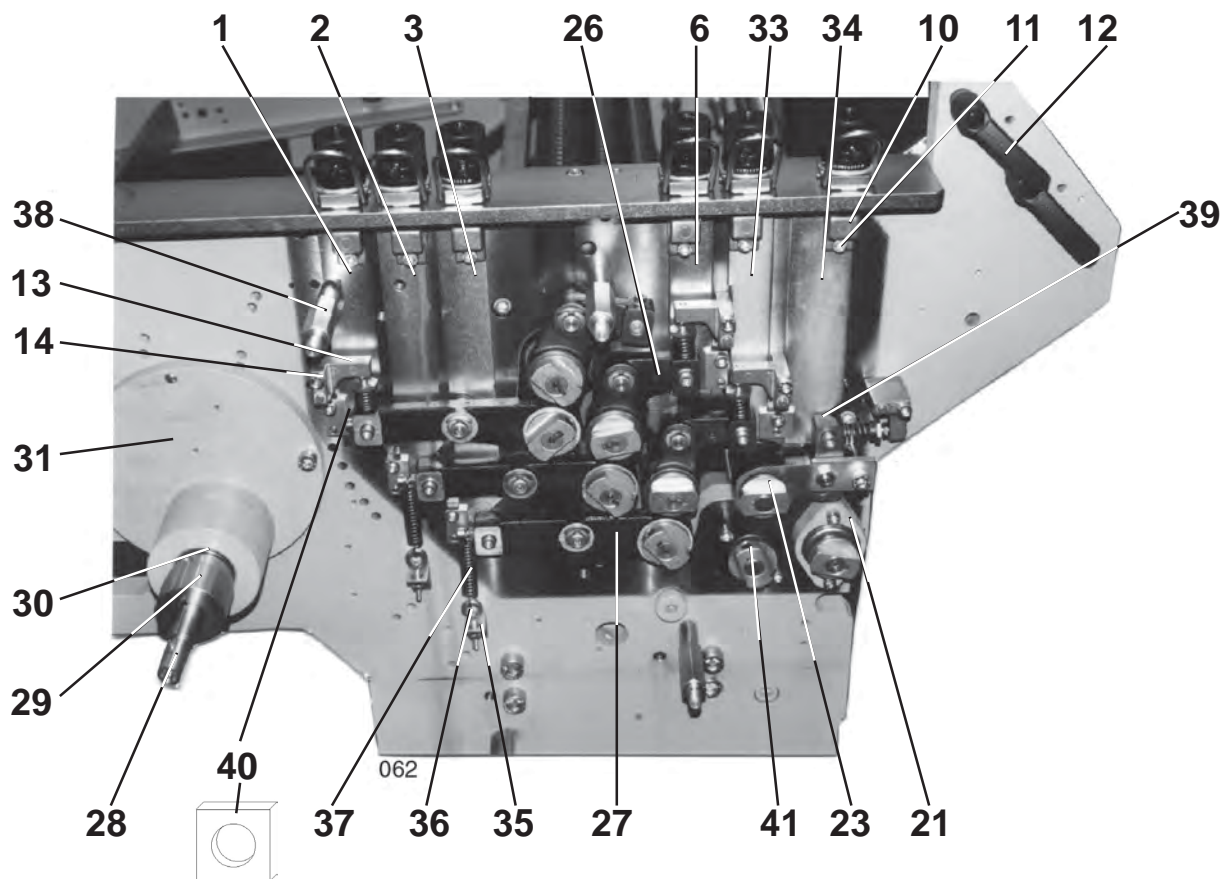
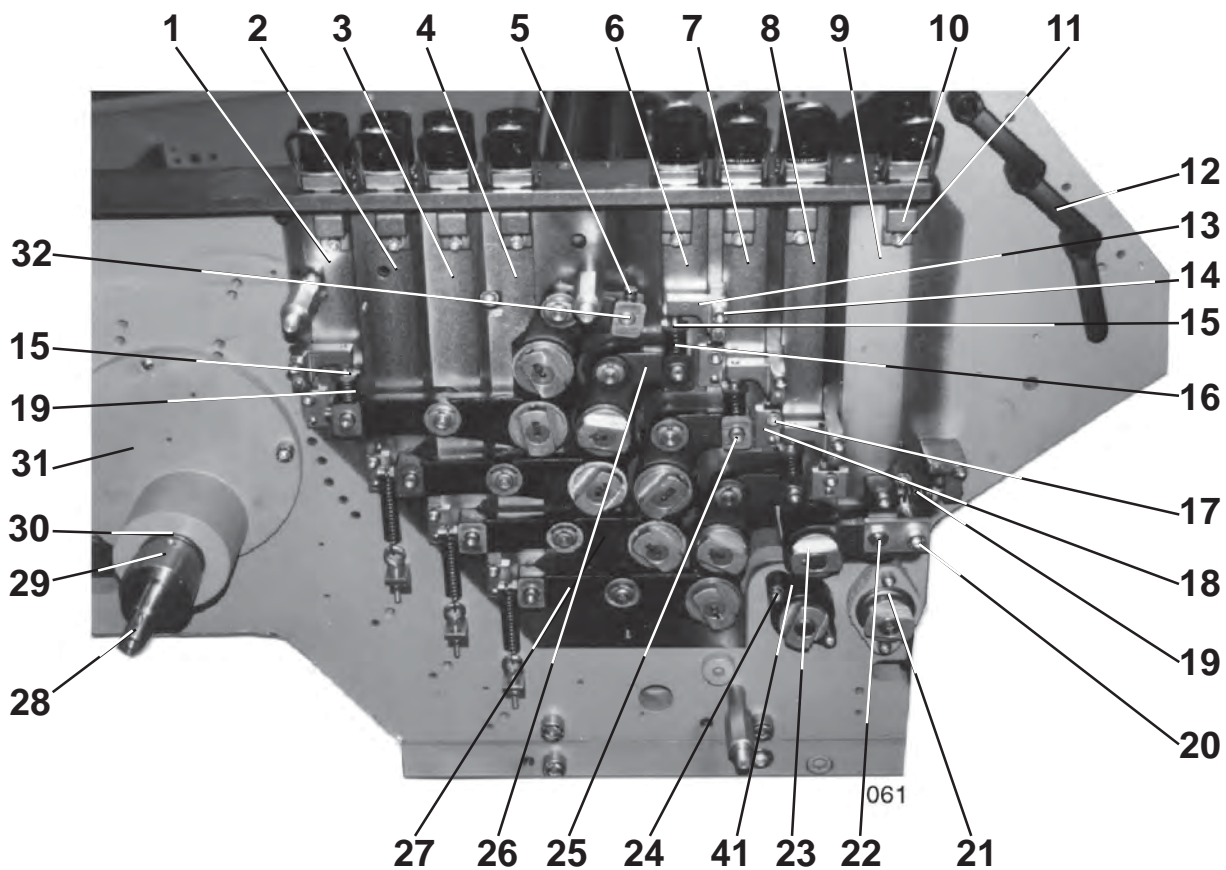
1(*) flap	B26-S	17.5761.32	
	B30-S	17.5761.76	
2 adjustment piece		17.5764.06	
3 knurled grip		00100268	(GN 534-32-M6 SW)
4 ballknop		0086514	(KU-25-M6 DIN319)
5 distance		10.5328.00	
6 grip		00100260	(GN 536-55-M8)
7 adjustment screw		50 370 040	
8 bearing bush		5.0.5312.102	
9 bearing plug		5.0.5325.050	
10 circlips		00087247	(20x1,2 DIN471)
11(*)slitter shaft	B26-S	17.5300.00	
	B30-S	17.5300.108	
12 nut		0090878.5	(M8 DIN934)
13 cylinder screw		0089045.5	(M8x40 DIN912)
14 holder		10.6344.01	
15 distance		10.5328.00	
16 cylinder screw		0088898.5	(M6x50 DIN912)
17 holder		5.0.5111.010	
18 shaft		5.0.5325.071	
19 flange		10.5211.03	
20 coupling piece		3.0.5326.030	
21 coupling		3.0.5226.010	
22 coupling		35:5226:03	
23 distance ring		10.3228.10	
24 bearing block		35.5227.10	
25 pulley		17.5232.20	
26 tape roller		00111781	(F56.202)
27 coupling cpl.		17.5200.121	
28 circlips		3.0.5283.010	
29 screw		0087640.5	(M6x40 DIN 603)
30 knurled screw		0087874.5	(M6x12 DIN653)
31 bolt		20 340 130	
32 circlips		0094185.5	(4 DIN6799)
33 bearing block		4.0.5544.110	
34 screw		0091629.5	(M3x8 DIN963)
35 holder		01.5544.01	
36 bracket		4.0.5585.060	
37 holder		01.5544.00	
38 stripper		17.5544.00	
39 cylinder screw		0088633.5	(M5x8 DIN912)
40 holder		10.5544.06	
41 knurled screw		0087940.5	(M8x20 DIN653)
42 cylinder screw		0088575.5	(M4x10 DIN912)
43 holder		10.5528.01	
44 holder (only par. unit)		15.1200.00	
Pos.6-10			
bearing plug		10.5300.06	
Pos.18-20			
bearing flange cpl.		17.5300.19	
Pos.22-24-25			
coupling cpl.		17.5200.122	
Pos.30-36			
jam detector cpl. (only 8pg unit)		01.5500.08	
Pos.38-43			
stripper cpl.		17.5500.03	

(*) also 8-page unit
B30-S with 26inch
max. Sheet size

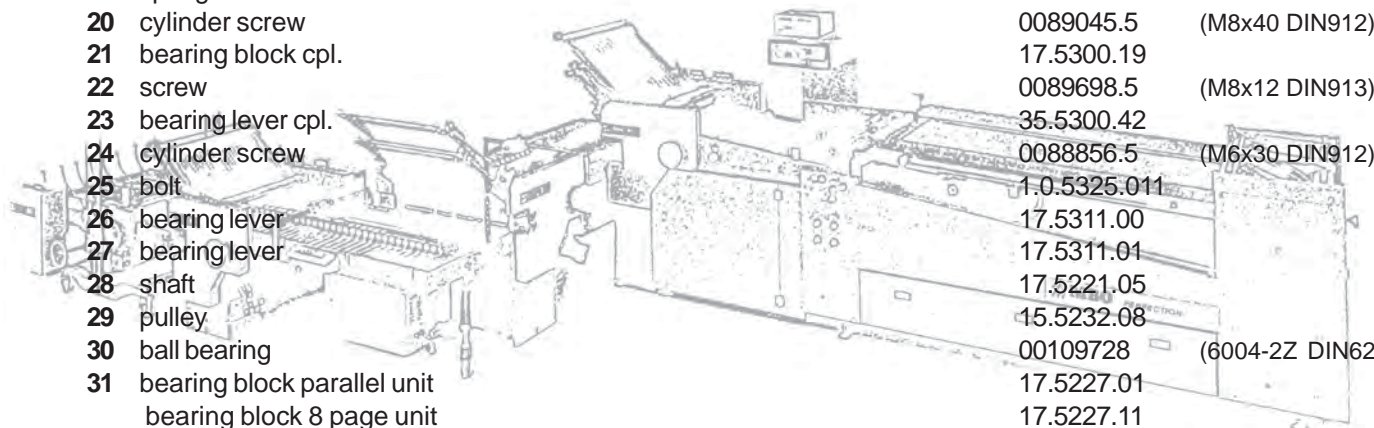
B26-S/B30-S

Parallelfold and 8 page unit - 4 and 6 buckle plate type

1750 ENG 4



1	adjustment piece	17.5444.00	
2	adjustment piece	17.5444.03	
3	adjustment piece	17.5444.06	
4(*)	adjustment piece (only 6 buckles)	17.5444.08	
5	cylinder screw	0088666.5	(M5x16 DIN912)
6	adjustment piece	17.5444.01	
7(*)	adjustment piece (only 6 buckles)	17.5444.04	
8(*)	adjustment piece	17.5444.07	
9(*)	adjustment piece	17.5444.09	
10	adjustment piece	1.0.5415.300	
11	cylinder screw	0088799.5	(M6x12 DIN912)
12	excenter lever	10.5125.02	
13	holder	1.0.5415.310	
14	cylinder screw	0088880.5	(M6x45 DIN912)
15	bolt	5.0.5325.061	
16	spring	00102913	(D252 A-02)
17	cylinder screw	0088823.5	(M6x20 DIN912)
18	holder	1.0.5444.310	
19	spring	50 480 080	
20	cylinder screw	0089045.5	(M8x40 DIN912)
21	bearing block cpl.	17.5300.19	
22	screw	0089698.5	(M8x12 DIN913)
23	bearing lever cpl.	35.5300.42	
24	cylinder screw	0088856.5	(M6x30 DIN912)
25	bolt	1.0.5325.011	
26	bearing lever	17.5311.00	
27	bearing lever	17.5311.01	
28	shaft	17.5221.05	
29	pulley	15.5232.08	
30	ball bearing	00109728	(6004-2Z DIN625)
31	bearing block parallel unit	17.5227.01	
	bearing block 8 page unit	17.5227.11	
32	bolt	1.0.5325.050	
33(**)	adjustment piece	17.5444.05	
34(**)	adjustment piece	17.5444.10	
35	holder	1.0.5443.300	
36	ring screw	0101428.5	(M5x30 Berrang)
37	spring	00102699	(Z-130M)
38	threaded bolt	35.5125.01	
39	bearing lever	1.0.5312.310	
40	gliding piece	1.0.5326.020	
41	bearing block	35.5300.45	



(*) only parallel unit and 8 page
 (**) only 8 page unit

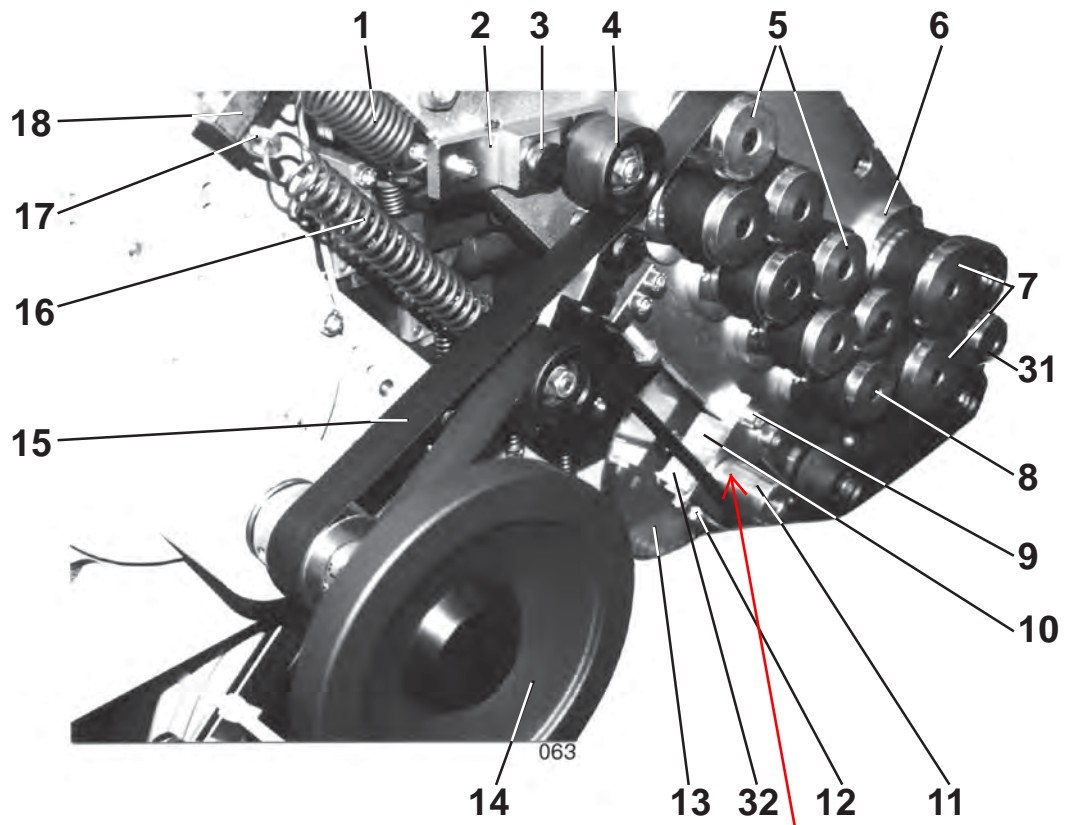
Pos.28-31

bearing block cpl. parallel unit	17.5200.06
bearing block cpl. 8 page unit	17.5200.10

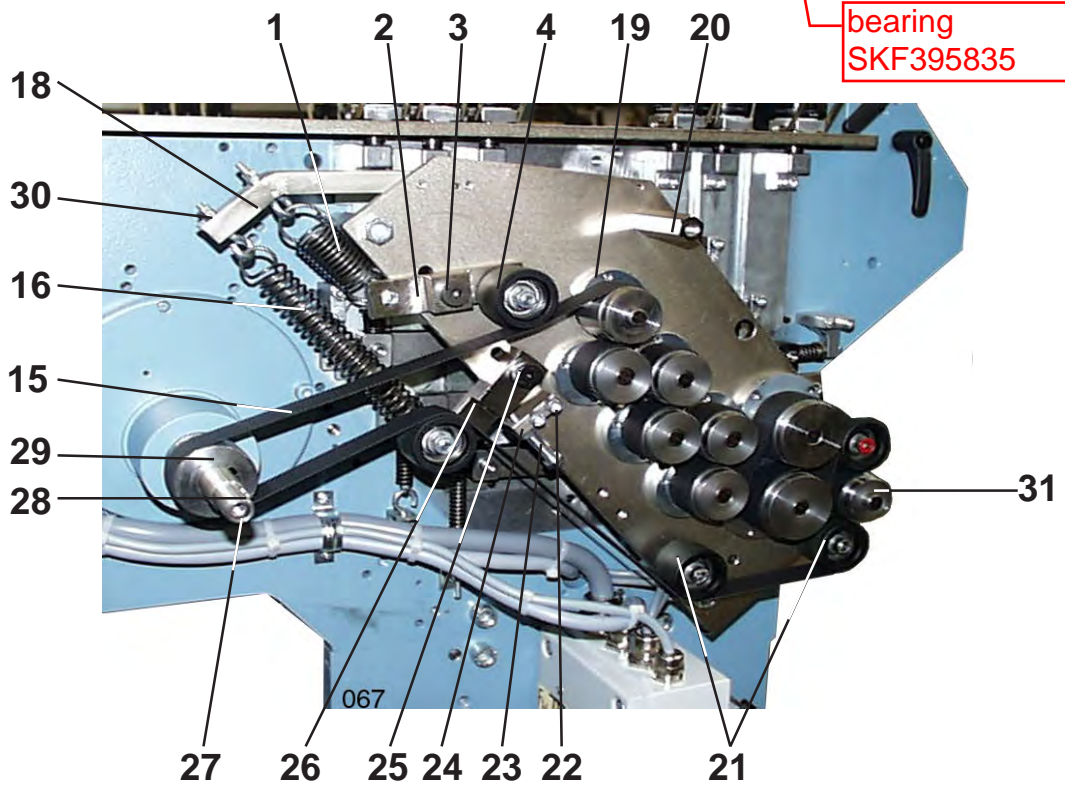
B26-S/B30-S

Parallelfold and 8 page unit - 4 and 6 buckle plate type

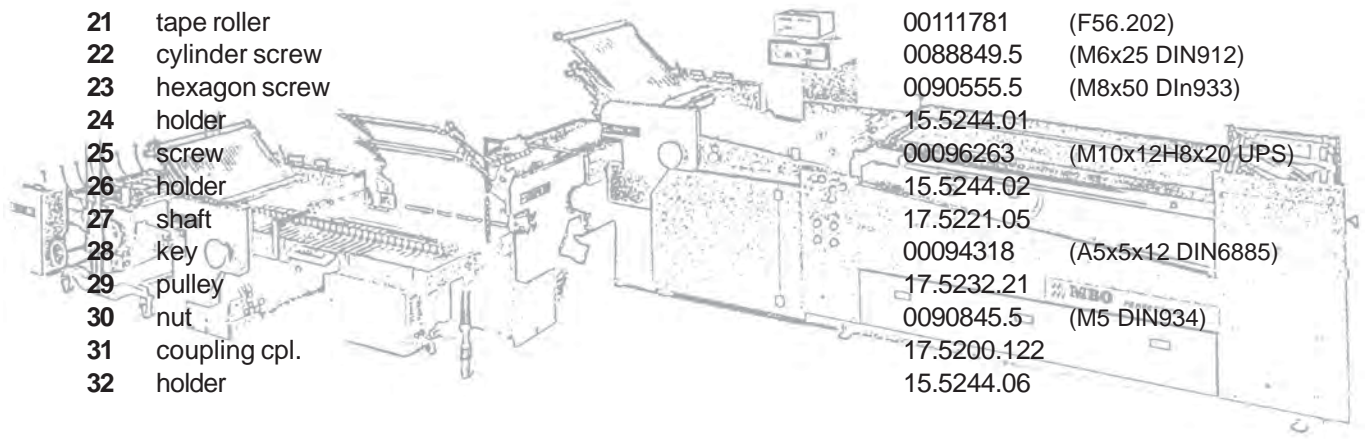
1750 ENG 5



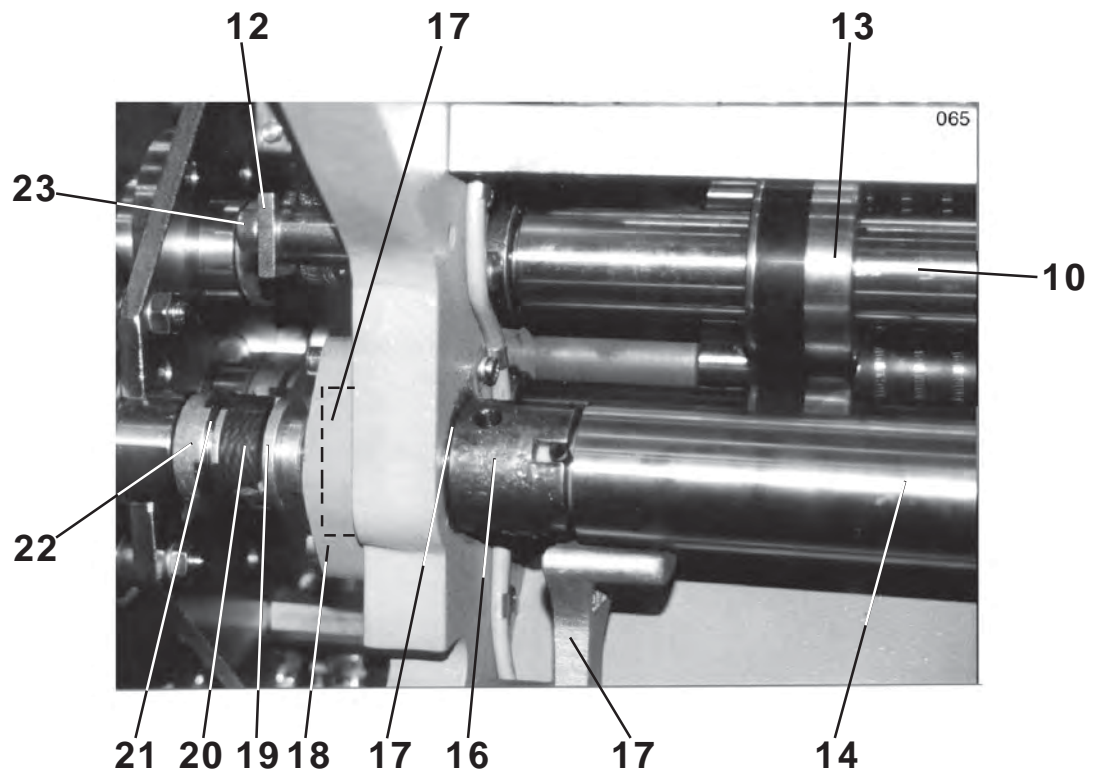
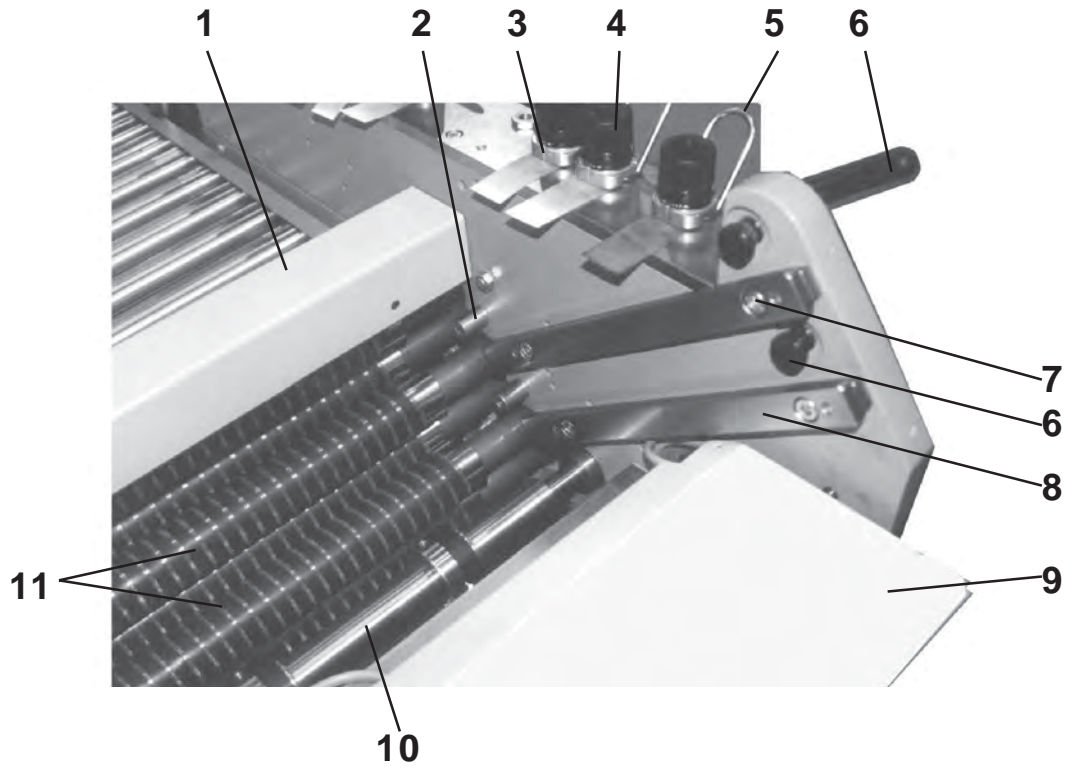
bearing
SKF395835



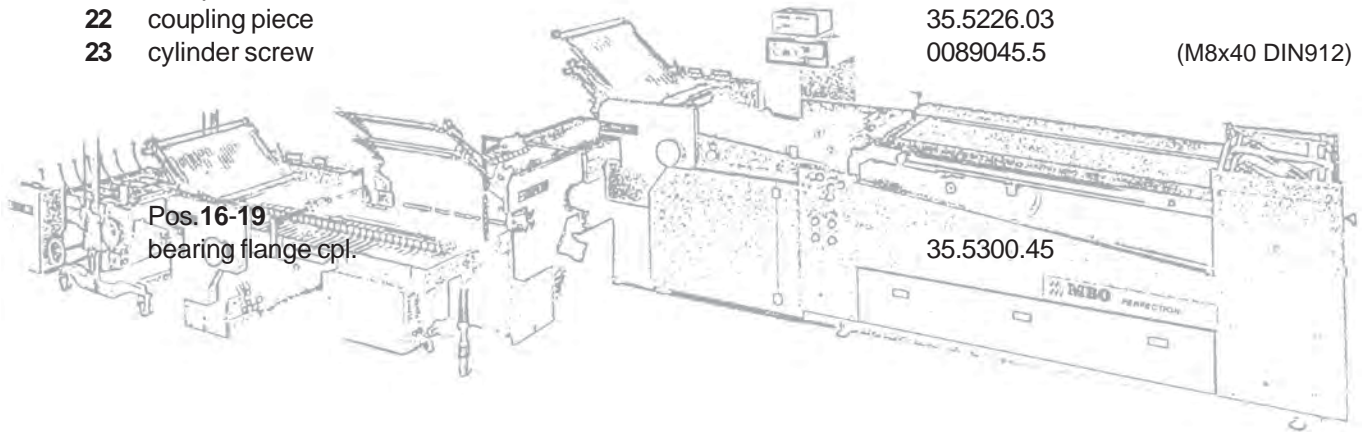
1	spring	00102752	(Z 151 I)
2	lever	15.5244.03	
3	screw	00096263	(M10x12H8x20UPS)
4	tape roller	00111781	(F56.202)
5	coupling cpl.	17.5200.120	
6	bearing	17.5227.09	
7	coupling cpl.	17.5200.121	
8	bearing	00110215	(374.512)
9 (*)	cylinder screw	0088997.5	(M8x20 DIN912)
10(*)	holder	15.5244.05	
11(*)	pulley	15.5232.05	
12(*)	cylinder screw	0088658.5	(M5x12 DIN912)
13(*)	toothed belt	10.5236.03	
14	handwheel	00111908	(160-K16-A GN321.6)
15	tape (4 buckle)	00106289	(NE 17 25x2010)
	tape (6 buckle)	00106291	(NE 17 25x2275)
16	spring	00102753	(Z 155 I)
17	ring screw	0101428.5	(M5x30)
18	holder	15.5253.00	
19	bearing block	35.5227.10	
20	nut	10.5129.01	
21	tape roller	00111781	(F56.202)
22	cylinder screw	0088849.5	(M6x25 DIN912)
23	hexagon screw	0090555.5	(M8x50 DIN933)
24	holder	15.5244.01	
25	screw	00096263	(M10x12H8x20 UPS)
26	holder	15.5244.02	
27	shaft	17.5221.05	
28	key	00094318	(A5x5x12 DIN6885)
29	pulley	17.5232.21	
30	nut	0090845.5	(M5 DIN934)
31	coupling cpl.	17.5200.122	
32	holder	15.5244.06	



(*) nur FWI



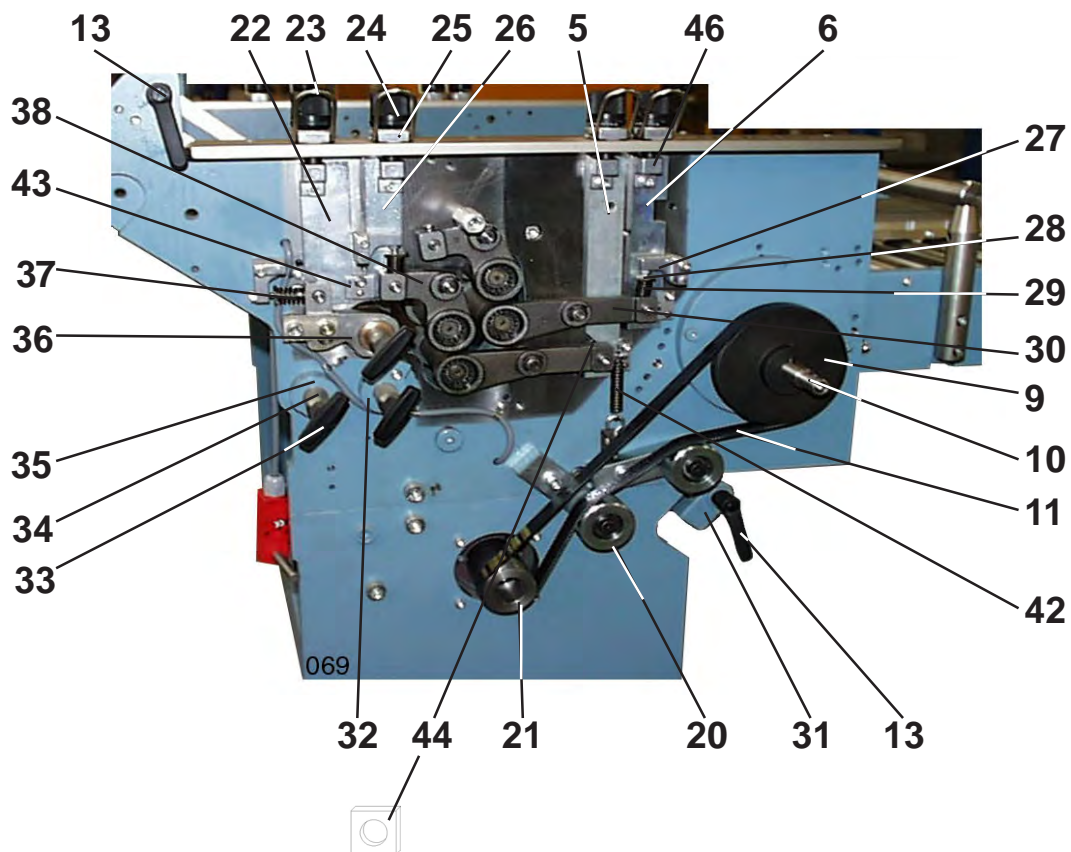
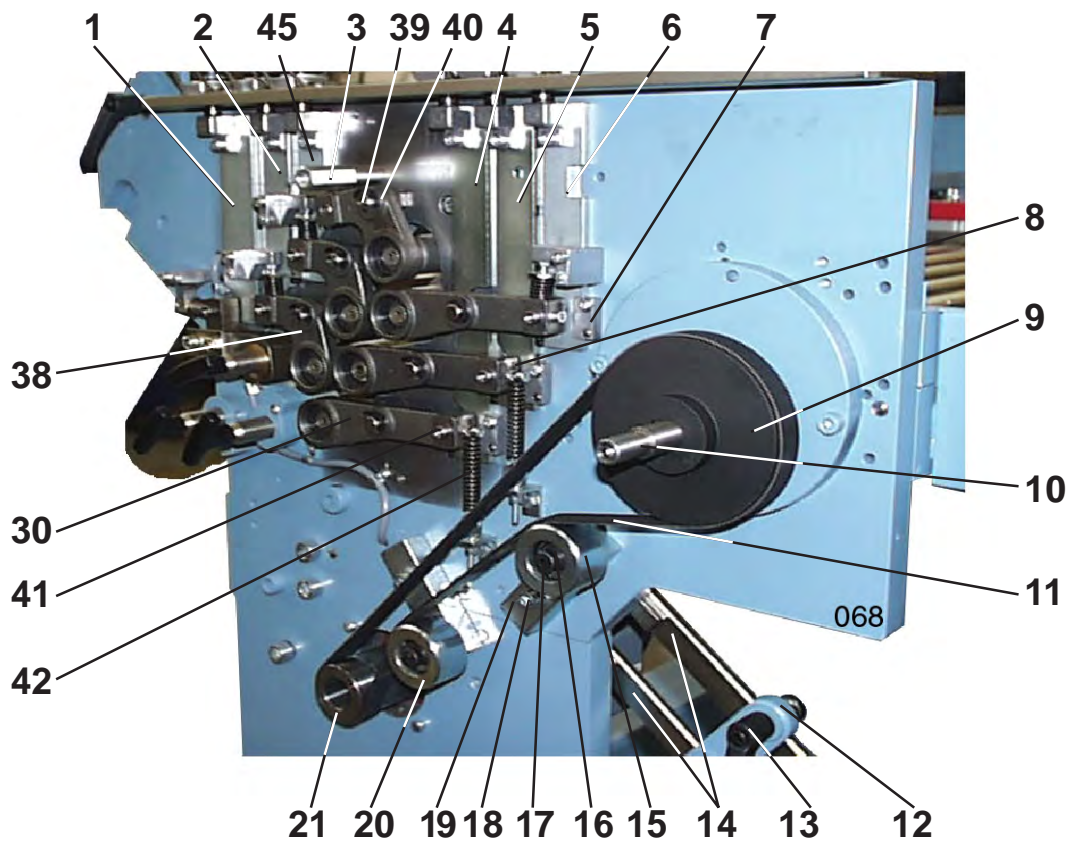
1	guard	17.5161.02	
2	bolt	17.5329.00	
3	pressure piece	1.0.5415.320	
4	grip with scaled ring	1.0.5416.320/1.0.5416.330	
5	hoop	2.0.5486.010	
6	excenter lever	10.5125.02	
7	screw	0096250	(M8x10 H8x60UPS)
8	buckle bar	10.5144.019	
9	flap	17.5761.33	
10	slitter shaft	15.5300.10	
11	fold roller	17.5300.06	
12	holder	10.6344.01	
13	transport roller	01.5339.00	
14	tape roller	15.5300.12	
15	holder	5.0.5111.010	
16	shaft	1.0.5325.091	
17	ball bearing	00109652	(6002-2Z)
18	flange	1.0.5312.300	
19	coupling piece	3.0.5326.030	
20	coupling	3.0.5226.010	
21	circlips	3.0.5283.010	
22	coupling piece	35.5226.03	
23	cylinder screw	0089045.5	(M8x40 DIN912)



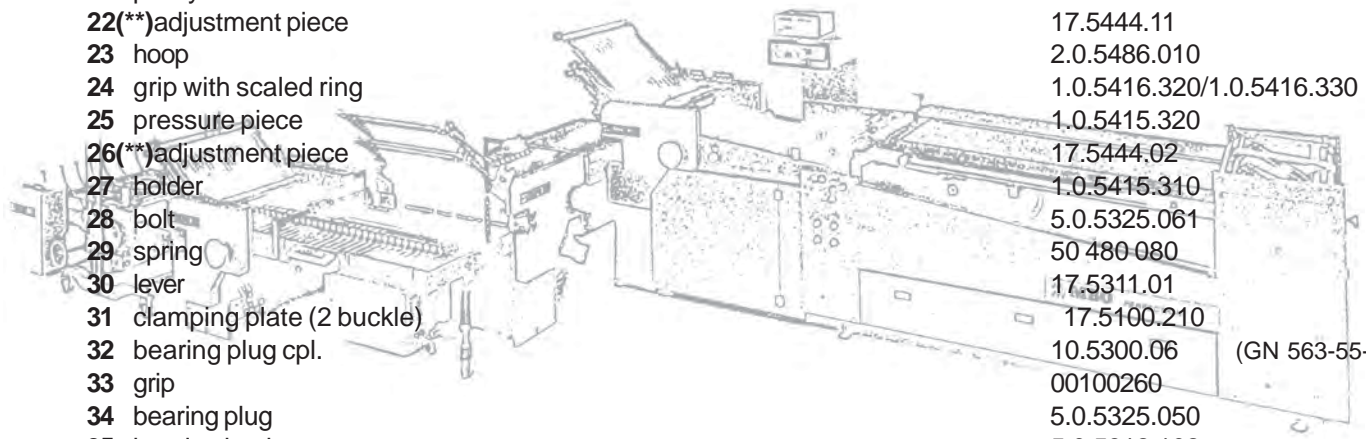
B26-S/B30-S

16 and 32 page unit - 4 and 6 buckle plate type

1750 ENG 7



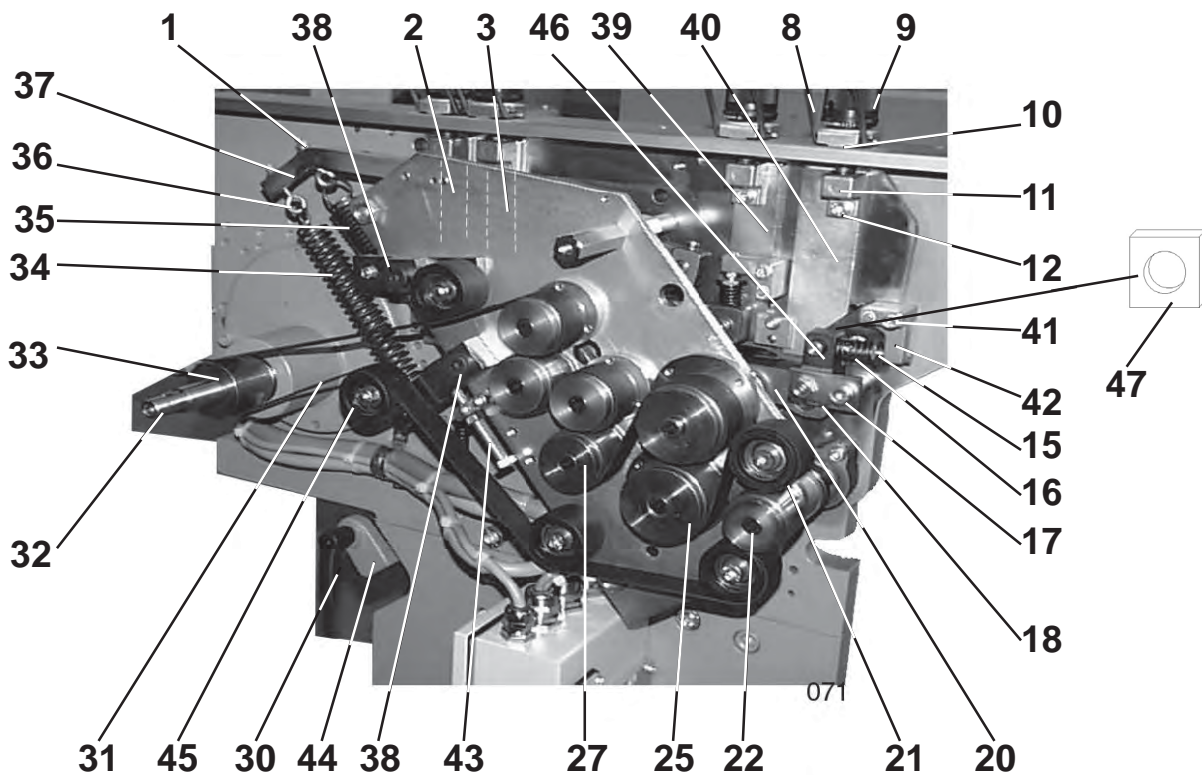
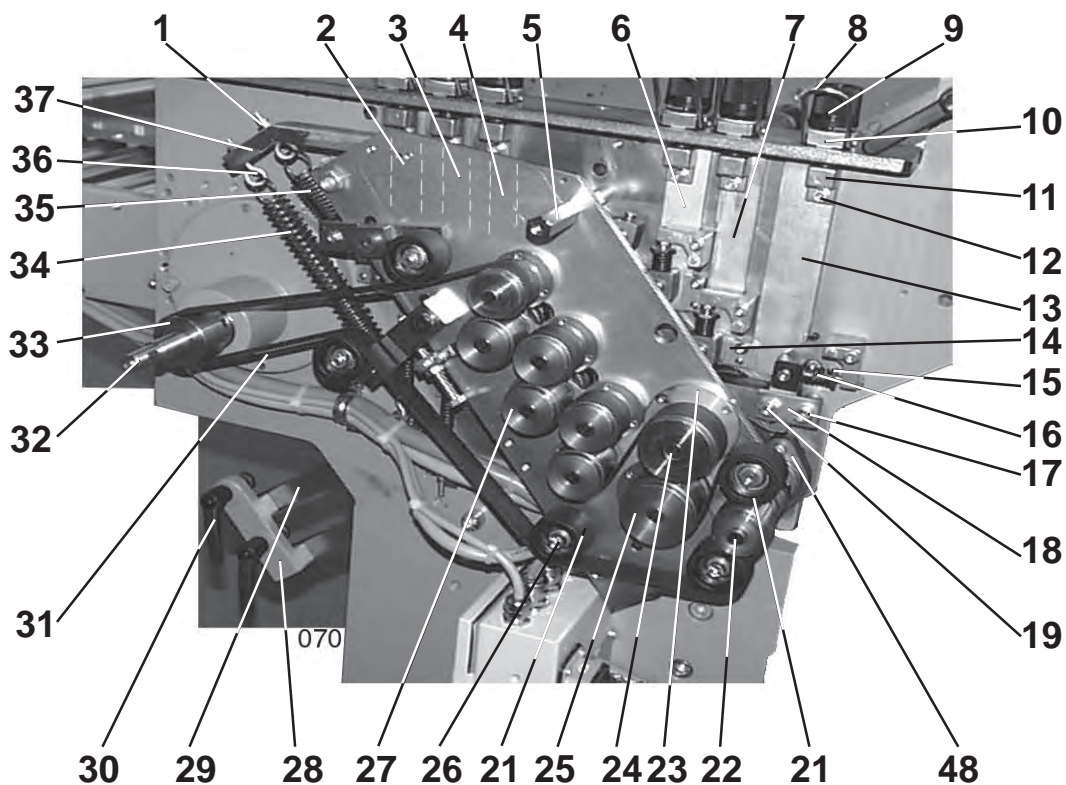
1(*)adjustment piece	17.5444.10	
2(*)adjustment piece	17.5444.05	
3 bolt	35.5125.00	
4(*) adjustment piece	17.5444.06	
5 adjustment piece	17.5444.03	
6 adjustment piece	17.5444.00	
7 holder	1.0.5444.310	
8 cylinder screw	0088682.5	(M5x20 DIN912)
9 pulley	1.0.5233.020	
10 shaft	17.5221.04	
11 poly-V-belt (4 buckle)	00107848	(430 J8-1092LW)
poly-V-belt (2 buckle)	00107565	(380 J8 965LW)
12 clamping plate (4 buckle)	17.5100.211	
13 excenter lever	10.5125.02	
14 buckle bar cpl.	17.5100.207	
15 roller	1.0.5232.380	
16 bearing	00111977	(F80-491)
17 screw	0089037.5	(M8x35 DIN912))
18 cylinder screw	0089011.5	(M8x30 DIN912)
19 belt tension lever	17.5200.52	
21 pulley	1.0.5233.011	
22(**)adjustment piece	17.5444.11	
23 hoop	2.0.5486.010	
24 grip with scaled ring	1.0.5416.320/1.0.5416.330	
25 pressure piece	1.0.5415.320	
26(**)adjustment piece	17.5444.02	
27 holder	1.0.5415.310	
28 bolt	5.0.5325.061	
29 spring	50 480 080	
30 lever	17.5311.01	
31 clamping plate (2 buckle)	17.5100.210	
32 bearing plug cpl.	10.5300.06	(GN 563-55-M8)
33 grip	00100260	
34 bearing plug	5.0.5325.050	
35 bearing bush	5.0.5312.102	
36 bearing lever cpl.	15.5300.14	
37 spring	50 480 080	
38 bearing lever	17.5311.00	
39 bolt	1.0.5325.360	
40 circlips	00101592	(12 SXN 09-R)
41 bolt	1.0.5325.011	
42 spring	00102699	(Z-130 M)
43 holder	1.0.5444.300	
44 gliding piece	1.0.5326.020	
45(*)adjustment piece	17.5444.01	
46 adjustment piece	1.0.5415.300	



(*) only 4 buckle units

(**) only 2 buckle units

B26-S/B30-S



1	nut	0090845.5	(M5 DIN934)
2	adjustment piece	17.5444.00	
3	adjustment piece	17.5444.03	
4(*)	adjustment piece	17.5444.06	
5	nut	10.5129.01	
6(*)	adjustment piece	17.5444.01	
7(*)	adjustment piece	17.5444.05	
8	hoop	2.0.5486.010	
9	grip with scaled ring	1.0.5416.320/1.0.5416.330	
10	pressure piece	1.0.5415.320	
11	adjustment piece	1.0.5415.300	
12	cylinder screw	0088799.5	(M6x12 DIN912)
13(*)	adjustment piece	17.5444.10	
14	holder	1.0.5444.300	
15	bolt	5.0.5325.061	
16	spring	50 480 080	
17	cylinder screw	0089045.5	(M8x40 DIN912)
18	holder	10.6344.01	
19	screw	0089698.5	(M8x12 DIN913)
20	bearing lever cpl.	35.5300.42	
21	tape roller	00111781	(F56.202)
22	coupling cpl.	17.5200.122	
23	bearing block	17.5227.09	
24	bearing lever	00110215	(374.512)
25	pulley	17.5232.19	
26	cylinder screw	0089078.5	(M8x50 DIN912)
27	coupling cpl.	17.5200.120	
28	clamping plate (4 buckle)	17.5100.208	
29	buckle bar cpl.	10.5100.47	
30	excenter lever	10.5125.02	
31	tape (4 buckle)	00106289	(NE 17 25x2010)
	tape (2 buckle)	00106279	(NE 17 25x1750)
32	shaft	17.5232.21	
33	pulley	17.5232.21	
34	spring	00102753	(Z155 I)
35	spring	00102752	(Z151 I)
36	ring screw	0101428.5	(M5x30)
37	holder	15.5253.00	
38(**)	screw	00096263	(M10x12H8x20 UPS)
39(**)	adjustment piece	17.5444.02	
40	adjustment piece	17.5444.11	
41	cylinder screw	0088880.5	(M6x45 DIN912)
42	holder	1.0.5415.310	
43	hexagon screw	0090555.5	(M8x50 DIN933)
44	clamping plate	17.5100.210	
45	tape roller	00111781	(F56.202)
46	bearing lever cpl.	35.5300.42	
47	gliding piece	1.0.5326.020	
48	bearing block cpl.	35.5300.45	

(*) only 4 buckle units

(**) only 2 buckle units

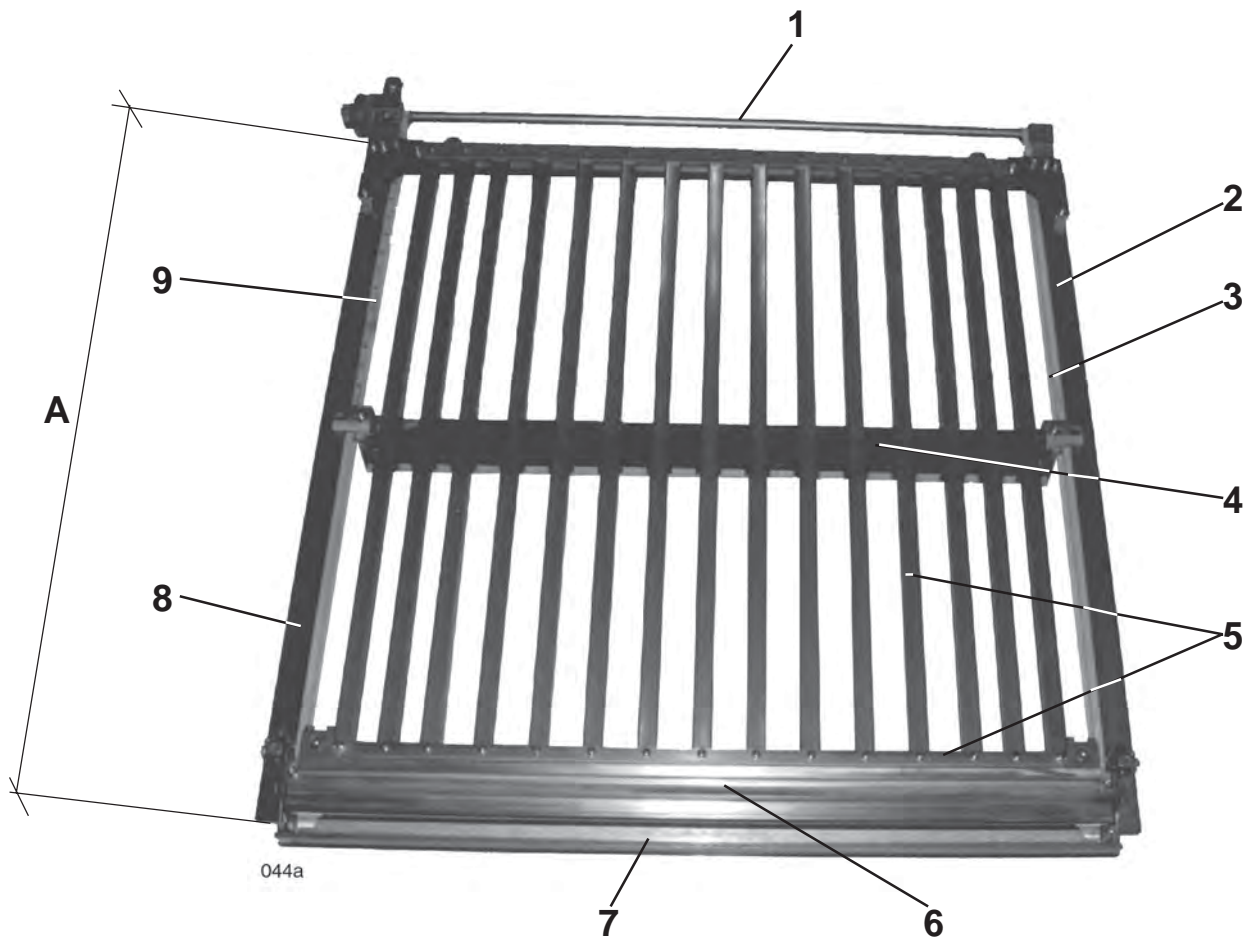
Pos.23-25
coupling cpl.

17.5200.121

B26-S/B30-S

Buckle plates with swing deflectors parallel and 8 page unit

1756 ENG 1

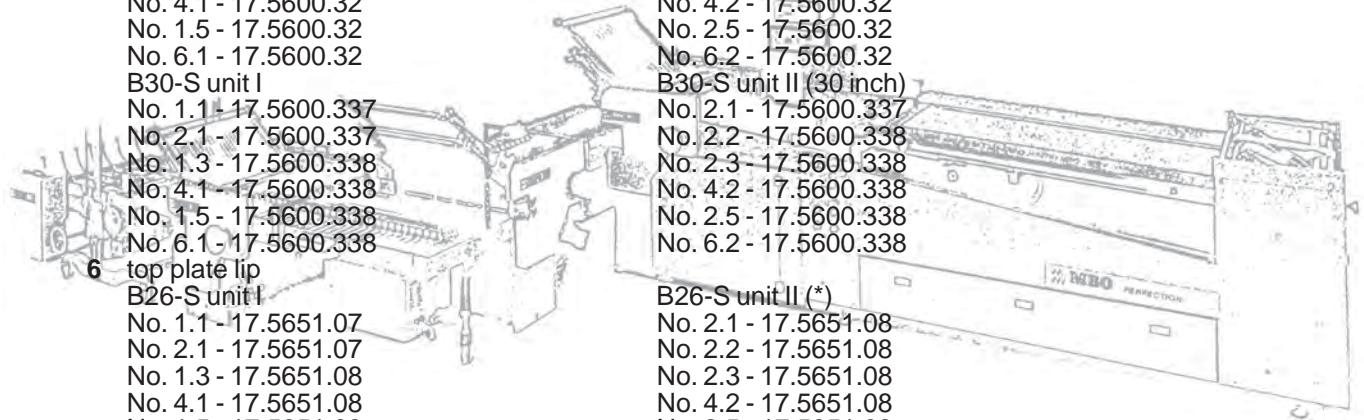


B26-S/B30-S

Buckle plates with swing deflectors parallel and 8 page unit

1756 ENG 1

1	shaft	B26-S	17.5621.00
		B30-S	17.5621.15
2	bar		
	B26-S/B30-S unit I	B26-S/B30-S unit II	
	No. 1.1 (A=828) - 17.5641.05	No. 2.1 (A=828) - 17.5641.05	
	No. 2.1 (A=828) - 17.5641.05	No. 2.2 (A=618) - 17.5641.07	
	No. 1.3 (A=618) - 17.5641.07	No. 2.3 (A=618) - 17.5641.07	
	No. 4.1 (A=618) - 17.5641.07	No. 4.2 (A=618) - 17.5641.07	
	No. 1.5 (A=618) - 17.5641.07	No. 2.5 (A=618) - 17.5641.07	
	No. 6.1 (A=618) - 17.5641.07	No. 6.2 (A=618) - 17.5641.07	
3	timing belt		
	without „mm“ scale	B26-S/B30-S unit II	
	B26-S/B30-S unit I	No. 2.1 - 10.5673.24 (1640 mm lg)	
	No. 1.1 - 10.5673.24 (1640 mm lg)	No. 2.2 - 10.5673.25 (1220 mm lg)	
	No. 2.1 - 10.5673.24 (1640 mm lg)	No. 2.3 - 10.5673.25 (1220 mm lg)	
	No. 1.3 - 10.5673.25 (1220 mm lg)	No. 4.2 - 10.5673.25 (1220 mm lg)	
	No. 4.1 - 10.5673.25 (1220 mm lg)	No. 2.5 - 10.5673.25 (1220 mm lg)	
	No. 1.5 - 10.5673.25 (1220 mm lg)	No. 6.2 - 10.5673.25 (1220 mm lg)	
	No. 6.1 - 10.5673.25 (1220 mm lg)		
4	sheet stop	B26-S	17.5600.91(*)
		B30-S	17.5600.340 (30")
5	buckle part top		
	B26-S unit I	B26-S unit II (*)	
	No. 1.1 - 17.5600.31	No. 2.1 - 17.5600.31	
	No. 2.1 - 17.5600.31	No. 2.2 - 17.5600.32	
	No. 1.3 - 17.5600.32	No. 2.3 - 17.5600.32	
	No. 4.1 - 17.5600.32	No. 4.2 - 17.5600.32	
	No. 1.5 - 17.5600.32	No. 2.5 - 17.5600.32	
	No. 6.1 - 17.5600.32	No. 6.2 - 17.5600.32	
	B30-S unit I	B30-S unit II (30 inch)	
	No. 1.1 - 17.5600.337	No. 2.1 - 17.5600.337	
	No. 2.1 - 17.5600.337	No. 2.2 - 17.5600.338	
	No. 1.3 - 17.5600.338	No. 2.3 - 17.5600.338	
	No. 4.1 - 17.5600.338	No. 4.2 - 17.5600.338	
	No. 1.5 - 17.5600.338	No. 2.5 - 17.5600.338	
	No. 6.1 - 17.5600.338	No. 6.2 - 17.5600.338	
6	top plate lip		
	B26-S unit I	B26-S unit II (*)	
	No. 1.1 - 17.5651.07	No. 2.1 - 17.5651.08	
	No. 2.1 - 17.5651.07	No. 2.2 - 17.5651.08	
	No. 1.3 - 17.5651.08	No. 2.3 - 17.5651.08	
	No. 4.1 - 17.5651.08	No. 4.2 - 17.5651.08	
	No. 1.5 - 17.5651.08	No. 2.5 - 17.5651.08	
	No. 6.1 - 17.5651.08	No. 6.2 - 17.5651.08	
	B30-S unit I	B30-S unit II (30 inch)	
	No. 1.1 - 17.5651.61	No. 2.1 - 17.5651.62	
	No. 2.1 - 17.5651.61	No. 2.2 - 17.5651.62	
	No. 1.3 - 17.5651.62	No. 2.3 - 17.5651.62	
	No. 4.1 - 17.5651.62	No. 4.2 - 17.5651.62	
	No. 1.5 - 17.5651.62	No. 2.5 - 17.5651.62	
	No. 6.1 - 17.5651.62	No. 6.2 - 17.5651.62	
7	deflector	B26-S	17.5651.12
		B30-S	17.5651.59
8	bar		
	B26-S/B30-S unit I	B26-S/B30-S unit II	
	No. 1.1 (A=828) - 17.5641.04	No. 2.1 (A=828) - 17.5641.04	
	No. 2.1 (A=828) - 17.5641.04	No. 2.2 (A=618) - 17.5641.06	
	No. 1.3 (A=618) - 17.5641.06	No. 2.3 (A=618) - 17.5641.06	
	No. 4.1 (A=618) - 17.5641.06	No. 4.2 (A=618) - 17.5641.06	
	No. 1.5 (A=618) - 17.5641.06	No. 2.5 (A=618) - 17.5641.06	
	No. 6.1 (A=618) - 17.5641.06	No. 6.2 (A=618) - 17.5641.06	

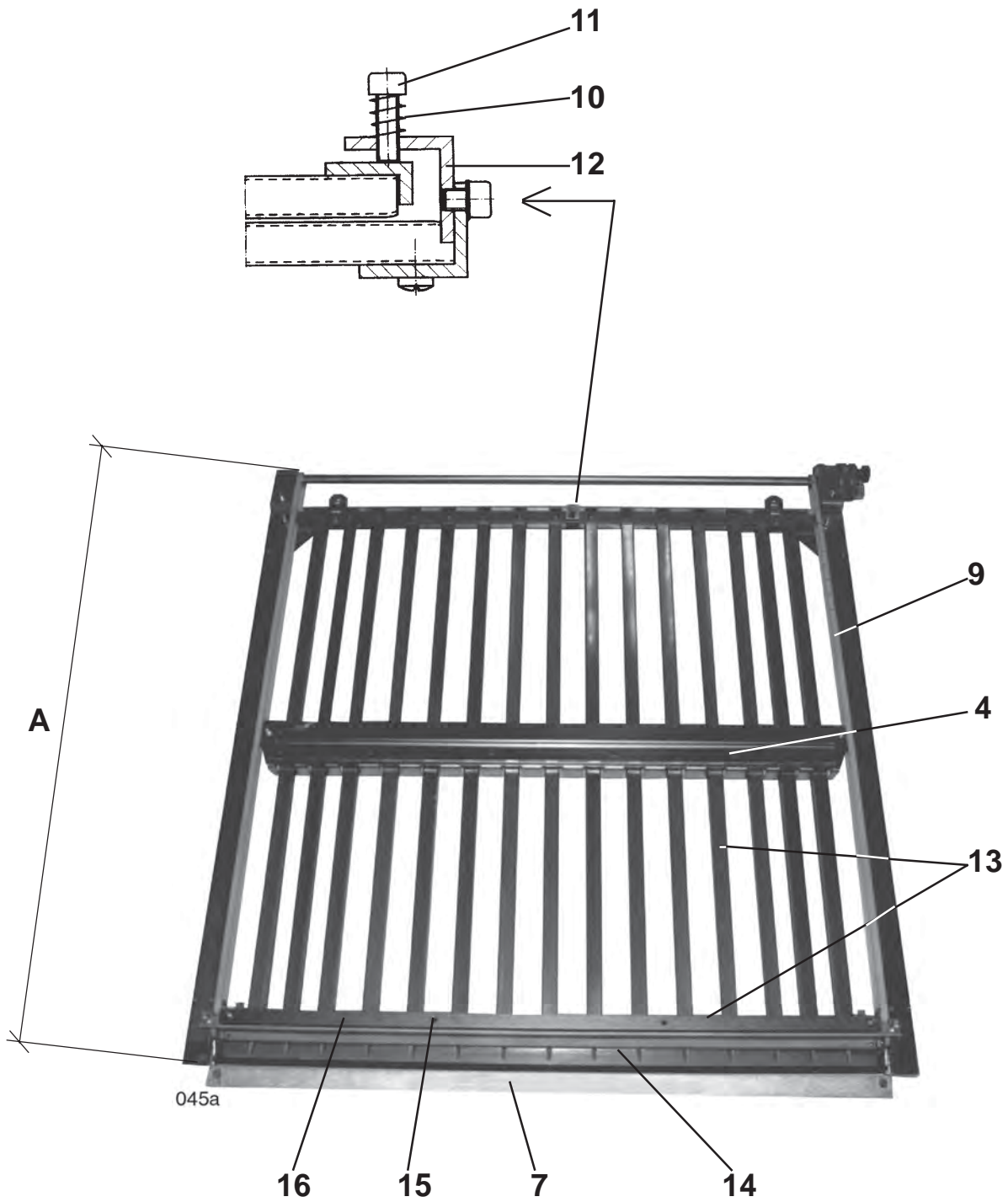


(*) also 8-page unit
B30-S with 26 inch
max. sheet size

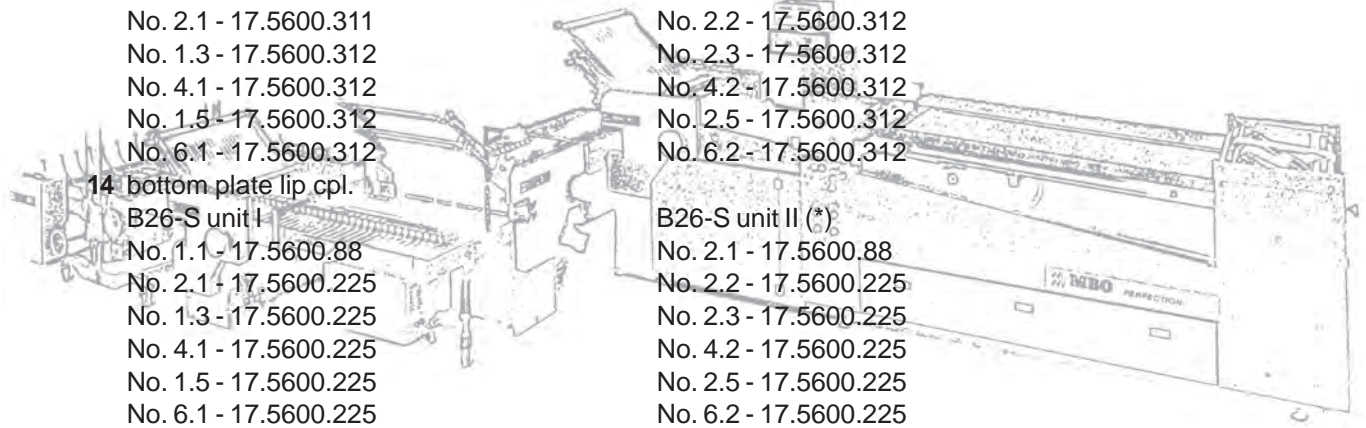
B26-S/B30-S

Buckle plates with swing deflectors parallel and 8 page unit

1756 ENG 2



9	timing belt with scale „mm“ B26-S/B30-S unit I No. 2.1 - 17.5673.04 (1640 mm lg) No. 2.2 - 17.5673.07 (1220 mm lg) No. 2.3 - 17.5673.06 (1220 mm lg) No. 4.2 - 17.5673.07 (1640 mm lg) No. 2.5 - 17.5673.06 (1220 mm lg) No. 6.2 - 17.5673.07 (1220 mm lg)	B26-S/B30-S unit II No. 1.1 - 17.5673.04 (1640 mm lg) No. 2.1 - 17.5673.05 (1640 mm lg) No. 1.3 - 17.5673.06 (1220 mm lg) No. 4.1 - 17.5673.07 (1220 mm lg) No. 1.5 - 17.5673.06 (1220 mm lg) No. 6.1 - 17.5673.07 (1220 mm lg)	
10	spring	00102681 (D128)	
11	cylinder screw	0088666.5 (M5x16 DIN912)	
12	holder	10.5653.20	
13	buckle part below cpl. .		
	B26-S unit I		B26-S unit II (*)
	No. 1.1 - 17.5600.81	No. 2.1 - 17.5600.81	
	No. 2.1 - 17.5600.240	No. 2.2 - 17.5600.82	
	No. 1.3 - 17.5600.82	No. 2.3 - 17.5600.82	
	No. 4.1 - 17.5600.82	No. 4.2 - 17.5600.82	
	No. 1.5 - 17.5600.82	No. 2.5 - 17.5600.82	
	No. 6.1 - 17.5600.82	No. 6.2 - 17.5600.82	
	B30-S unit I	B30-S unit II (30 inch)	
	No. 1.1 - 17.5600.310	No. 2.1 - 17.5600.310	
	No. 2.1 - 17.5600.311	No. 2.2 - 17.5600.312	
	No. 1.3 - 17.5600.312	No. 2.3 - 17.5600.312	
	No. 4.1 - 17.5600.312	No. 4.2 - 17.5600.312	
	No. 1.5 - 17.5600.312	No. 2.5 - 17.5600.312	
	No. 6.1 - 17.5600.312	No. 6.2 - 17.5600.312	
14	bottom plate lip cpl.		
	B26-S unit I	B26-S unit II (*)	
	No. 1.1 - 17.5600.88	No. 2.1 - 17.5600.88	
	No. 2.1 - 17.5600.225	No. 2.2 - 17.5600.225	
	No. 1.3 - 17.5600.225	No. 2.3 - 17.5600.225	
	No. 4.1 - 17.5600.225	No. 4.2 - 17.5600.225	
	No. 1.5 - 17.5600.225	No. 2.5 - 17.5600.225	
	No. 6.1 - 17.5600.225	No. 6.2 - 17.5600.225	
	B30-S unit I	B30-S unit II (30 inch)	
	No. 1.1 - 17.5600.316	No. 2.1 - 17.5600.316	
	No. 2.1 - 17.5600.317	No. 2.2 - 17.5600.317	
	No. 1.3 - 17.5600.317	No. 2.3 - 17.5600.317	
	No. 4.1 - 17.5600.317	No. 4.2 - 17.5600.317	
	No. 1.5 - 17.5600.317	No. 2.5 - 17.5600.317	
	No. 6.1 - 17.5600.317	No. 6.2 - 17.5600.317	
15	screw	0089615.5 (M6x10 DIN913)	
16	reinforcing bar	B26-S 17.5641.00	
		B30-S 17.5641.16 17.5641.41	

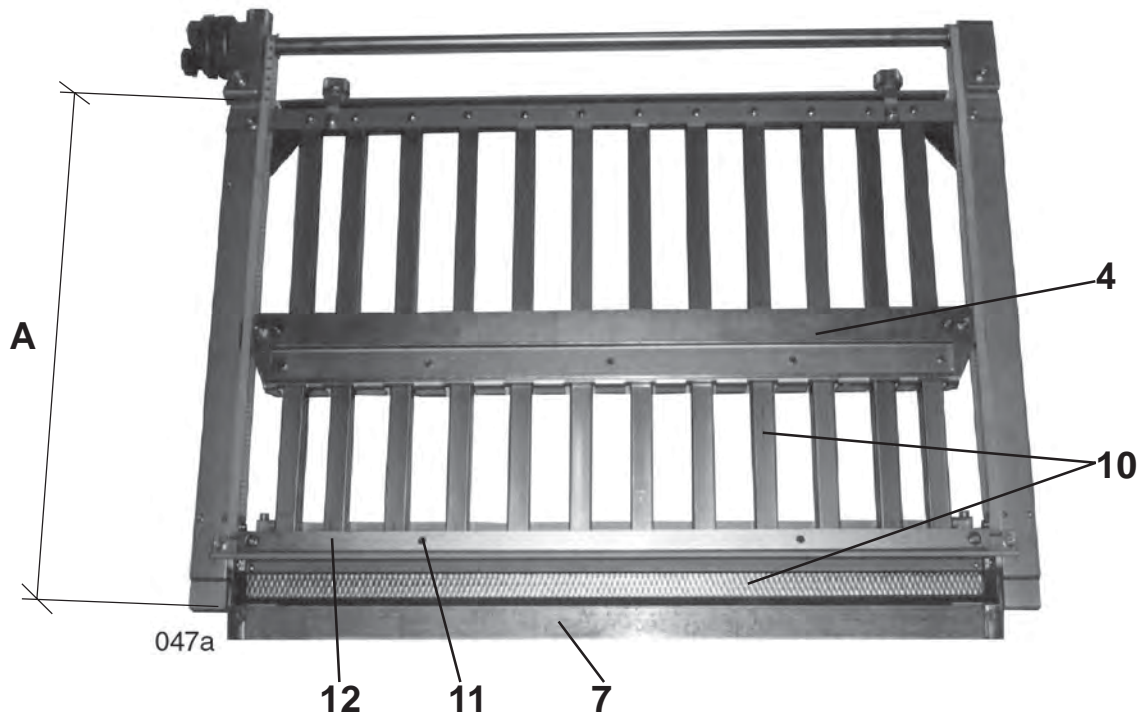
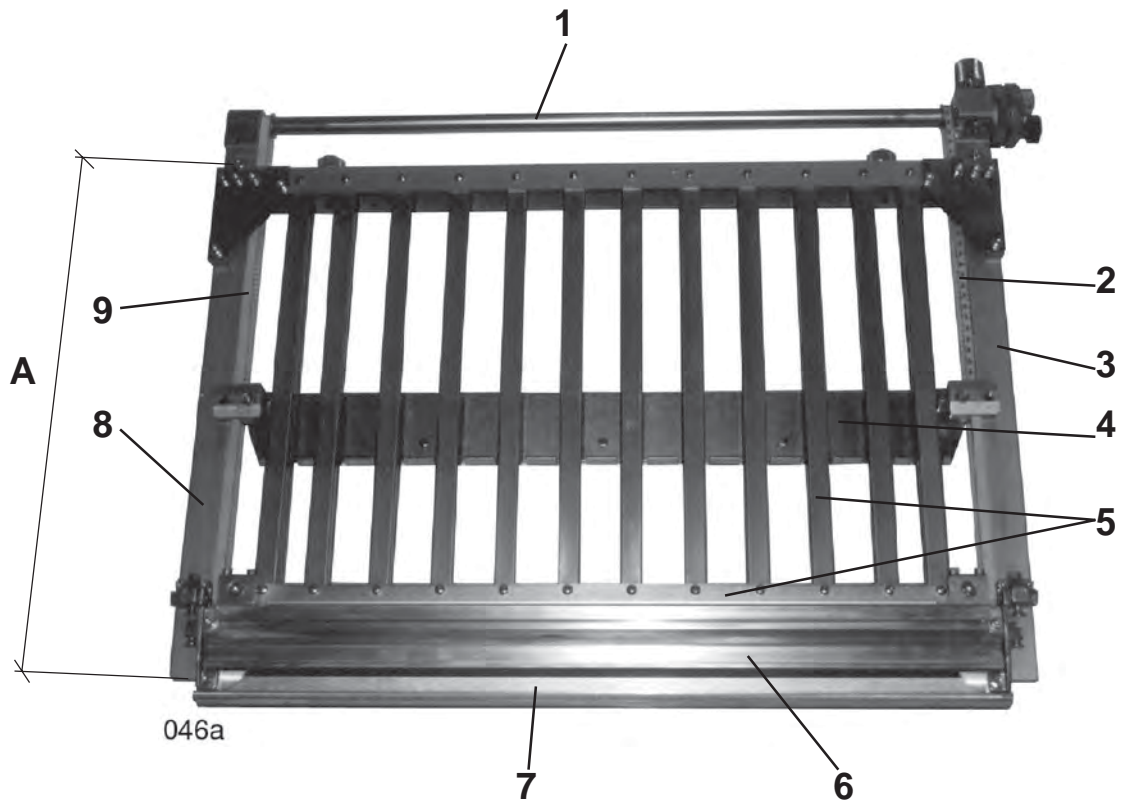


(*) also 8-page unit
 B30-S with 26 inch
 max. sheet size

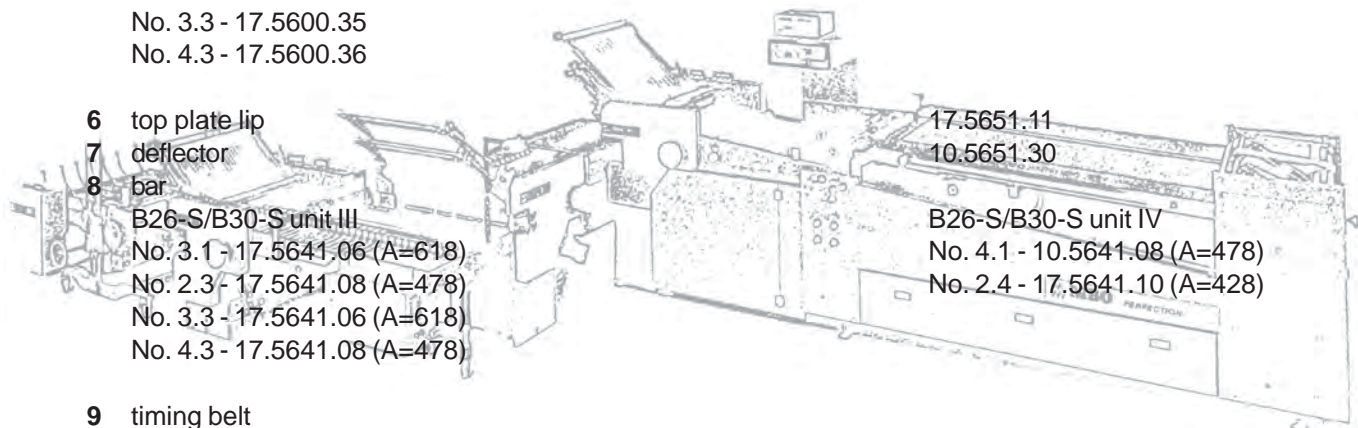
B26-S/B30-S

Buckle plates with swing deflectors 16 and 32 page unit

1756 ENG 3



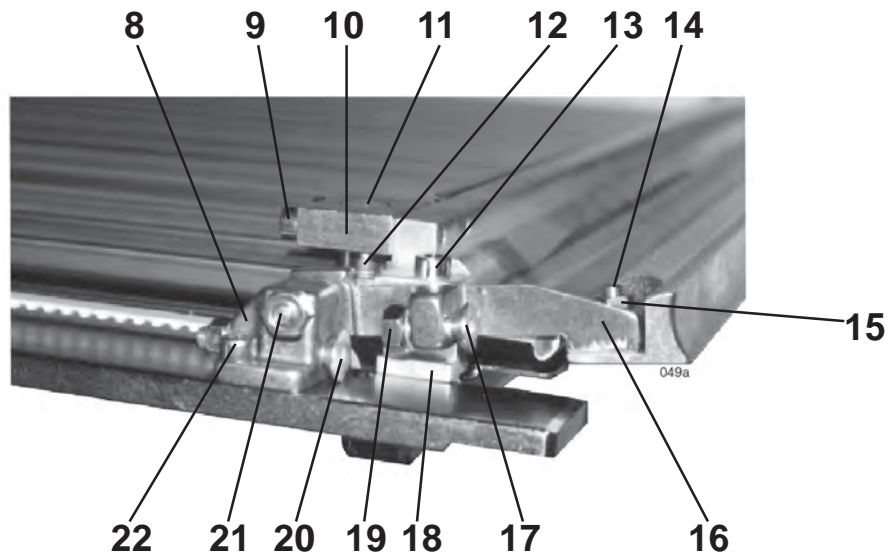
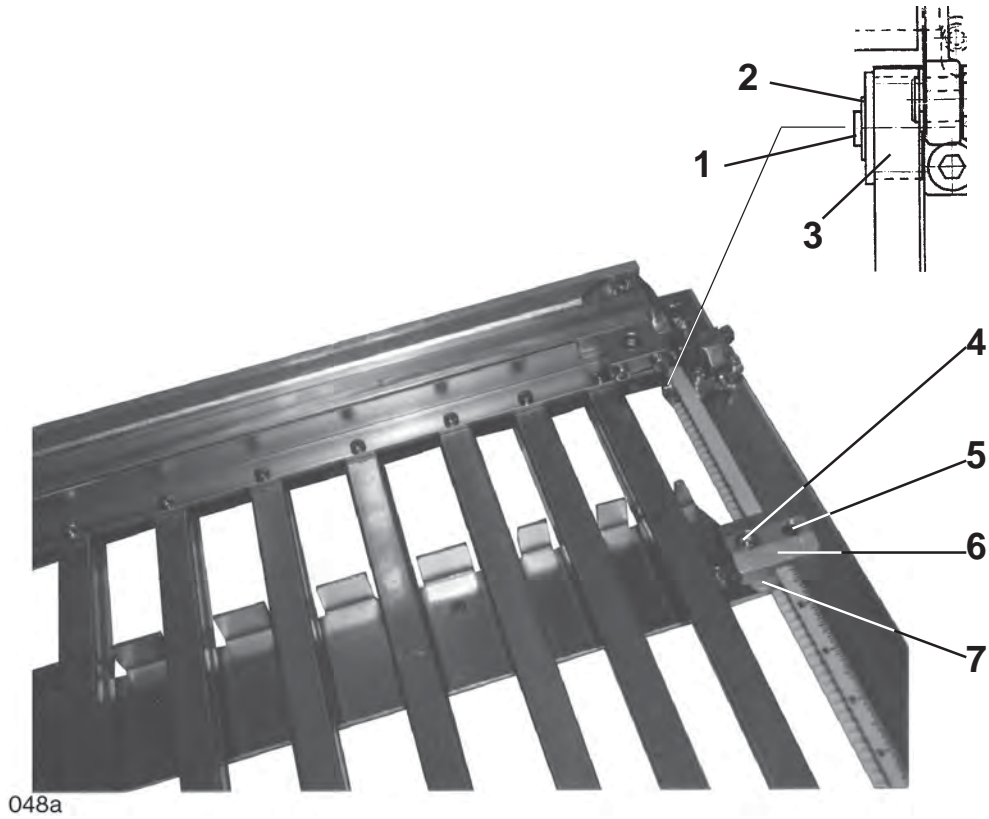
<p>1 bar</p>	<p>10.5621.04</p>
<p>2 timing belt with scale „inch“ B26-S/B30-S unit III No. 3.1 - 17.5673.06 (1220 mm lg) No. 2.3 - 17.5673.14 (940 mm lg) No. 3.3 - 17.5673.06 (1220 mm lg) No. 4.3 - 17.5673.14 (940 mm lg)</p>	<p>B26-S/B30-S unit IV No. 4.1 - 17.5673.12 (940 mm lg) No. 2.4 - 17.5673.16 (840 mm lg)</p>
<p>3 bar B26-S/B30-S unit III No. 3.1 - 17.5641.07 (A=618) No. 2.3 - 17.5641.09 (A=478) No. 3.3 - 17.5641.07 (A=618) No. 4.3 - 17.5641.09 (A=478)</p>	<p>B26-S/B30-S unit IV No. 4.1 - 17.5641.09 (A=618) No. 2.4 - 17.5641.11 (A=428)</p>
<p>4 sheet stop</p>	<p>10.5600.81</p>
<p>5 buckle part top cpl. poche du haut B26-S/B30-S unit III No. 3.1 - 17.5600.35 No. 2.3 - 17.5600.36 No. 3.3 - 17.5600.35 No. 4.3 - 17.5600.36</p>	<p>B26-S/B30-S unit IV No. 4.1 - 17.5600.36 No. 2.4 - 17.5600.37</p>
<p>6 top plate lip</p>	<p>17.5651.11</p>
<p>7 deflector</p>	<p>10.5651.30</p>
<p>8 bar B26-S/B30-S unit III No. 3.1 - 17.5641.06 (A=618) No. 2.3 - 17.5641.08 (A=478) No. 3.3 - 17.5641.06 (A=618) No. 4.3 - 17.5641.08 (A=478)</p>	<p>B26-S/B30-S unit IV No. 4.1 - 10.5641.08 (A=478) No. 2.4 - 17.5641.10 (A=428)</p>
<p>9 timing belt without scale B26-S/B30-S unit III No. 3.1 - 10.5673.25 (1220 mm lg) No. 2.3 - 10.5673.28 (940 mm lg) No. 3.3 - 10.5673.25 (1220 mm lg) No. 4.3 - 10.5673.28 (940 mm lg)</p>	<p>B26-S/B30-S unit IV No. 4.1 - 10.5673.25 (940 mm lg) No. 2.4 - 17.5673.18 (840 mm lg)</p>
<p>10 buckle part below cpl. B26-S/B30-S unit III No. 3.1 - 17.5600.85 No. 2.3 - 17.5600.86 No. 3.3 - 17.5600.85 No. 4.3 - 17.5600.86</p>	<p>B26-S/B30-S unit IV No. 4.1 - 17.5600.85 No. 2.4 - 17.5600.87</p>
<p>11 screw</p>	<p>0089615.5 (M6x10 DIN913)</p>
<p>12 reinforcing bar</p>	<p>17.5641.02</p>



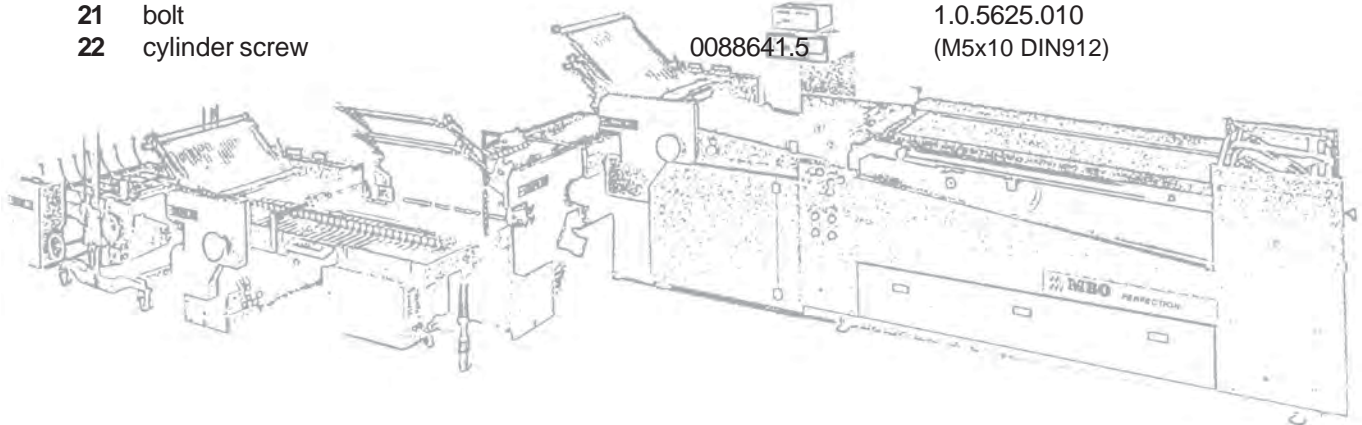
B26-S/B30-S

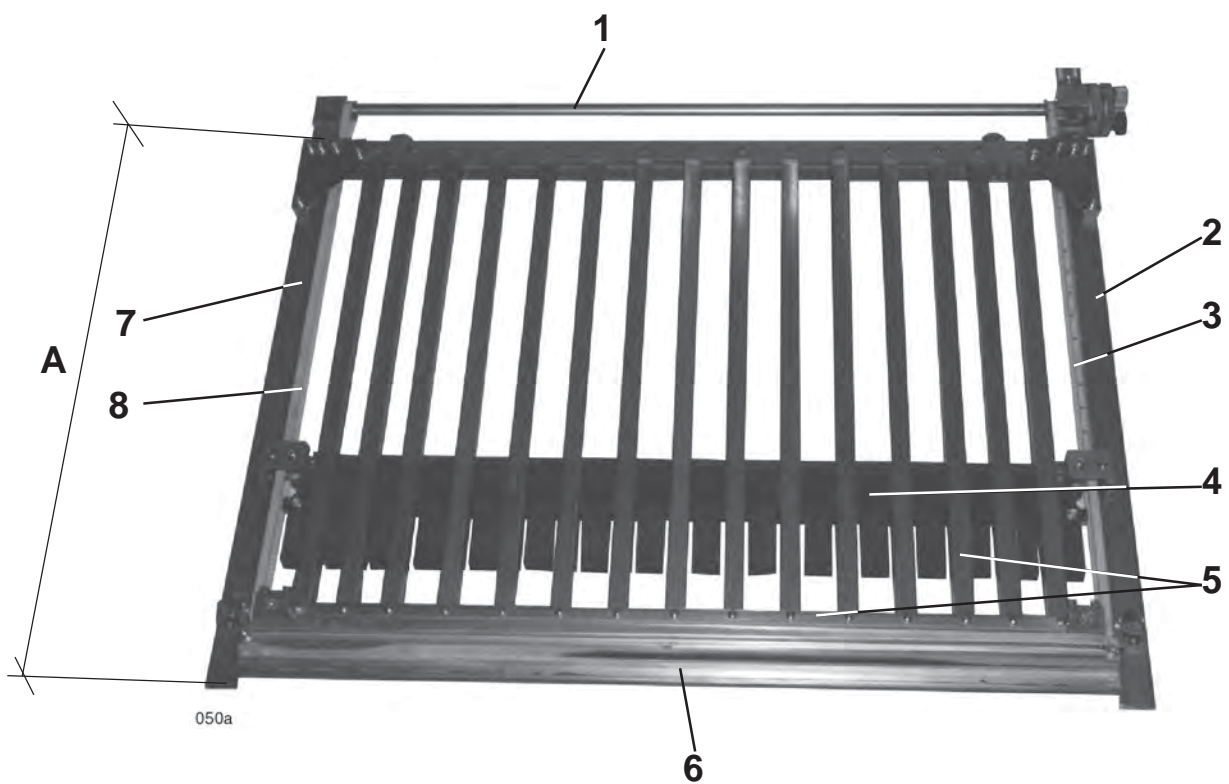
Buckle plates with swing deflectors parallel to 32 page unit

1756 ENG 4

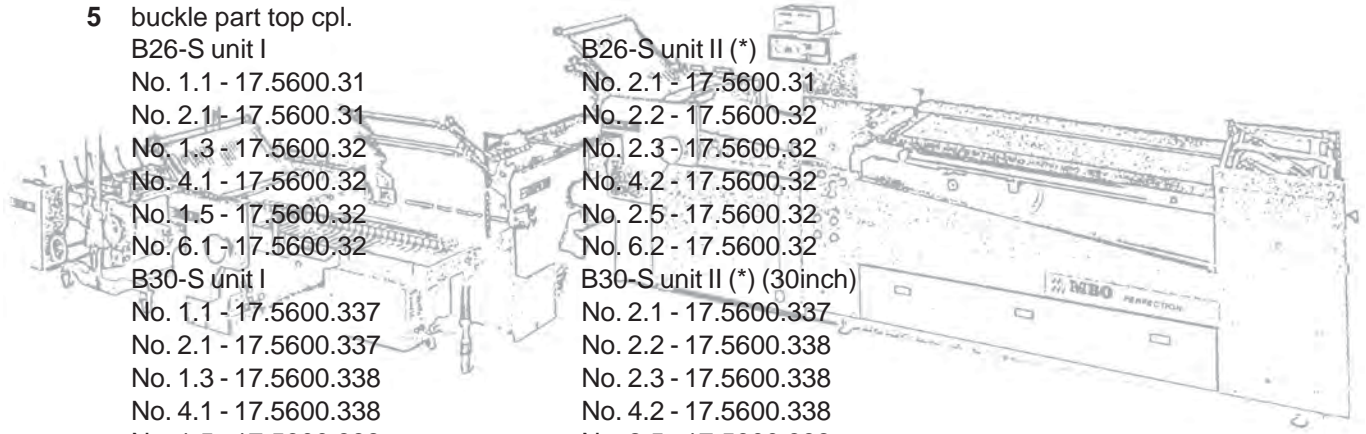


1	notched set pin	0092718.5	(B6x28 DIN1469)
2	circlips	0094185.5	(5 DIN6799)
3	tooth belt wheel	2.0.5636.020	
4	cylinder screw	0088856.5	(M6x30 DIN 912)
5	adjustment screw	50 370 040	
6	clamping piece	10.5644.01	
7	distance	2.0.5644.051	
8	bearing block	1.0.5615.010	
9	cylinder screw	0088724.5	(M5x35 DIN912)
10	holder	10.5644.06	
11	screw	0095448.5	(M6x25 DIN7991)
12	spring	0102835	(D191)
13	cylinder screw	0088666.5	(M5x16 DIN912)
14	screw	0095323.5	(M5x16 DIN7991)
15	nut	0090845.5	(M5 DIN934)
16	lever (picture)	1.0.5615.030	
	lever (opposite)	1.0.5615.020	
17	screw	0095422.5	(M6x20 DIN7991)
18	holder	17.5644.01	
19	nut	0090852.5	(M6 DIN934)
20	screw	0095463.5	(M6x35 DIN7991)
21	bolt	1.0.5625.010	
22	cylinder screw	0088641.5	(M5x10 DIN912)

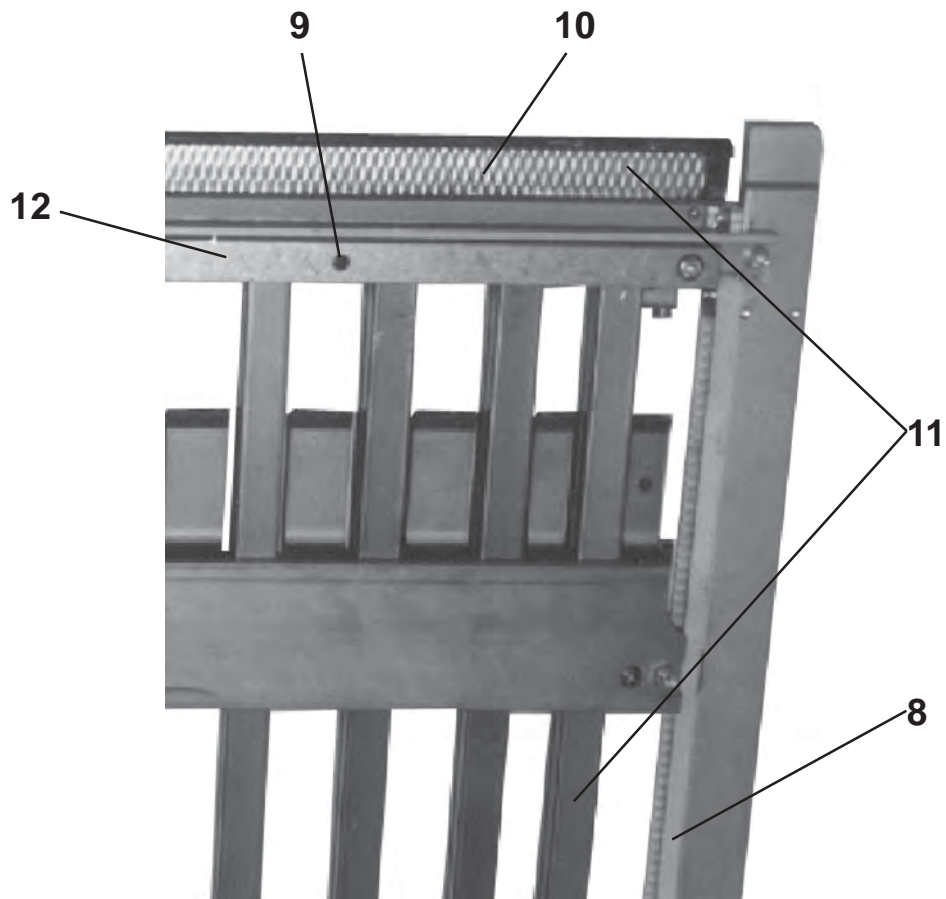




<p>1 bar</p>	<p>B26-S 17.5621.00 B30-S 17.5621.10</p>
<p>2 bar B26-S/B30-S unit I</p> <p>No. 1.1 (A=828) - 17.5641.04 No. 2.1 (A=828) - 17.5641.04 No. 1.3 (A=618) - 17.5641.06 No. 4.1 (A=618) - 17.5641.06 No. 1.5 (A=618) - 17.5641.06 No. 6.1 (A=618) - 17.5641.06</p>	<p>B26-S/B30-S unit II</p> <p>No. 2.1 (A=828) - 17.5641.04 No. 2.2 (A=618) - 17.5641.06 No. 2.3 (A=618) - 17.5641.06 No. 4.2 (A=618) - 17.5641.06 No. 2.5 (A=618) - 17.5641.06 No. 6.2 (A=618) - 17.5641.06</p>
<p>3 timing belt with scale „inch“ B26-S/B30-S unit I</p> <p>No. 1.1 - 10.5673.16 (1640 mm lg) No. 2.1 - 10.5673.17 (1640 mm lg) No. 1.3 - 10.5673.18 (1220 mm lg) No. 4.1 - 10.5673.19 (1220 mm lg) No. 1.5 - 10.5673.18 (1220 mm lg) No. 6.1 - 10.5673.19 (1220 mm lg)</p>	<p>B26-S/B30-S unit II</p> <p>No. 2.1 - 10.5673.16 (1640 mm lg) No. 2.2 - 10.5673.19 (1220 mm lg) No. 2.3 - 10.5673.18 (1220 mm lg) No. 4.2 - 10.5673.19 (1220 mm lg) No. 2.5 - 10.5673.18 (1220 mm lg) No. 6.2 - 10.5673.19 (1220 mm lg)</p>
<p>4 sheet stop</p>	<p>T700 17.5651.05 (*) T800.1 17.5651.60</p>
<p>5 buckle part top cpl. B26-S unit I</p> <p>No. 1.1 - 17.5600.31 No. 2.1 - 17.5600.31 No. 1.3 - 17.5600.32 No. 4.1 - 17.5600.32 No. 1.5 - 17.5600.32 No. 6.1 - 17.5600.32</p> <p>B30-S unit I</p> <p>No. 1.1 - 17.5600.337 No. 2.1 - 17.5600.337 No. 1.3 - 17.5600.338 No. 4.1 - 17.5600.338 No. 1.5 - 17.5600.338 No. 6.1 - 17.5600.338</p>	<p>B26-S unit II (*)</p> <p>No. 2.1 - 17.5600.31 No. 2.2 - 17.5600.32 No. 2.3 - 17.5600.32 No. 4.2 - 17.5600.32 No. 2.5 - 17.5600.32 No. 6.2 - 17.5600.32</p> <p>B30-S unit II (*) (30inch)</p> <p>No. 2.1 - 17.5600.337 No. 2.2 - 17.5600.338 No. 2.3 - 17.5600.338 No. 4.2 - 17.5600.338 No. 2.5 - 17.5600.338 No. 6.2 - 17.5600.338</p>
<p>6 top plate lip B26-S unit I</p> <p>No. 1.1 - 17.5651.00 No. 2.1 - 17.5651.00 No. 1.3 - 17.5651.01 No. 4.1 - 17.5651.01 No. 1.5 - 17.5651.01 No. 6.1 - 17.5651.01</p> <p>B30-S unit I</p> <p>No. 1.1 - 17.5651.63 No. 2.1 - 17.5651.64 No. 1.3 - 17.5651.64 No. 4.1 - 17.5651.64 No. 1.5 - 17.5651.64 No. 6.1 - 17.5651.64</p>	<p>B26-S unit II (*)</p> <p>No. 2.1 - 17.5651.01 No. 2.2 - 17.5651.01 No. 2.3 - 17.5651.01 No. 4.2 - 17.5651.01 No. 2.5 - 17.5651.01 No. 6.2 - 17.5651.01</p> <p>B30-S unit II (*) (30inch)</p> <p>No. 2.1 - 17.5651.64 No. 2.2 - 17.5651.64 No. 2.3 - 17.5651.64 No. 4.2 - 17.5651.64 No. 2.5 - 17.5651.64 No. 6.2 - 17.5651.64</p>



(*) also 8-page unit
B30-S with 26inch
max. sheet size

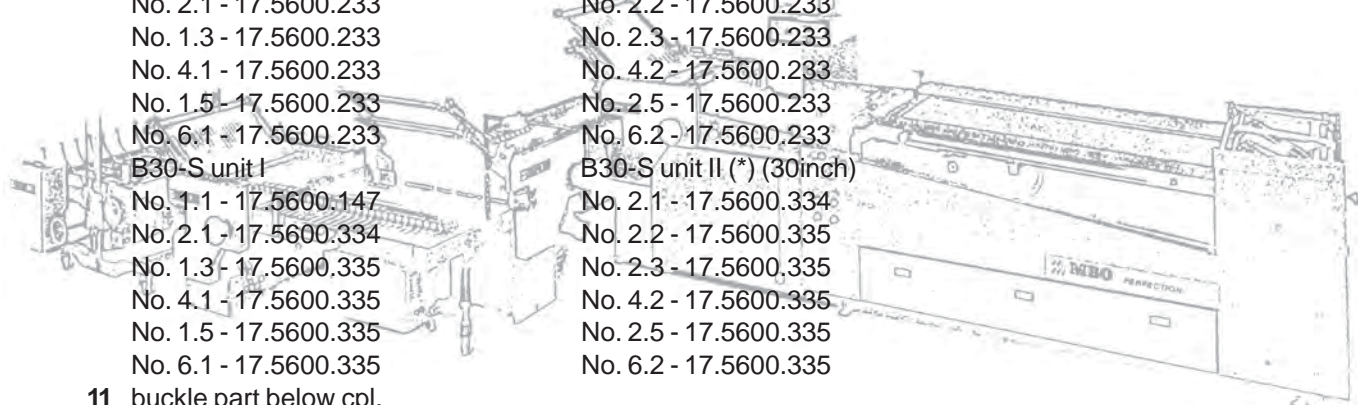


- | | |
|------------------------------|------------------------------|
| 7 bar | |
| B26-S/B30-S unit I | B26-S/B30-S unit II |
| No. 1.1 (A=828) - 17.5641.05 | No. 2.1 (A=828) - 17.5641.05 |
| No. 2.1 (A=828) - 17.5641.05 | No. 2.2 (A=618) - 17.5641.07 |
| No. 1.3 (A=618) - 17.5641.07 | No. 2.3 (A=618) - 17.5641.07 |
| No. 4.1 (A=618) - 17.5641.07 | No. 4.2 (A=618) - 17.5641.07 |
| No. 1.5 (A=618) - 17.5641.07 | No. 2.5 (A=618) - 17.5641.07 |
| No. 6.1 (A=618) - 17.5641.07 | No. 6.2 (A=618) - 17.5641.07 |

- | | |
|-----------------------------------|-----------------------------------|
| 8 timing belt | |
| without scale | |
| B26-S/B30-S unit I | B26-S/B30-S unit II |
| No. 1.1 - 10.5673.24 (1640 mm lg) | No. 2.1 - 10.5673.24 (1640 mm lg) |
| No. 2.1 - 10.5673.24 (1640 mm lg) | No. 2.2 - 10.5673.25 (1220 mm lg) |
| No. 1.3 - 10.5673.25 (1220 mm lg) | No. 2.3 - 10.5673.25 (1220 mm lg) |
| No. 4.1 - 10.5673.25 (1220 mm lg) | No. 4.2 - 10.5673.25 (1220 mm lg) |
| No. 1.5 - 10.5673.25 (1220 mm lg) | No. 2.5 - 10.5673.25 (1220 mm lg) |
| No. 6.1 - 10.5673.25 (1220 mm lg) | No. 6.2 - 10.5673.25 (1220 mm lg) |

- | | |
|----------------|--------------------------|
| 9 screw | 0089615.5 (M6x10 DIN913) |
|----------------|--------------------------|

- | | |
|---------------------------------|----------------------------|
| 10 bottom plate lip cpl. | |
| B26-S unit I | B26-S unit II (*) |
| No. 1.1 - 17.5600.45 | No. 2.1 - 17.5600.45 |
| No. 2.1 - 17.5600.233 | No. 2.2 - 17.5600.233 |
| No. 1.3 - 17.5600.233 | No. 2.3 - 17.5600.233 |
| No. 4.1 - 17.5600.233 | No. 4.2 - 17.5600.233 |
| No. 1.5 - 17.5600.233 | No. 2.5 - 17.5600.233 |
| No. 6.1 - 17.5600.233 | No. 6.2 - 17.5600.233 |
| B30-S unit I | B30-S unit II (*) (30inch) |
| No. 1.1 - 17.5600.147 | No. 2.1 - 17.5600.334 |
| No. 2.1 - 17.5600.334 | No. 2.2 - 17.5600.335 |
| No. 1.3 - 17.5600.335 | No. 2.3 - 17.5600.335 |
| No. 4.1 - 17.5600.335 | No. 4.2 - 17.5600.335 |
| No. 1.5 - 17.5600.335 | No. 2.5 - 17.5600.335 |
| No. 6.1 - 17.5600.335 | No. 6.2 - 17.5600.335 |



- | | |
|----------------------------------|----------------------------|
| 11 buckle part below cpl. | |
| B26-S unit I | B26-S unit II (*) |
| No. 1.1 - 17.5600.38 | No. 2.1 - 17.5600.38 |
| No. 2.1 - 17.5600.237 | No. 2.2 - 17.5600.39 |
| No. 1.3 - 17.5600.39 | No. 2.3 - 17.5600.39 |
| No. 4.1 - 17.5600.39 | No. 4.2 - 17.5600.39 |
| No. 1.5 - 17.5600.39 | No. 2.5 - 17.5600.39 |
| No. 6.1 - 17.5600.39 | No. 6.2 - 17.5600.39 |
| B30-S unit I | B30-S unit II (*) (30inch) |
| No. 1.1 - 17.5600.328 | No. 2.1 - 17.5600.328 |
| No. 2.1 - 17.5600.329 | No. 2.2 - 17.5600.330 |
| No. 1.3 - 17.5600.330 | No. 2.3 - 17.5600.330 |
| No. 4.1 - 17.5600.330 | No. 4.2 - 17.5600.330 |
| No. 1.5 - 17.5600.330 | No. 2.5 - 17.5600.330 |
| No. 6.1 - 17.5600.330 | No. 6.2 - 17.5600.330 |

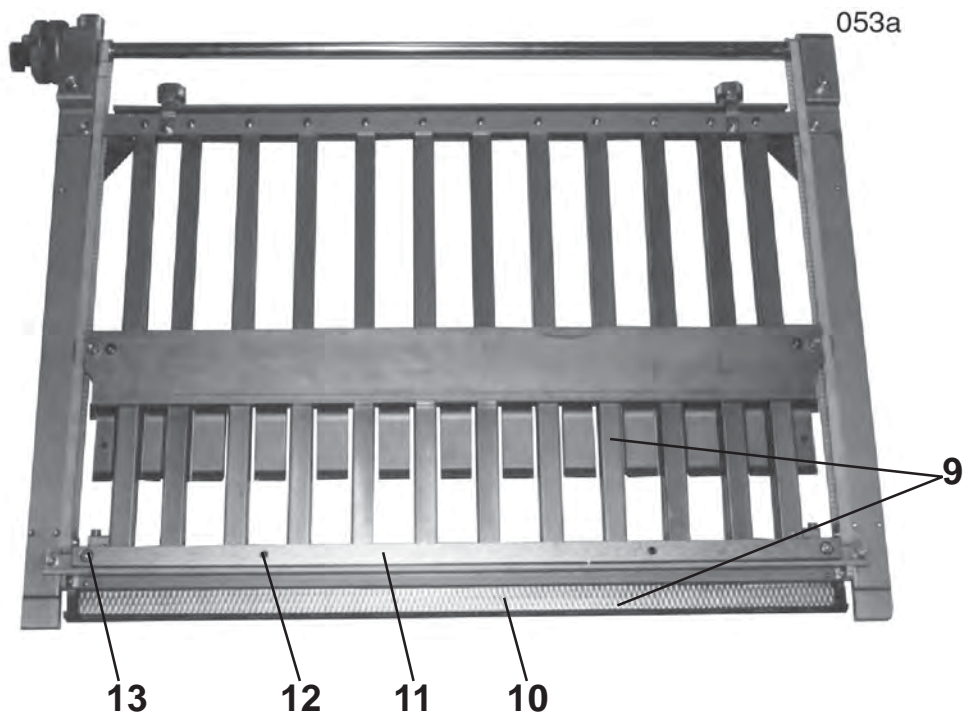
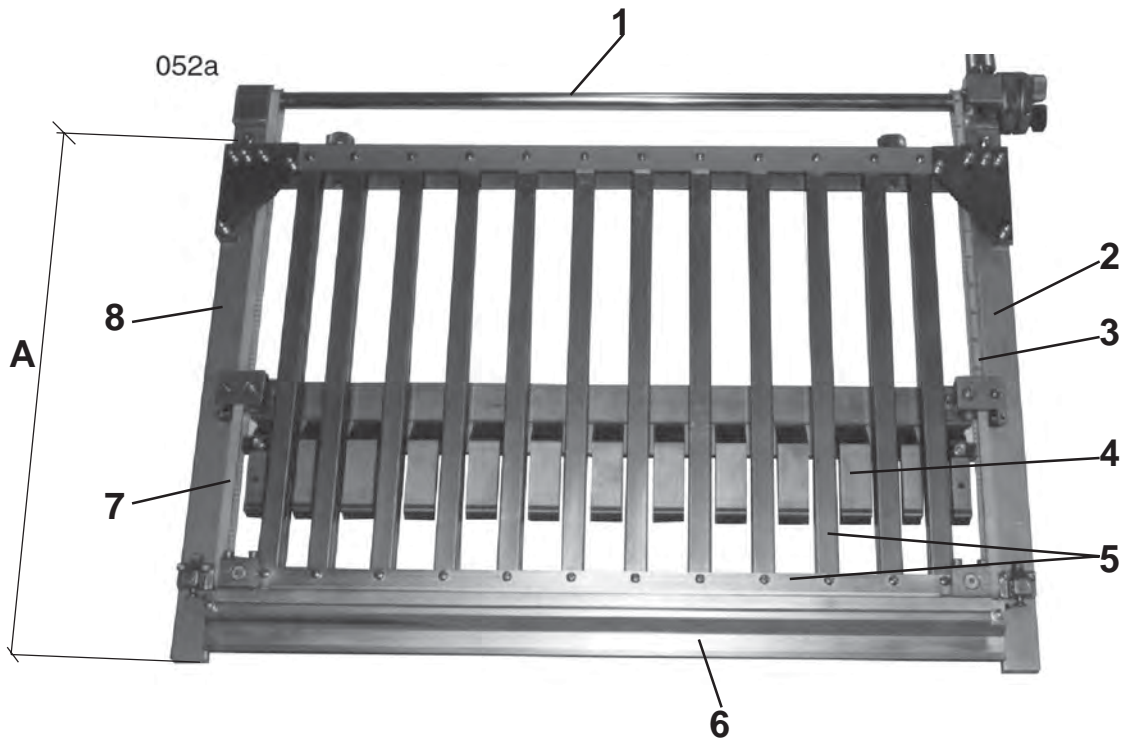
- | | | |
|---------------------------|-------|----------------|
| 12 reinforcing bar | B26-S | 17.5641.00 (*) |
| | B30-S | 17.5641.16 |

(*) also 8-page unit
T800.1 with 68cm.
max. sheet size

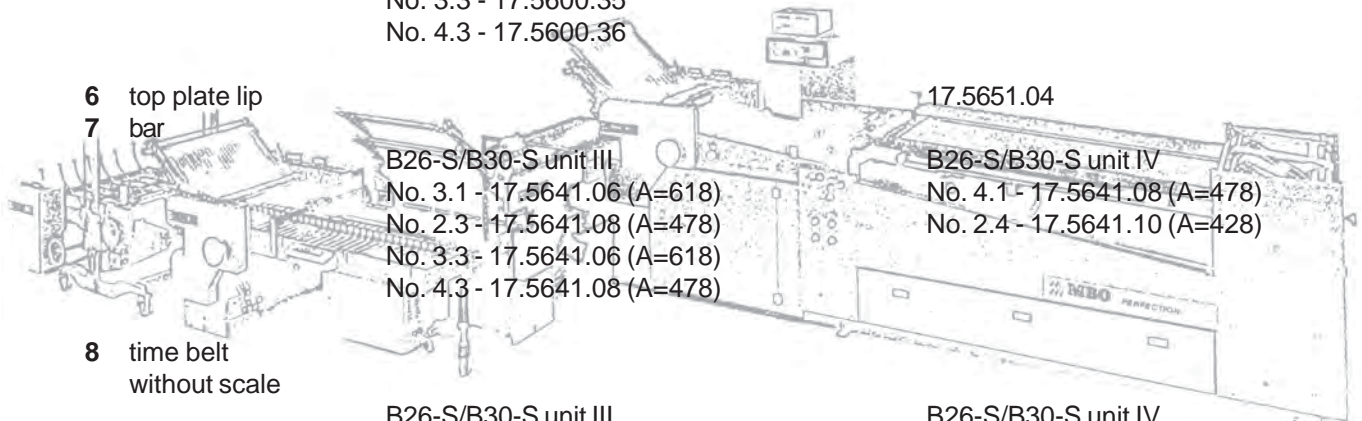
B26-S/B30-S

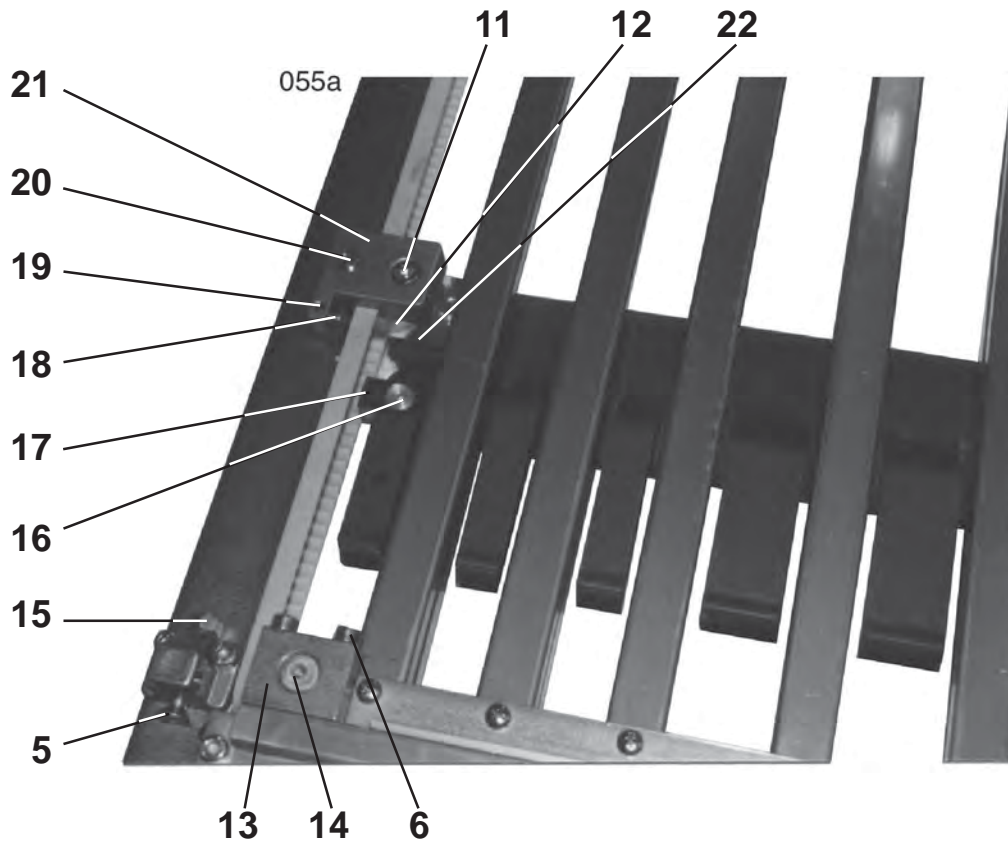
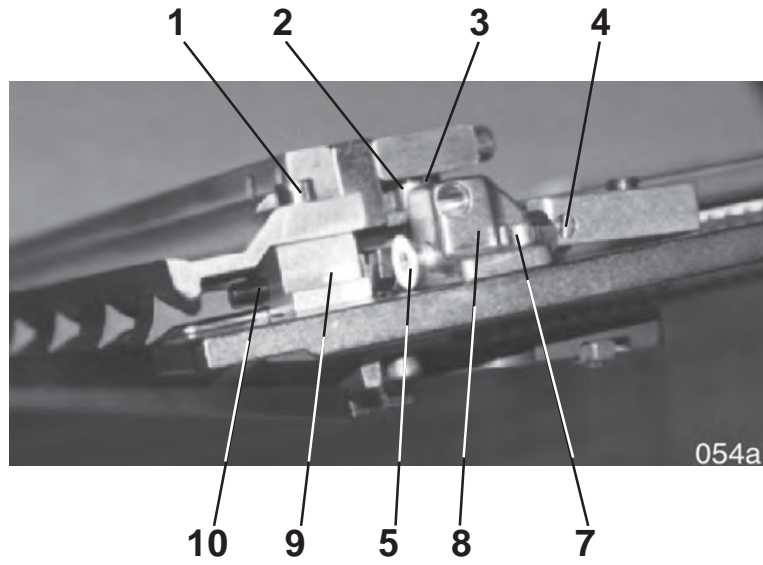
Combi - buckle plates 16 page and 32 page unit

1756 ENG 7

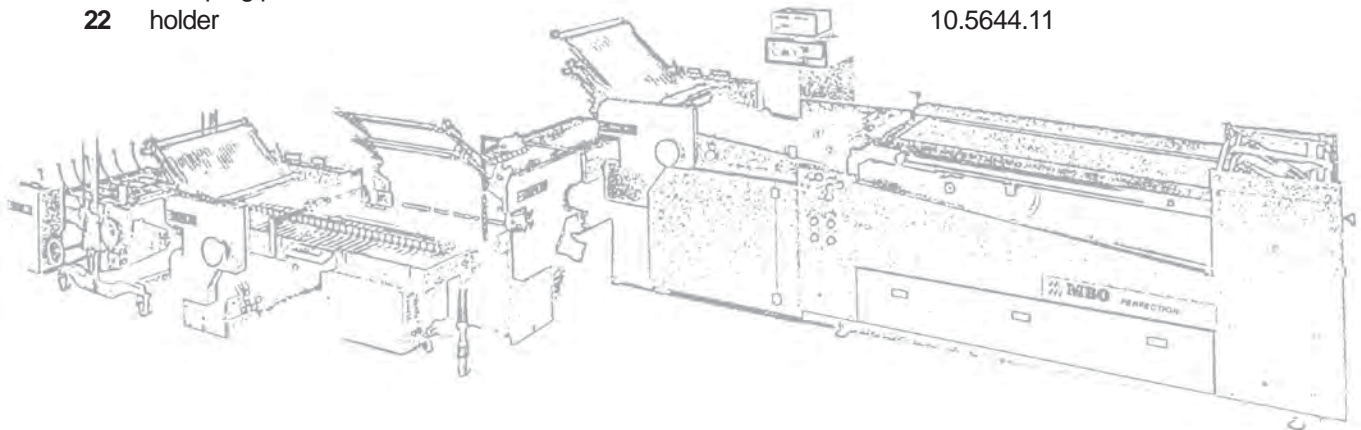


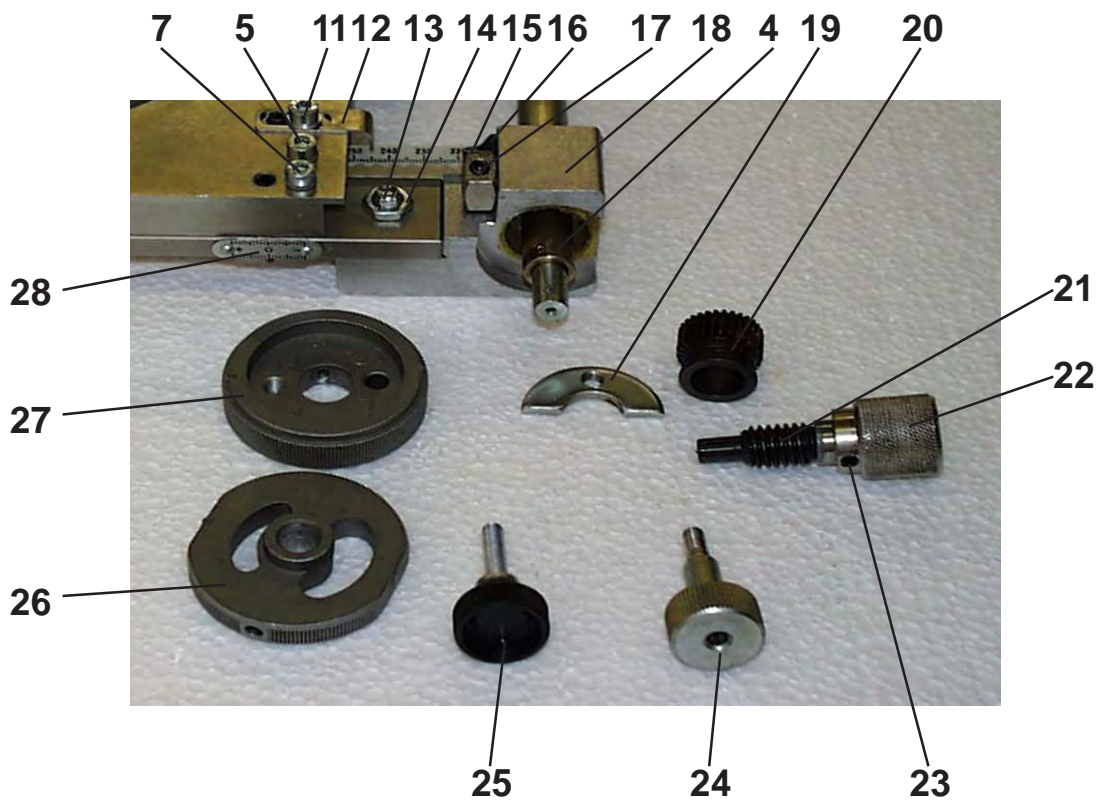
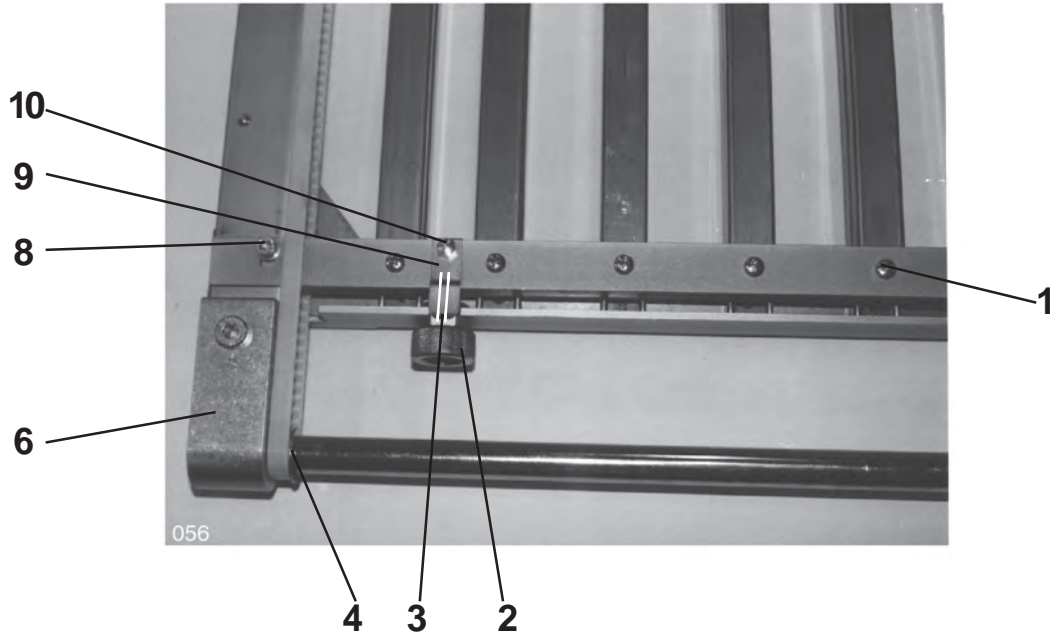
1	bar		10.5621.04
2	bar	B26-S/B30-S unit III No. 3.1 - 17.5641.07 (A=618) No. 2.3 - 17.5641.09 (A=478) No. 3.3 - 17.5641.07 (A=618) No. 4.3 - 17.5641.09 (A=478)	B26-S/B30-S unit IV No. 4.1 - 17.5641.09 (A=478) No. 2.4 - 17.5641.11 (A=428)
3	timing belt with „inch“ scale	B26-S/B30-S unit III No. 3.1 - 10.5673.18 (1220 mm lg) No. 2.3 - 10.5673.26 (940 mm lg) No. 3.3 - 10.5673.18 (1220 mm lg) No. 4.3 - 10.5673.26 (940 mm lg)	B26-S/B30-S unit IV No. 4.1 - 10.5673.18 (940 mm lg) No. 2.4 - 17.5673.02 (840 mm lg)
4	sheet stop		10.5651.45
5	buckle part top	B26-S/B30-S unit III No. 3.1 - 17.5600.35 No. 2.3 - 17.5600.36 No. 3.3 - 17.5600.35 No. 4.3 - 17.5600.36	B26-S/B30-S unit IV No. 4.1 - 10.5600.35 No. 2.4 - 17.5600.37
6	top plate lip		17.5651.04
7	bar	B26-S/B30-S unit III No. 3.1 - 17.5641.06 (A=618) No. 2.3 - 17.5641.08 (A=478) No. 3.3 - 17.5641.06 (A=618) No. 4.3 - 17.5641.08 (A=478)	B26-S/B30-S unit IV No. 4.1 - 17.5641.08 (A=478) No. 2.4 - 17.5641.10 (A=428)
8	time belt without scale	B26-S/B30-S unit III No. 3.1 - 10.5673.25 (1220 mm lg) No. 2.3 - 10.5673.28 (940 mm lg) No. 3.3 - 10.5673.25 (1220 mm lg) No. 4.3 - 10.5673.28 (940 mm lg)	B26-S/B30-S unit IV No. 4.1 - 10.5673.25 (940 mm lg) No. 2.4 - 17.5673.18 (840 mm lg)
9	buckle part below cpl.	B26-S/B30-S unit III No. 3.1 - 17.5600.42 No. 2.3 - 17.5600.43 No. 3.3 - 17.5600.42 No. 4.3 - 17.5600.43	B26-S/B30-S unit IV No. 4.1 - 17.5600.42 No. 2.4 - 17.5600.44
10	bottom plate lip cpl.	B26-S/B30-S unit III No. 3.1 - 17.5600.236 No. 2.3 - 17.5600.236 No. 3.3 - 17.5600.236 No. 4.3 - 17.5600.236	B26-S/B30-S unit IV No. 4.1 - 17.5600.236 No. 2.4 - 17.5600.236
11	reinforcing bar		17.5641.02
12	screw		0089615.5 (M6x10 DIN913)
13	cylinder screw		0088666.5





1	cylinder screw	0088666.5	(M5x16 DIN912)
2	spring	0102835	(D191)
3	distance ring	10.5628.00	
4	excenter bolt	10.5625.03	
5	screw	0095463.5	(M6x35 DIN7991)
6	cylinder screw	0088724.5	(M5x35 DIN912)
7	cylinder screw	0088641.5	(M5x10 DIN912)
8	bearing block	1.0.5615.010	
9	holder	17.5644.00	
10	screw	0089578	(M5x30 DIN913)
11	cylinder screw	0094752.5	(M6x35 DIN6912)
12	distance ring	2.0.5644.051	
13	holder	10.5644.06	
14	screw	0095430.5	(M6x22 DIN7991)
15	nut	0090852.5	(M6 DIN934)
16	screw	0095299.5	(M5x10 DIN7991)
17	bar	10.5644.24	
18	ball bearing	00109542	(624 - 27 DIN625)
19	screw	0089474.5	(M4x4 DIN913)
20	screw	0089673	(M8x8 DIN913 MS)
21	clamping piece	10.5644.27	
22	holder	10.5644.11	



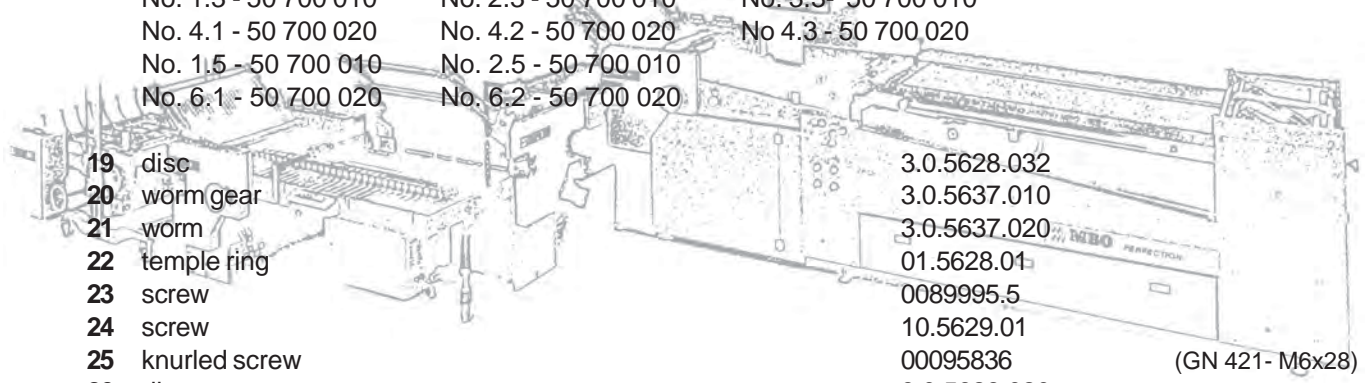


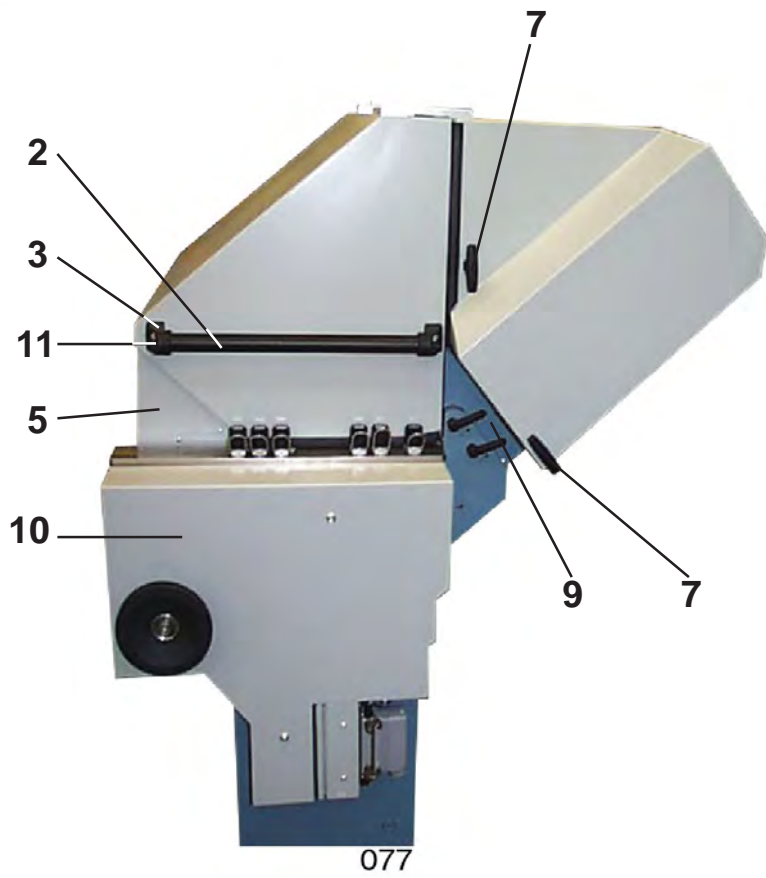
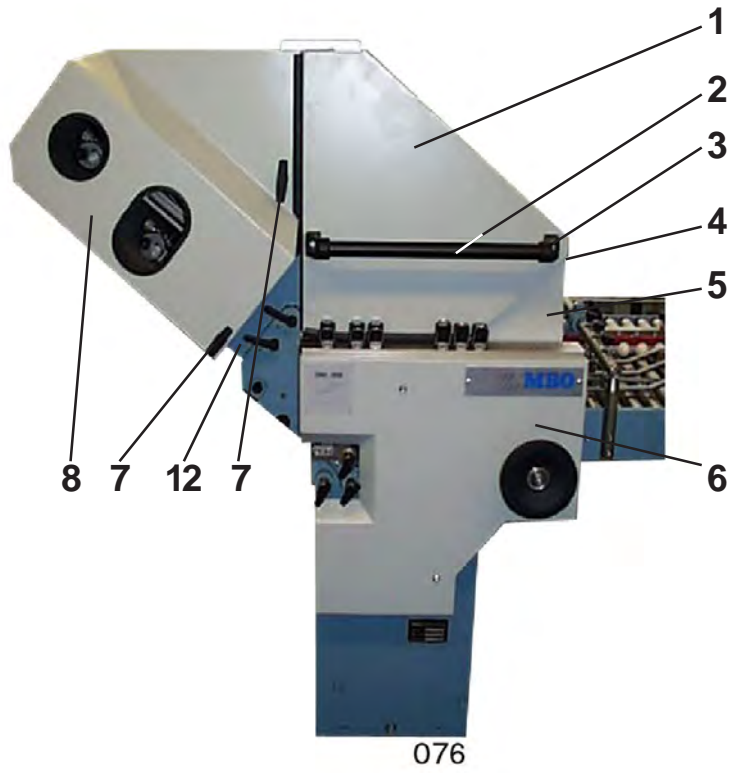
B26-S/B30-S

All buckle plates parallel to 32 page unit

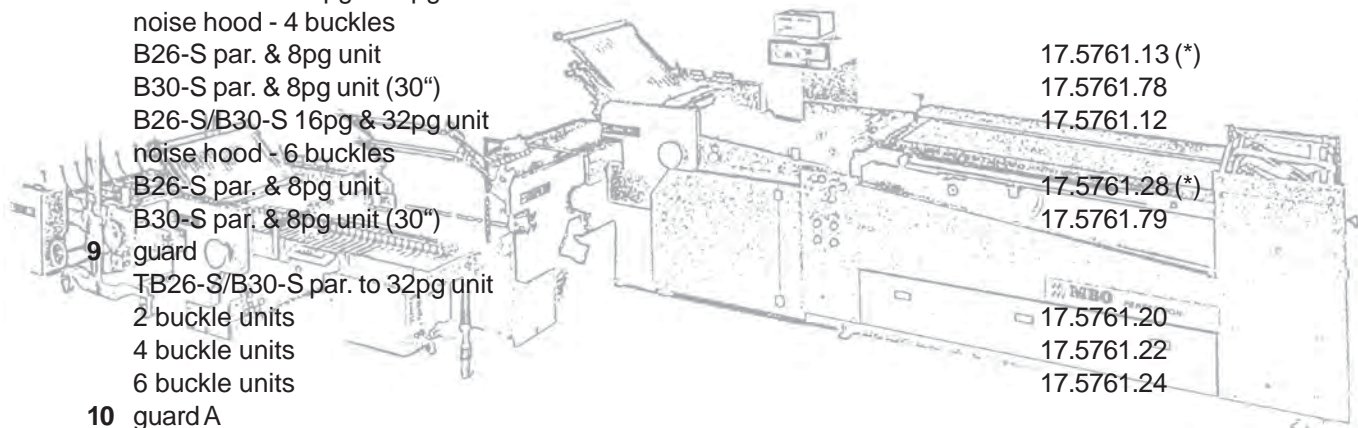
1756 ENG 9

1	cutting screw		00095174	(AM4xx8 DIN 7516)
2	handle		14.5600.00	
3	screw		0089656.5	(M6x30 DIN913)
4	tooth belt wheel		5.0.5636.010	
5	cylinder screw		0088633.5	(M5x8 DIN912)
6	bearing block		2.0.5644.030	
7	cylinder screw		0088708.5	(M5x25 DIN912)
8	cylinder screw		0088633.5	(M5x8 DIN912)
9	flat spring		50 480 151	
10	cylinder screw		0085761.5	(M4x6 DIN84)
11	cylinder screw		0088633.5	(M5x8 DIN912)
12	indicator		10.5685.00	
13	cylinder screw		0094805.5	(M8x25 DIN6912)
14	nut		0086876.5	(BM8 DIN 435)
15	collar		3.0.5628.060	
16	flat spring		3.0.5686.010	
17	screw		0089995.5	(M5x6 DIN916)
18	bearing block			
	B26-S/B30-S	B26-S/B30-S	B26-S/B30-S	B26-S/B30-S
	par. unit	8page unit	16page unit	32page unit
	No. 1.1 - 50 700 010	No. 2.1 - 50 700 010	No. 3.1 - 50 700 010	No. 4.1 - 50 700 010
	No. 2.1 - 50 700 020	No. 2.2 - 50 700 010	No. 2.3 - 50 700 020	No. 2.4 - 50 700 020
	No. 1.3 - 50 700 010	No. 2.3 - 50 700 010	No. 3.3 - 50 700 010	
	No. 4.1 - 50 700 020	No. 4.2 - 50 700 020	No. 4.3 - 50 700 020	
	No. 1.5 - 50 700 010	No. 2.5 - 50 700 010		
	No. 6.1 - 50 700 020	No. 6.2 - 50 700 020		
19	disc		3.0.5628.032	
20	worm gear		3.0.5637.010	
21	worm		3.0.5637.020	
22	temple ring		01.5628.01	
23	screw		0089995.5	
24	screw		10.5629.01	
25	knurled screw		00095836	(GN 421- M6x28)
26	disc		3.0.5628.020	
27	disc		3.0.5628.010	
28	scale		50 670 010	

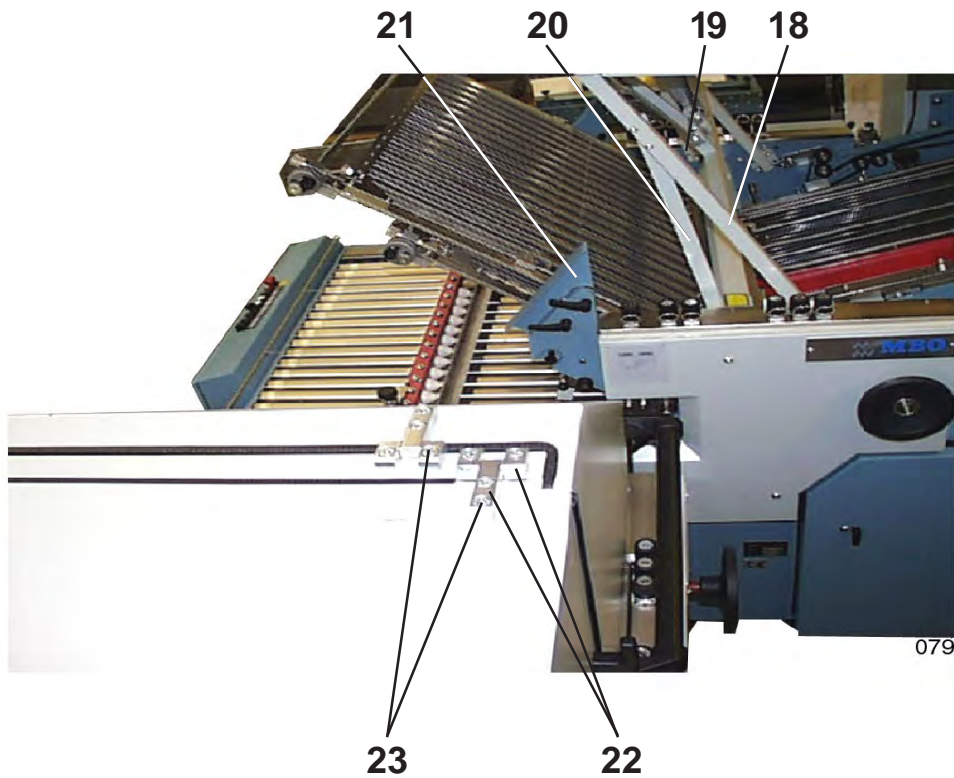
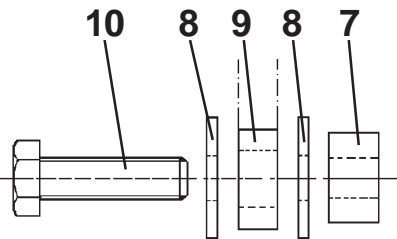
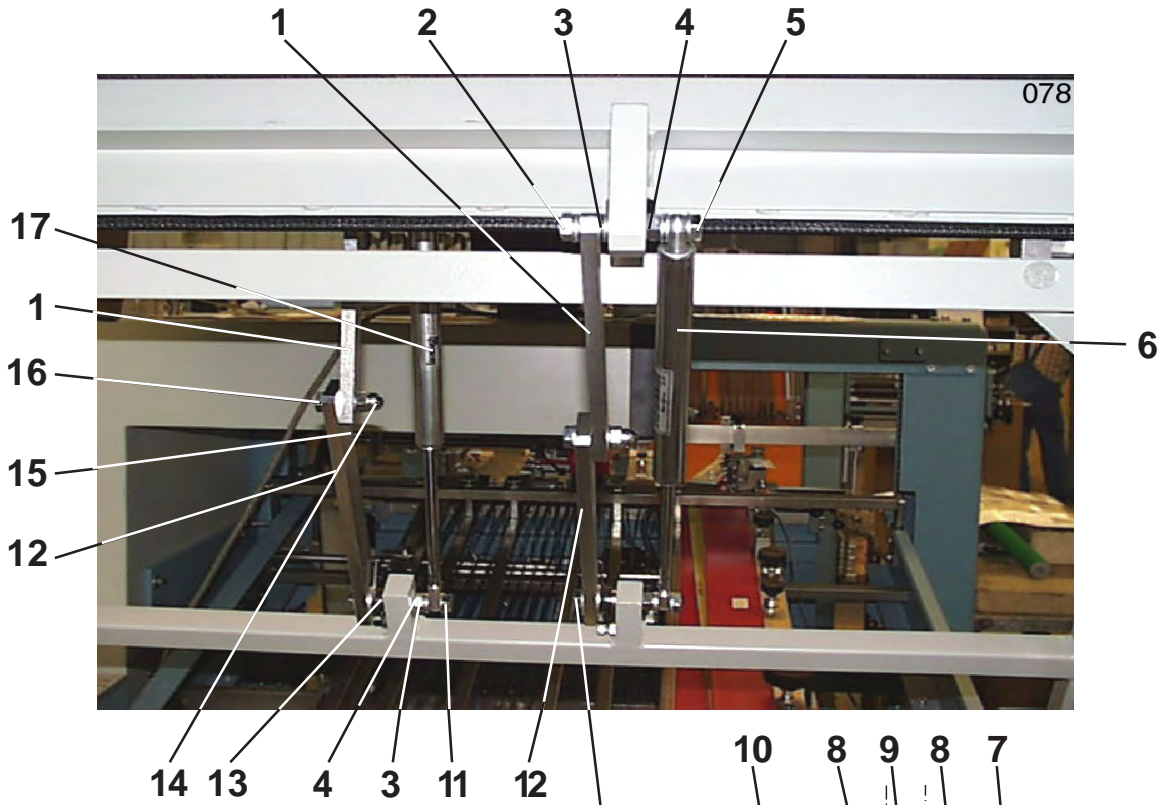




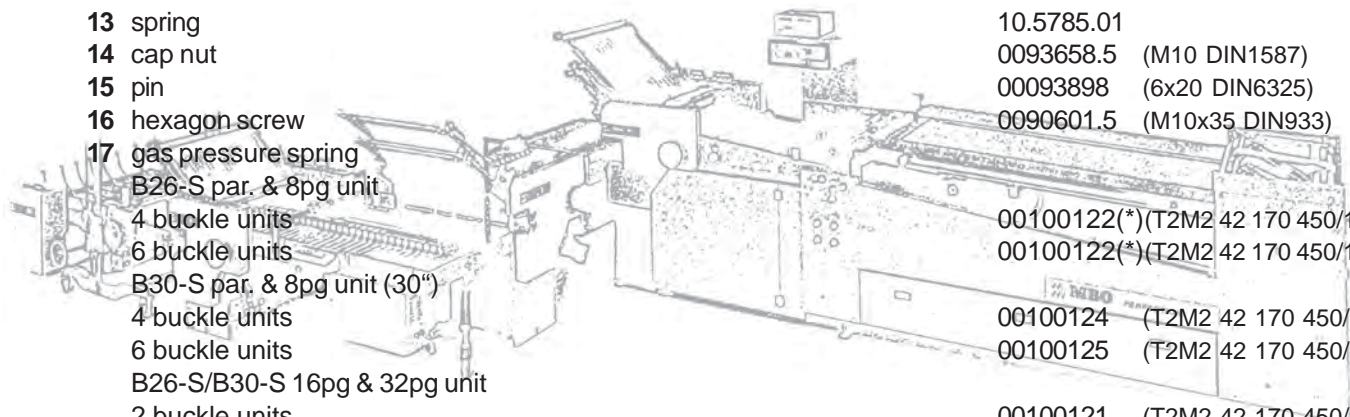
1	noise hood infeed B26-S par. & 8pg unit B30-S par. & 8pg unit (30") B26-S/B30-S 16pg & 32pg unit	17.5761.10 (*) 17.5761.77 17.5761.09
2	grip	00100248 (1095-08)
3	plastic holder	00100230 (1095-07)
4	hinge	00101614 (C191)
5	flap B26-S par. & 8pg unit 4+6 buckles B26-S par. & 8pg unit 4+6 buckles B30-S par. unit 4+6 buckles B30-S 8pg unit 4+6 buckles B26-S/B30-S 16pg & 32pg unit	17.5761.16 (*) 17.5761.15 17.5761.30
6	guard B B26-S/B30-S par. to 32pg unit 2 buckle units 4 buckle units 6 buckle units	 17.5161.13 17.5161.15 17.5161.07
7	T-grip	00100260 (GN563-55-M8)
8	noise hood - 2 buckles B26-S/B30-S 16pg & 32pg unit noise hood - 4 buckles B26-S par. & 8pg unit B30-S par. & 8pg unit (30") B26-S/B30-S 16pg & 32pg unit noise hood - 6 buckles B26-S par. & 8pg unit B30-S par. & 8pg unit (30")	17.5761.27 17.5761.13 (*) 17.5761.78 17.5761.12 17.5761.28 (*) 17.5761.79
9	guard TB26-S/B30-S par. to 32pg unit 2 buckle units 4 buckle units 6 buckle units	 17.5761.20 17.5761.22 17.5761.24
10	guard A B26-S/B30-S par. to 32pg unit 2 buckle units 4 buckle units 6 buckle units	 17.5161.13 17.5161.15 17.5161.07
11	hexagon screw disc nut	0090498.5 (M8x22 DIN933) 0086124.5 (B8,4 DIN125) 0090878.5 M8 DIN934)
12	guard B26-S/B30-S par. to 32pg unit 2 buckle units 4 buckle units 6 buckle units	 17.5761.19 17.5761.21 17.5761.23



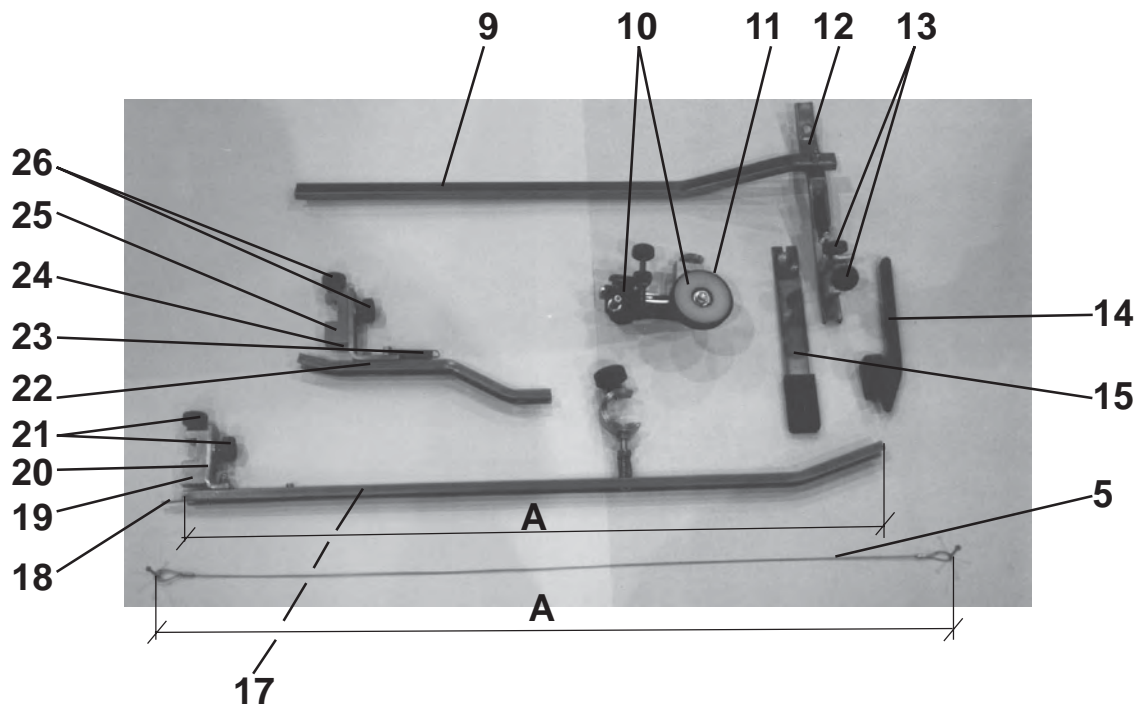
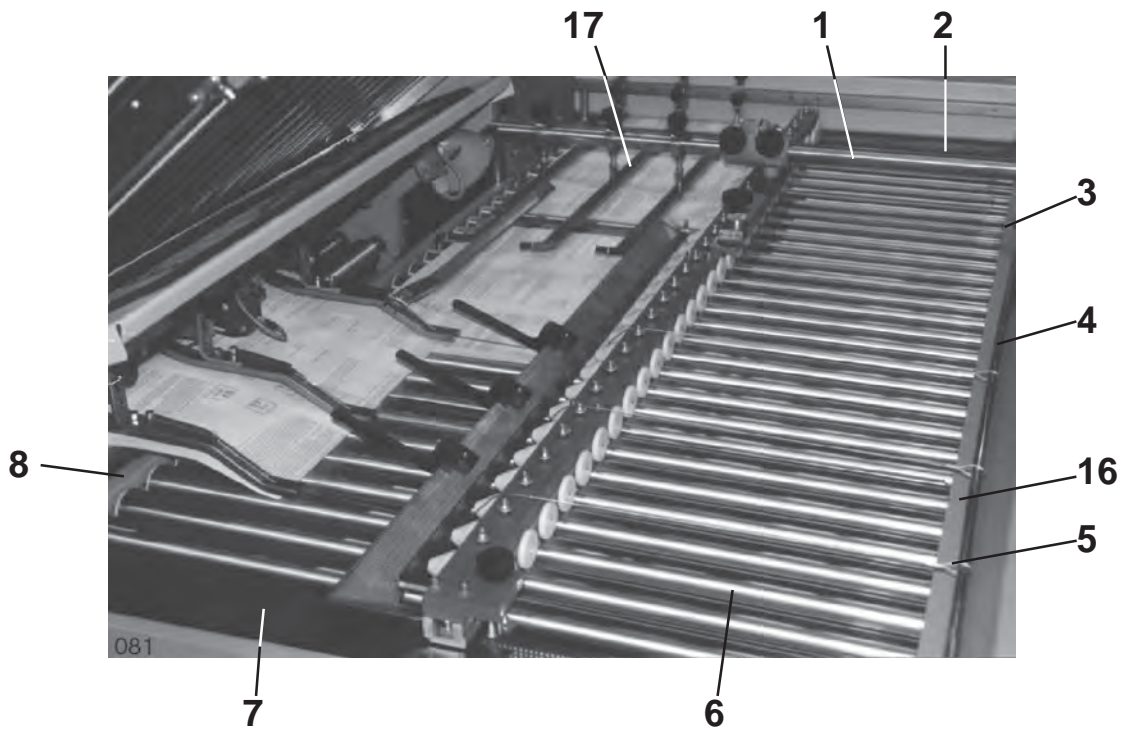
(*) also 8-page unit
B30-S with 26 inch
max. sheet size



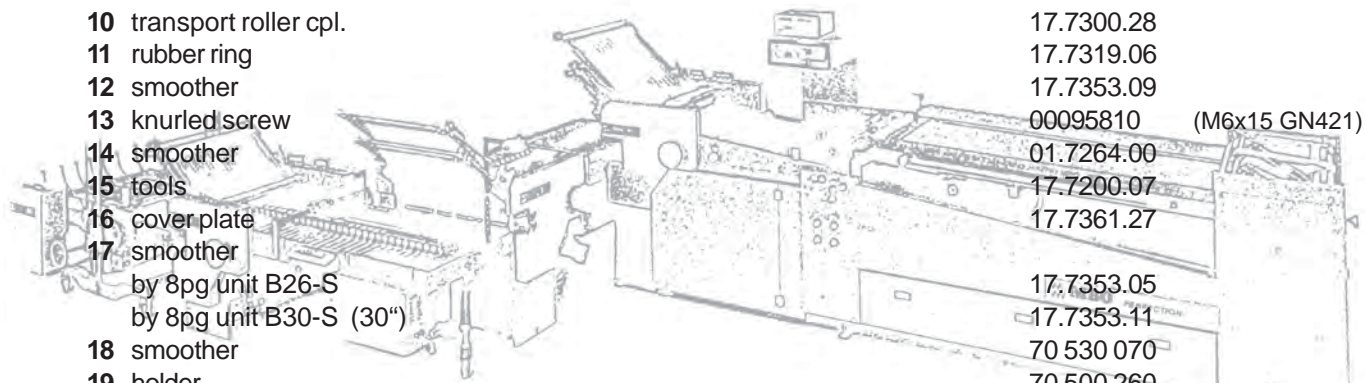
1	bar	17.5744.04
2	hexagon screw	0090586.5 (M10x25 DIN933)
3	disc	0086132.5 (B10,5 DIN125)
4	nut	0090894.5 (M10 DIN934)
5	hexagon screw	0090601.5 M10x35 DIN933)
6	gas pressure spring B26-S par. & 8pg unit	
	4 buckle units	00100124(*) (T2M2 42 170 450/1100N)
	6 buckle units	00100125(*) (T2M2 42 170 450/1150N)
	B30-S par. & 8pg unit (30")	
	4 buckle units	00100125 (T2M2 42 170 450/1150N)
	6 buckle units	00100126 (T2M2 42 170 450/1200N)
	B26-S/B30-S 16pg & 32pg unit	
	2 buckle units	00100122 (T2M2 42 170 450/1000N)
	4 buckle units	00100124 (T2M2 42 170 450/1100N)
7	distance ring	35.5728.02
8	disc	0095687.5 (10,5 DIN9021)
9	rubber spring	10.5719.02
10	hexagon screw	0090601.5 (M10x35 DIN933)
11	hexagon screw	0090586.5 (M10x25 DIN933)
12	bar	17.5744.05
13	spring	10.5785.01
14	cap nut	0093658.5 (M10 DIN1587)
15	pin	00093898 (6x20 DIN6325)
16	hexagon screw	0090601.5 (M10x35 DIN933)
17	gas pressure spring B26-S par. & 8pg unit	
	4 buckle units	00100122(*) (T2M2 42 170 450/1000N)
	6 buckle units	00100122(*) (T2M2 42 170 450/1000N)
	B30-S par. & 8pg unit (30")	
	4 buckle units	00100124 (T2M2 42 170 450/1100N)
	6 buckle units	00100125 (T2M2 42 170 450/1150N)
	B26-S/B30-S 16pg & 32pg unit	
	2 buckle units	00100121 (T2M2 42 170 450/950N)
	4 buckle units	00100121 (T2M2 42 170 450/950N)
18	holder	
	B26-S par. & 8pg unit	17.5764.04 (*)
	B30-S par. & 8pg unit (30")	17.5764.15 (*)
	B26-S/B30-S 16pg & 32pg unit	17.5764.03
19	holder right	17.5741.00
20	holder left	17.5741.01
21	guard	
	B26-S/B30-S 16pg & 32pg unit	
	2 buckle units	17.5761.19
	4 buckle units	17.5761.21
	6 buckle units	17.5761.23
22	hinge	00101613 (1039-U15)
23	hexagon screw	0089003.5 (M8x25 DIN912)



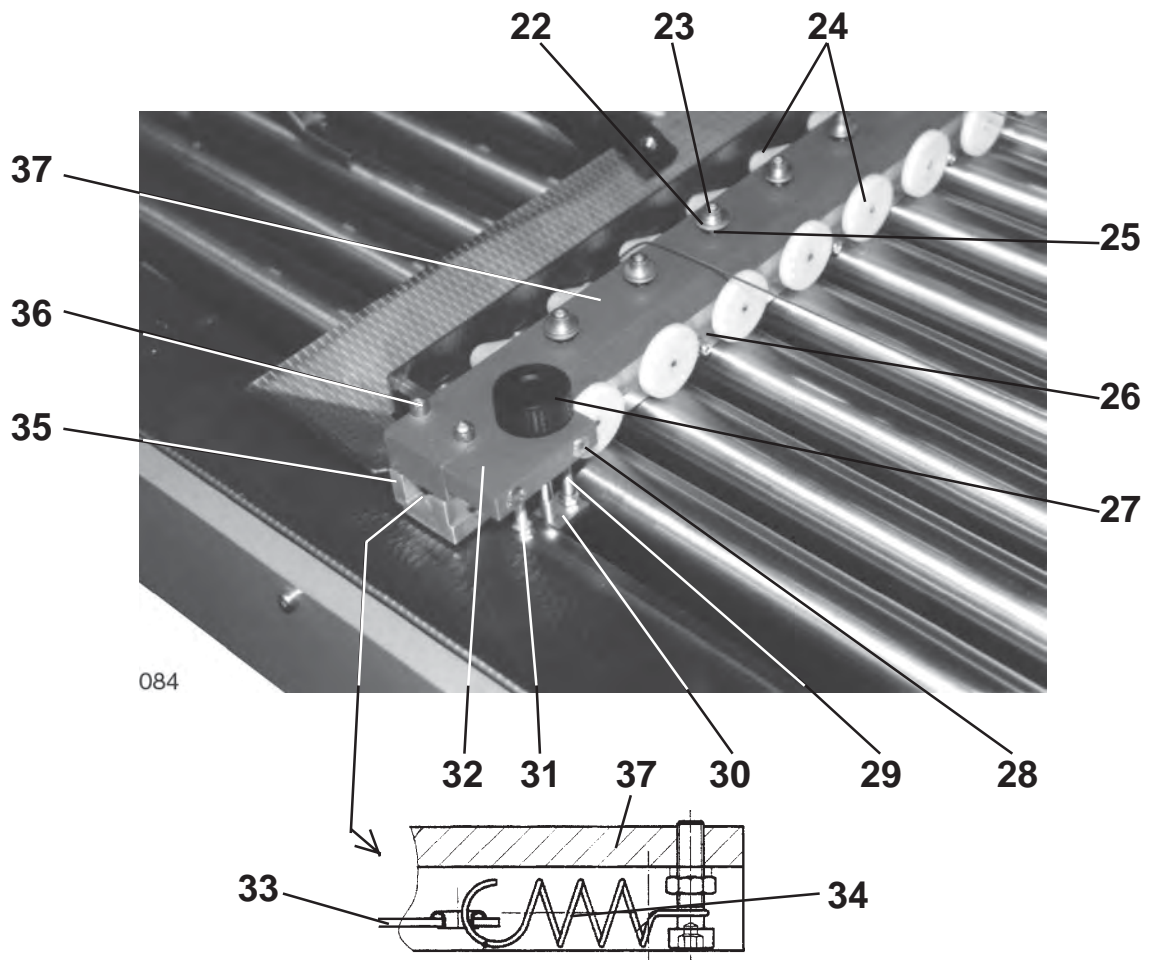
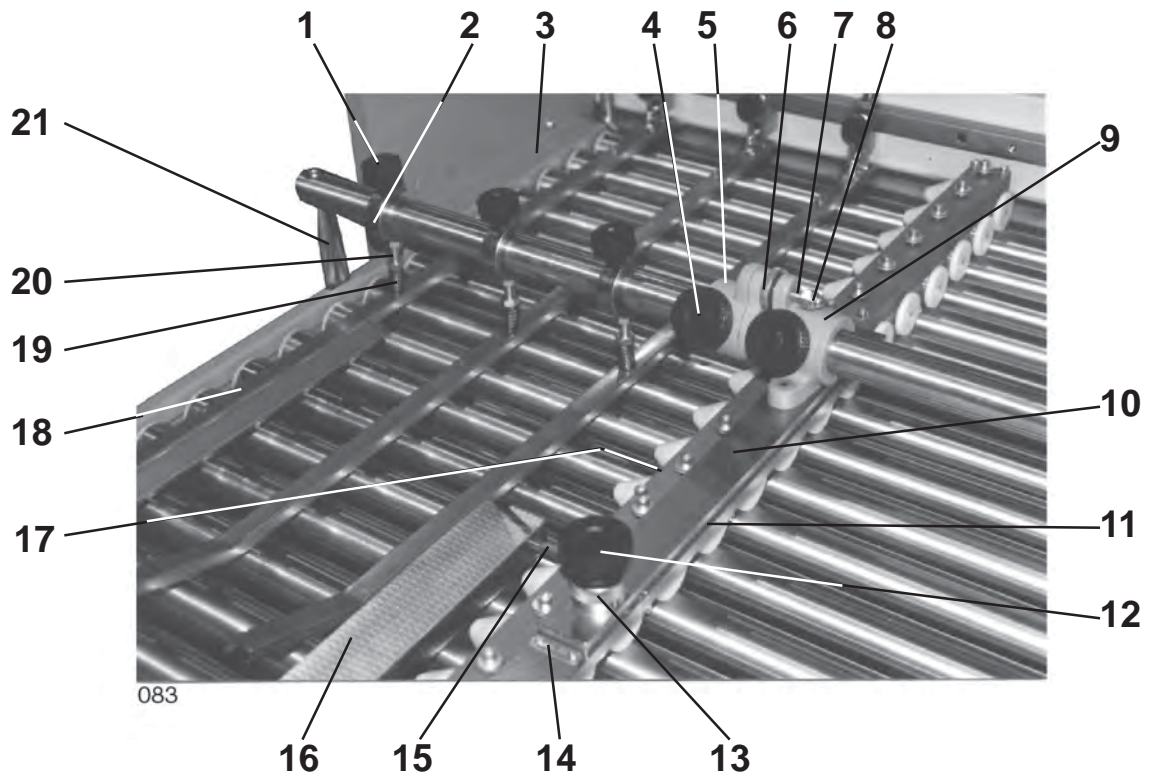
(*) also 8-page unit
B30-S with 26 inch
max. Sheet size



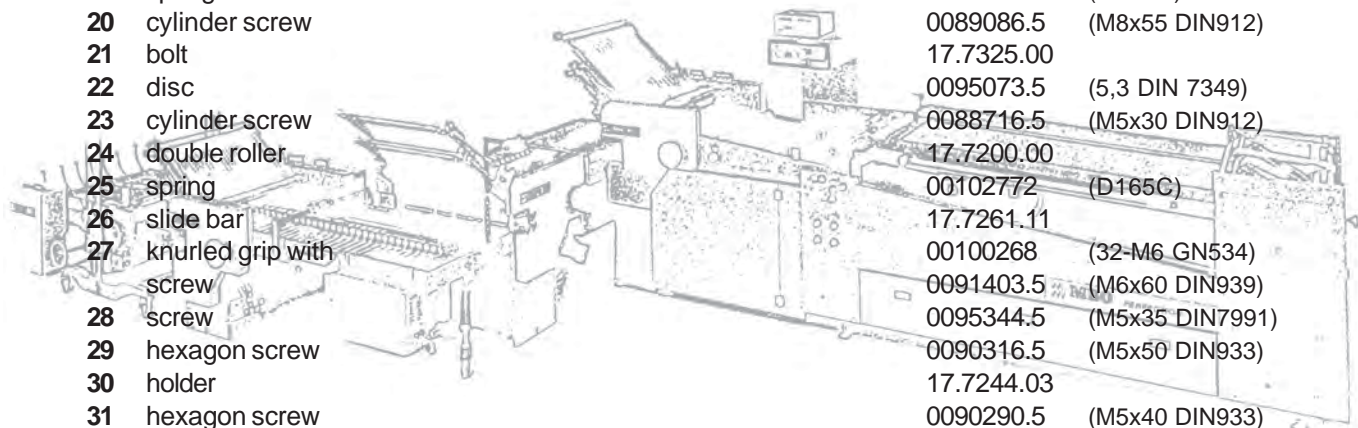
1	bar		
	B26-S 8pg unit	17.7321.02 (*)	
	B30-S 8pg unit (30")	17.7321.020	
2	infeed plate		
	B26-S 8pg unit	17.5161.10 (*)	
	B30-S 8pg unit (30")	17.5161.050/49	
3	cover plate	17.7361.25	
4	bar	17.7321.08	
5	smoother rope		
	B26-S 8pg unit	17.7300.17 (*) (A=730mm)	
	B30-S 8pg unit (30")	17.7300.35 (A=870mm)	
6	cross carrier roller cpl.		
	B26-S 8pg unit	17.7400.01 (*)	
	B30-S 8pg unit (30")	17.7400.009	
7	infeed plate		
	B26-S 8pg unit	17.7361.12 (*)	
	B30-S 8pg unit (30")	17.7361.079	
8	smoother plate		
	B26-S 8pg unit	17.7361.34 (*)	
	B30-S 8pg unit (30")	17.7361.35	
9	smoother	17.7353.07	
10	transport roller cpl.	17.7300.28	
11	rubber ring	17.7319.06	
12	smoother	17.7353.09	
13	knurled screw	00095810	(M6x15 GN421)
14	smoother	01.7264.00	
15	tools	17.7200.07	
16	cover plate	17.7361.27	
17	smoother		
	by 8pg unit B26-S	17.7353.05	
	by 8pg unit B30-S (30")	17.7353.11	
18	smoother	70 530 070	
19	holder	70 500 260	
20	bar	17.7353.08	
21	knurled screw	00095810	(M6x15 GN421)
22	smoother	17.7353.07	
23	spring	00102640	(Z-089)
24	holder	35.6953.01	
25	holder	17.7315.00	
26	knurled screw	00095810	(M6x15 GN421)
	Pos 9 + 12 + 13		
	smoother cpl.	17.7300.13	
	Pos. 17-21		
	smoother cpl.		
	by 8pg unit B26-S	17.7300.09	(A=800mm)
	by 8pg unit B30-S (30")	17.7300.34	
	Pos. 22-26		
	smoother cpl.	17.7300.12	



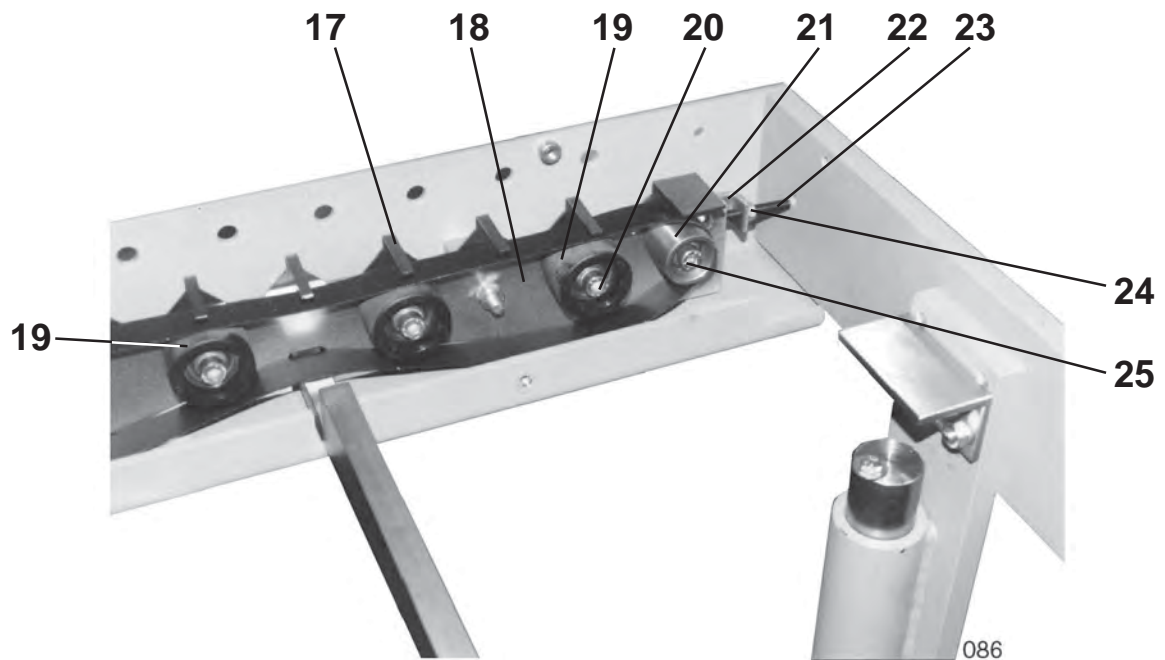
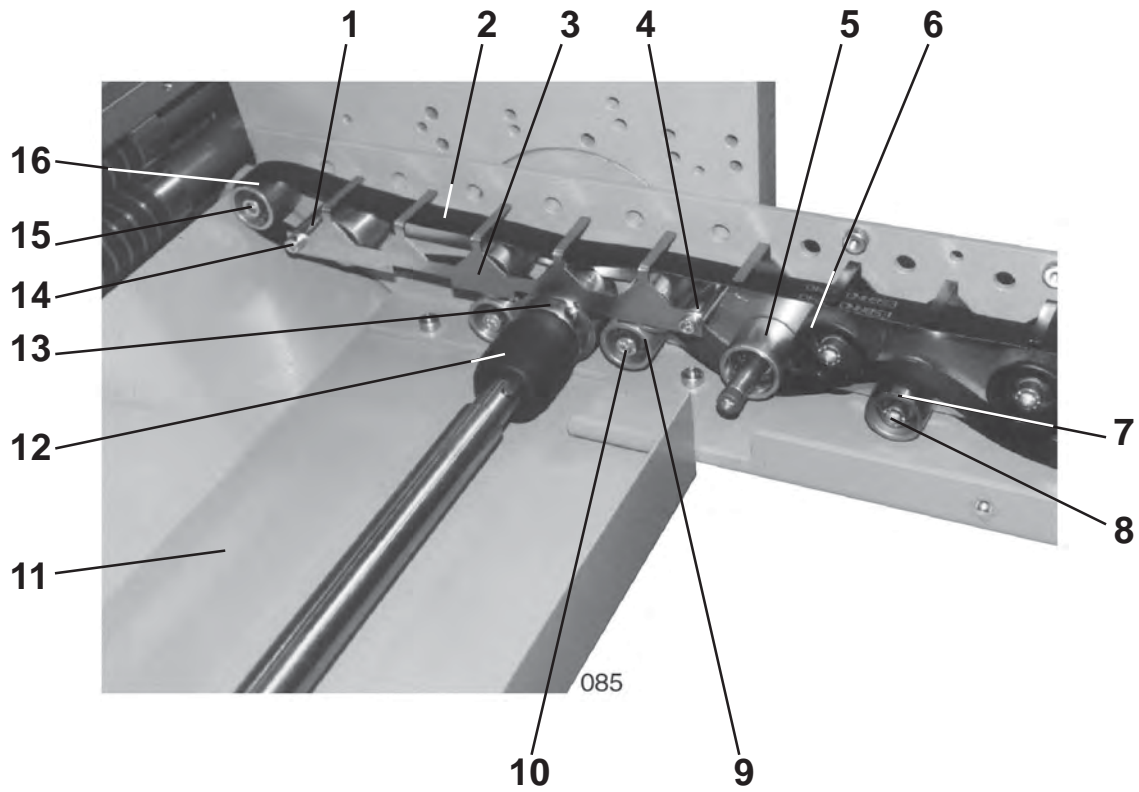
(*) also 8-page unit
B30-S with 26 inch
max. sheet size



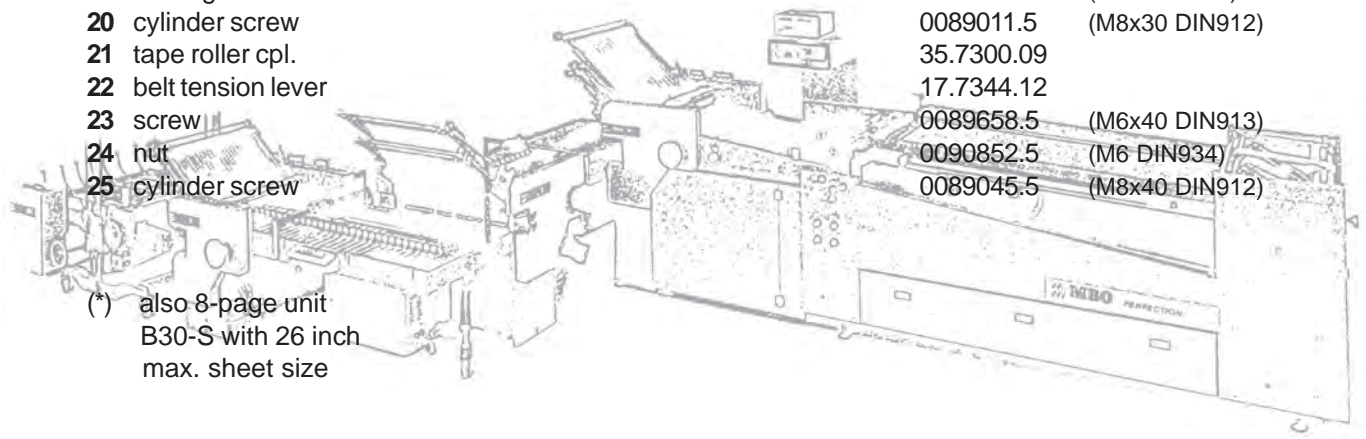
1	knurled grip	00100257	(32-M6x10 SW- GN534)
2	collar	17.7328.03	
3	smoother plate B26-S 8pg unit B30-S 8pg unit (30")	17.7361.54 (*) 17.7361.53	
4	handle	13.2800.01	
5	adjustment piece	35.7212.01	
6	knurled screw	0087148.5	(M8 DIN467)
7	screw	35.7203.00	
8	cap screw	0093641.5	(M8 DIN1587)
9	adjustment piece	35.7212.00	
10	bar	2.0.7244.010	
11	bar	17.7215.01	
12	handle	00100266	(M8x40 GN534)
13	excenter grip	10 420 030	
14	scale	50 670 010	
15	stay bolt	17.7225.00	
16	infeed plate	17.7261.04	
17	ruler	17.7261.07	
18	smoother plate	17.7353.11	
19	spring	00102749	(D150D)
20	cylinder screw	0089086.5	(M8x55 DIN912)
21	bolt	17.7325.00	
22	disc	0095073.5	(5,3 DIN 7349)
23	cylinder screw	0088716.5	(M5x30 DIN912)
24	double roller	17.7200.00	
25	spring	00102772	(D165C)
26	slide bar	17.7261.11	
27	knurled grip with screw	00100268	(32-M6 GN534)
28	screw	0091403.5	(M6x60 DIN939)
29	hexagon screw	0095344.5	(M5x35 DIN7991)
30	holder	0090316.5	(M5x50 DIN933)
31	hexagon screw	17.7244.03	
32	block	0090290.5	(M5x40 DIN933)
33	smoother flat belt	17.7244.01	
34	spring	17.7200.05	
35	double roller bar	00102562	(10-3-1 Knörzer)
36	cylinder screw	17.7251.01	
37	reinforcing bar	0088716.5	(M5x30 DIN912)
		17.7241.00	



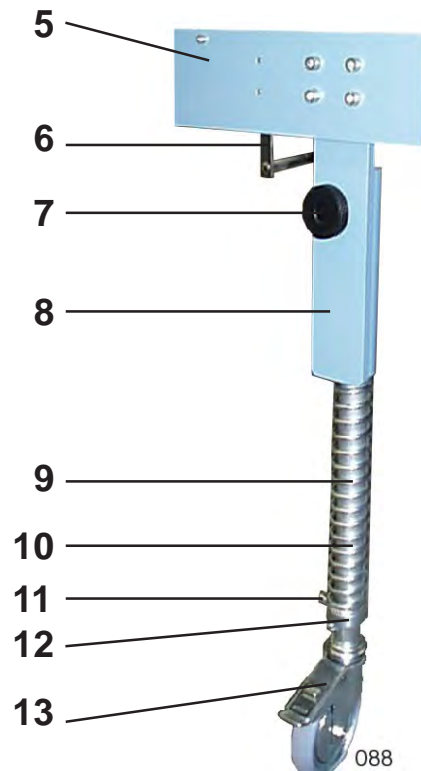
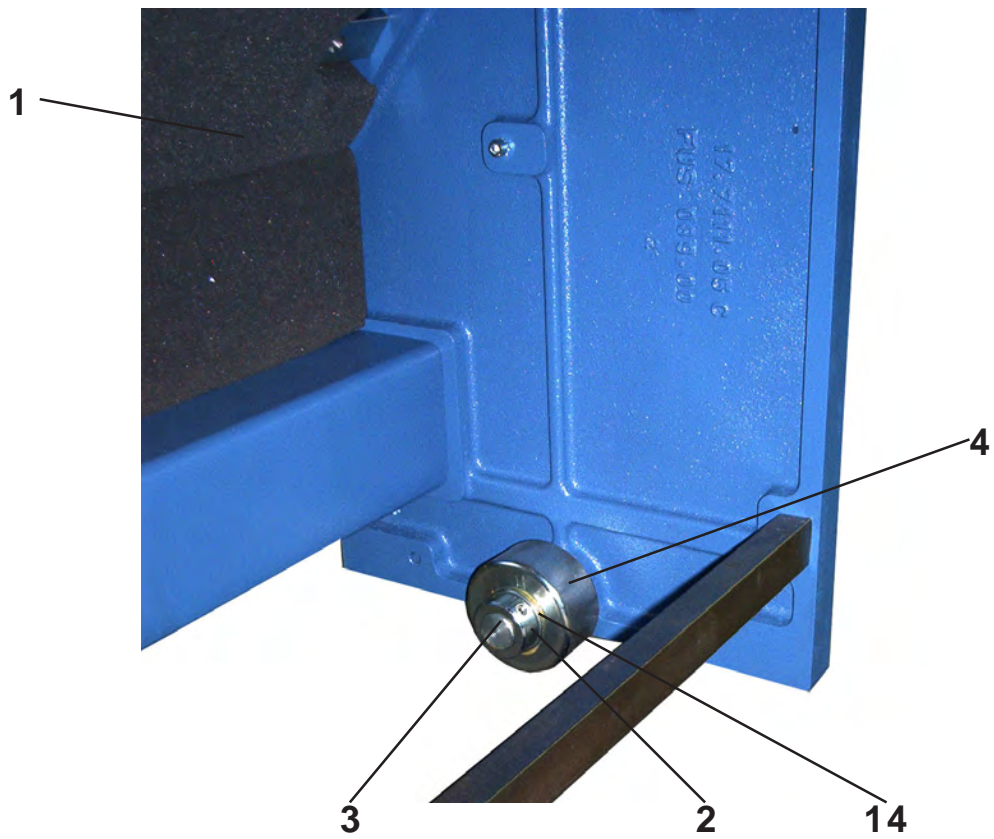
(*) also 8-page unit
B30-S with 26 inch
max. sheet size



1	distance	17.7328.01	
2	flat belt	0106164	(NE 21 20x3240)
3	finger protection	17.7361.19	
4	distance	17.7328.05	
5	tape roller	17.7300.27	
6	bearing	00111781	(F56.202 INA)
7	tape roller cpl.	35.7300.09	
8	cylinder screw	0089011.5	(M8x30 DIN912)
9	tape roller cpl.	35.7300.14	
10	cylinder screw	0089052.5	(M8x45 DIN912)
11	guard		
	B26-S 8pg unit	17.7361.08 (*)	
	B30-S 8pg unit (30")	17.7361.077	
12	coupling piece	01.5200.15	
13	pulley	1.0.5232.310	
14	cylinder screw	0088899.5	(M6x55 DIN912)
15	cylinder screw	0089045.5	(M8x40 DIN912)
16	tape roller cpl.	35.7300.09	
17	guard	17.7361.42	
18	driving plate	17.7364.14	
19	bearing	00111781	(F56.202 INA)
20	cylinder screw	0089011.5	(M8x30 DIN912)
21	tape roller cpl.	35.7300.09	
22	belt tension lever	17.7344.12	
23	screw	0089658.5	(M6x40 DIN913)
24	nut	0090852.5	(M6 DIN934)
25	cylinder screw	0089045.5	(M8x40 DIN912)

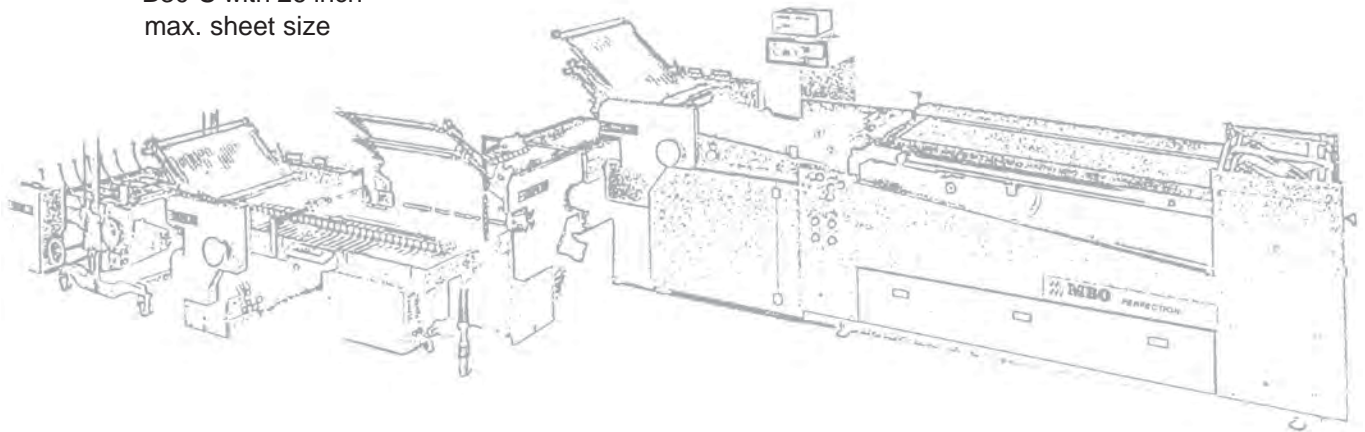


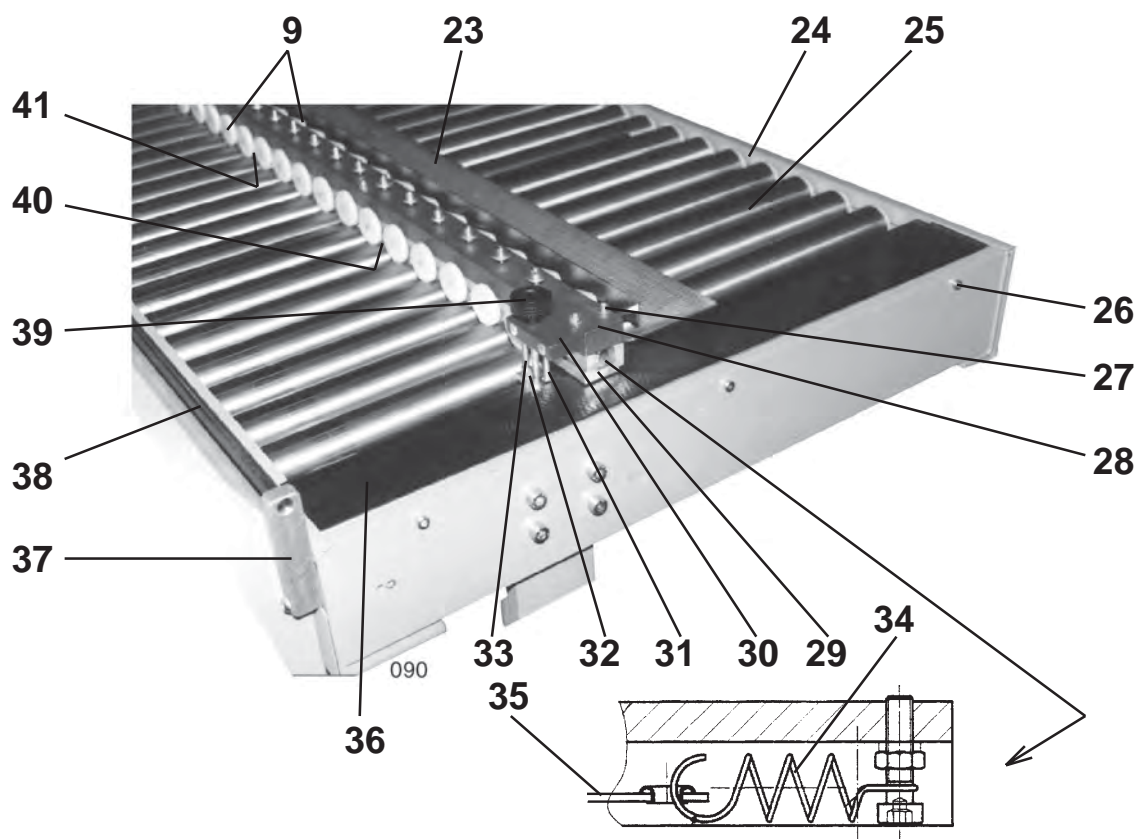
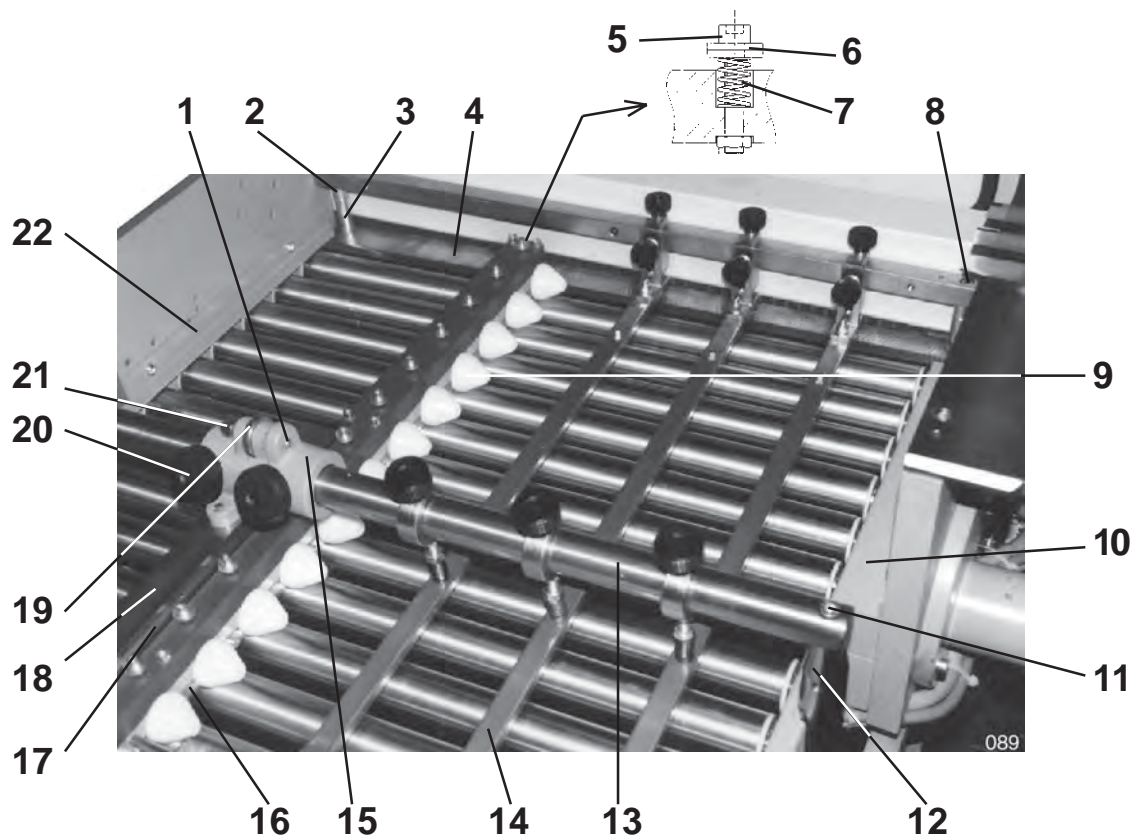
(*) also 8-page unit
B30-S with 26 inch
max. sheet size



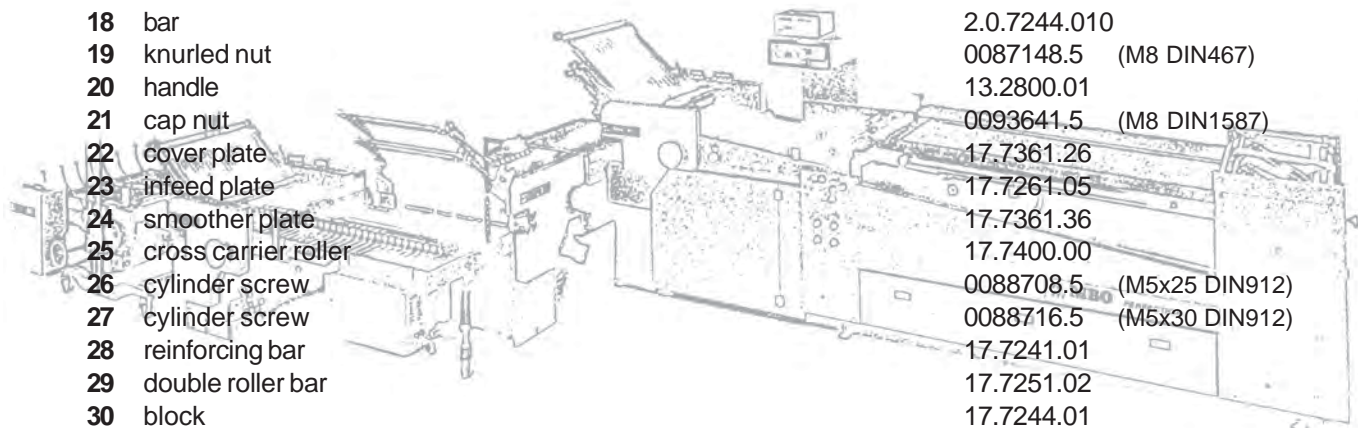
1	guard B26-S 8pg unit B30-S 8pg unit (30")	17.7161.02 (*) 17.7161.36
2	collar	0088393.5 (A25 DIN705)
3	bolt	5.0.7725.010
4	wheel	70 630 011
5	traverse T700 unit II (68cm) T800.1 unitII(78cm)	17.7341.04 (*) 17.7341.019
6	holder	81.8500.16
7	knurled screw	35.7100.64
8	holder	17.7164.05
9	pression spring	70 480 010
10	holder	17.7121.02
11	screw	0096065.5 (ULS M8x25)
12	collar	17.7303.00
13	caster wheel	00104513 (2477 DIK 125 R05)
14	bearing	00110486 (32510-40)

(*) also 8-page unit
B30-S with 26 inch
max. sheet size

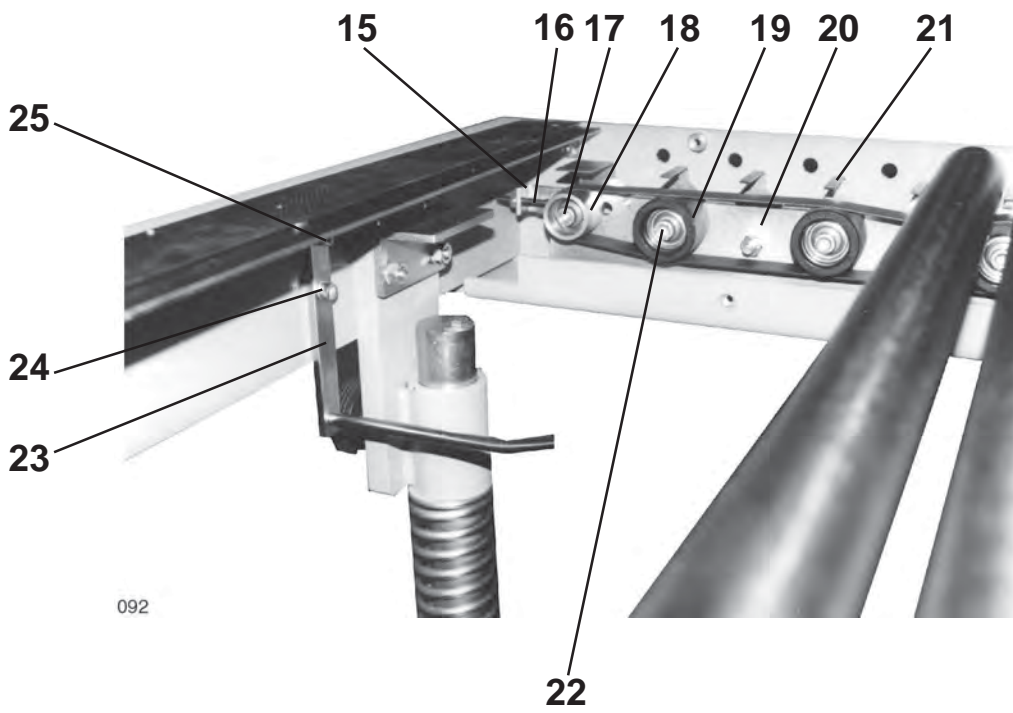
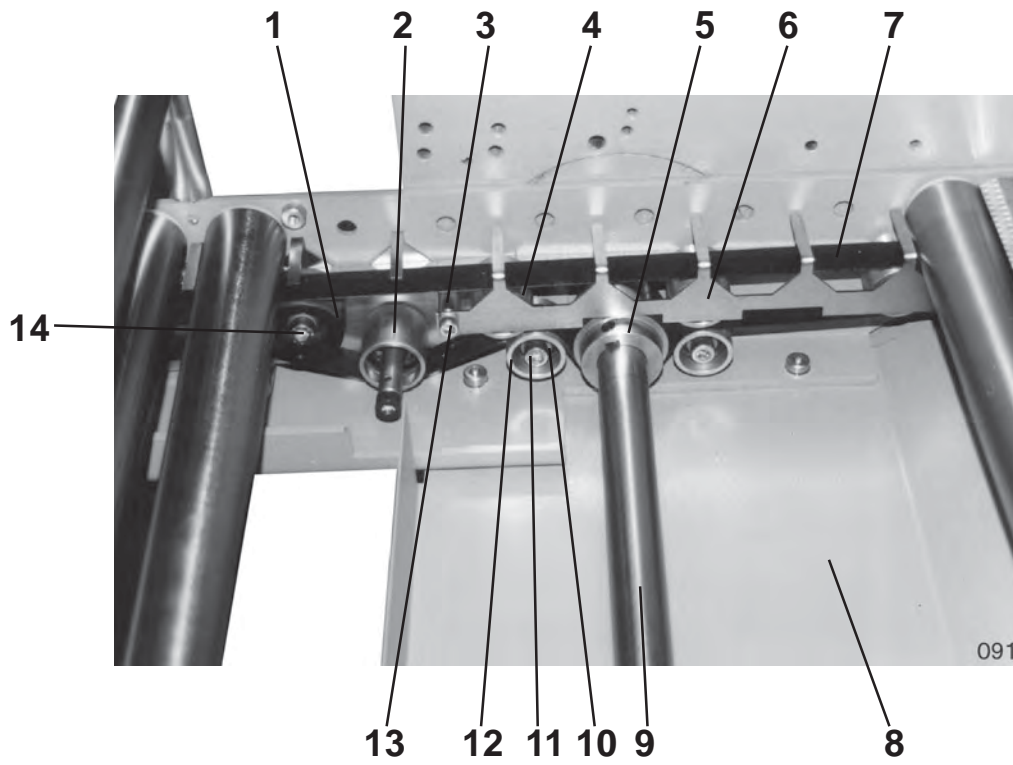




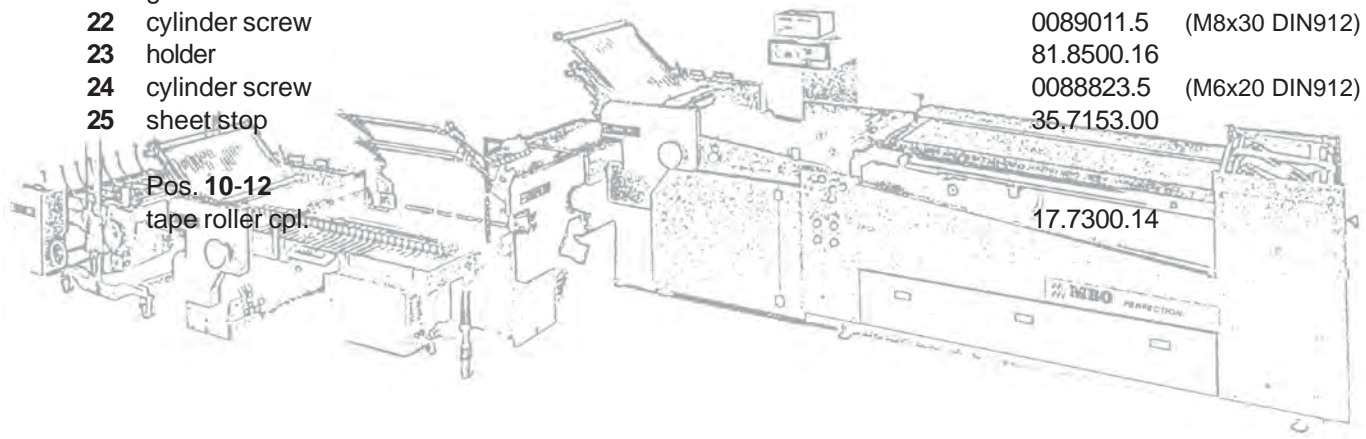
1	screw	35.7203.00
2	distance	10.5128.01
3	distance	10.5128.00
4	infeed plate	
	B26-S 16pg unit	17.5161.12
	B30-S 16pg unit	17.5161.12
5	cylinder screw	0088716.5 (M5x30 DIN912)
6	disc	0095073.5 (5,3 DIN7349)
7	spring	00102772 (D-165C DIN2098)
8	cylinder screw	0088872.5 (M6x40 DIN912)
9	double roll	17.7200.00
10	smoother plate	17.7361.56
11	cylinder screw	0089052.5 (M8x45 DIN912)
12	bolt	17.7325.00
13	adjustment bar	17.7321.18
14	smoother cpl.	
	by 16pg unit B26-S	17.7300.09(*) (800 mm)
	by 16pg unit B30-S	17.7300.34 (660 mm)
15	adjustment piece	35.7212.01
16	ruler	17.7261.08
17	bar	17.7215.02
18	bar	2.0.7244.010
19	knurled nut	0087148.5 (M8 DIN467)
20	handle	13.2800.01
21	cap nut	0093641.5 (M8 DIN1587)
22	cover plate	17.7361.26
23	infeed plate	17.7261.05
24	smoother plate	17.7361.36
25	cross carrier roller	17.7400.00
26	cylinder screw	0088708.5 (M5x25 DIN912)
27	cylinder screw	0088716.5 (M5x30 DIN912)
28	reinforcing bar	17.7241.01
29	double roller bar	17.7251.02
30	block	17.7244.01
31	hexagon screw	0090290.5 (M5x40 DIN933)
32	holder	17.7244.03
33	hexagon screw	0090316.5 (M5x50 DIN933)
34	spring	00102562 (10-3-1 Knörzer)
35	smoother flat belt	17.7200.05
36	infeed plate	17.7361.13
37	holder	17.7344.11
38	bar	17.7321.08
39	knurled grip with screw	00100268 (32-M6 GN534) 0091403.5 (M6x60 DIN939)
40	slide bar	17.7261.11
41	slide bar	17.7261.10



(*) also 8-page unit
B30-S with 26 inch
max. sheet size

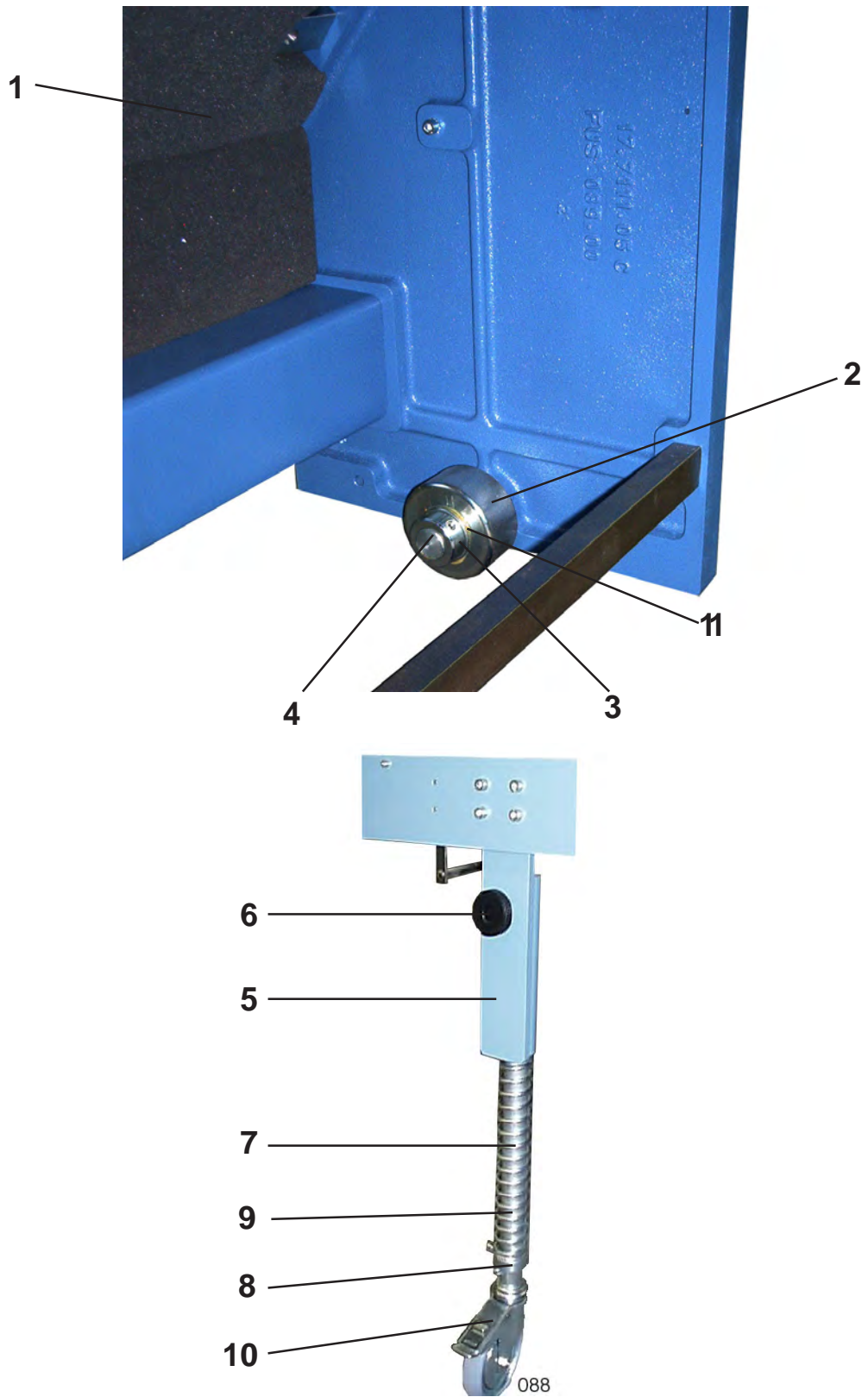


1	bearing	00111781	(F56.202 INA)
2	tape roller	17.7300.27	
3	distance	17.7328.05	
4	tape roller cpl.	35.7300.09	
5	pulley	1.0.5232.310	
6	finger protection	17.7361.19	
7	flat belt	0106164	(NE 21 20x3240)
8	guard	17.7361.10	
9	shaft	17.5221.04	
10	bearing	00111799	(F80.491 INA)
11	cylinder screw	0089052.5	(M8x45 DIN912)
12	roller	17.7332.00	
13	cylinder screw	0088880.5	(M6x45 DIN912)
14	cylinder screw	0089011.5	(M8x30 DIN912)
15	belt tension lever	17.7344.12	
16	screw	0089658.5	(M6x40 DIN913)
17	cylinder screw	0089045.5	(M8x40 DIN912)
18	tape roller cpl.	35.7300.09	
19	bearing	00111781	(F56.202 INA)
20	driving plate	17.7364.14	
21	guard	17.7361.43	
22	cylinder screw	0089011.5	(M8x30 DIN912)
23	holder	81.8500.16	
24	cylinder screw	0088823.5	(M6x20 DIN912)
25	sheet stop	35.7153.00	

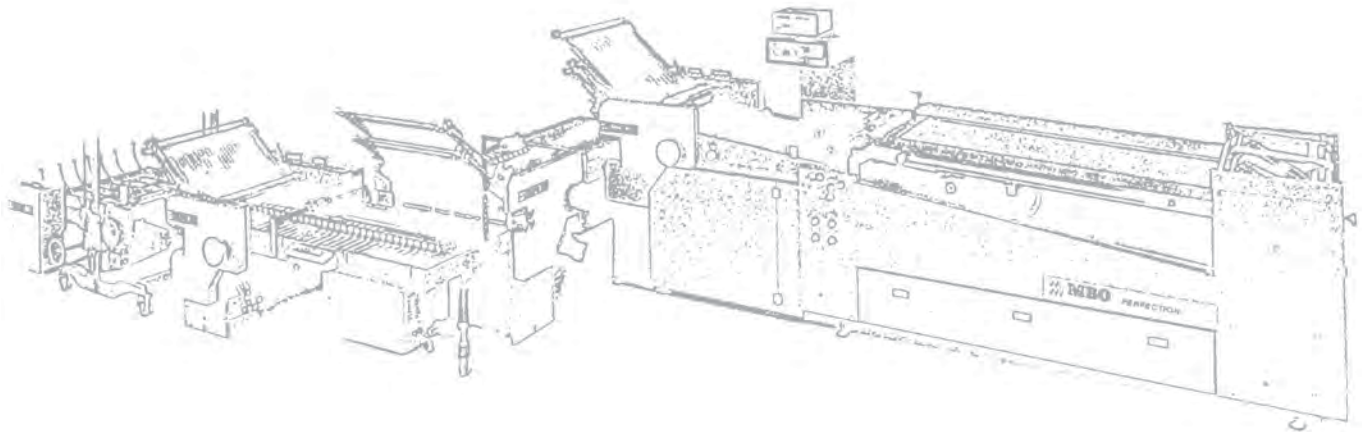


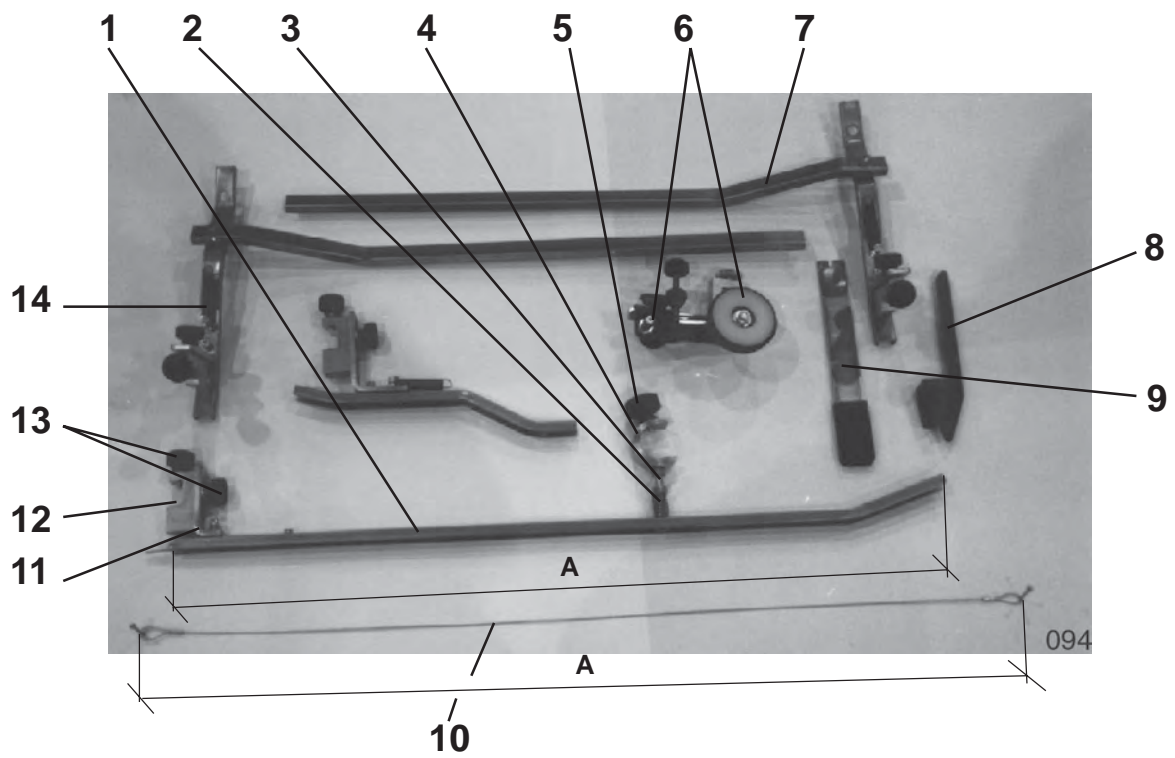
Pos. 10-12
tape roller cpl.

17.7300.14



1	guard B26-S/B30-S 16pg unit B26-S/B30-S 32pg unit	17.7161.04 17.7161.05	
2	wheel	70 630 011	
3	collar	0088393.5	(A25 DIN705)
4	bolt	5.0.7725.010	
5	holder	4.0.7144.010	
6	knurled screw	35.7100.64	
7	spring B26-S/B30-S 16pg unit B26-S/B30-S 32pg unit	70 480 010 01.7181.00	
8	collar	17.7303.00	
9	holder B26-S/B30-S 16pg unit 4 buckles 16pg unit 2 buckles 32pg unit 4 buckles 32pg unit 2 buckles	4.0.7121.060 4.0.7121.070 17.7121.03 17.7121.04	
10	caster wheel	00104513	(2477 DIK 125 RO5)





1 smoother		
B26-S 8 page unit and 16 page unit	17.7353.05(*)	(A=800 mm)
B30-S 8pg unit and 16pg unit	17.7353.11	(A=660 mm)
B30-S 8 page unit and B26-S 16pg unit	17.7353.11	(A=660 mm)
B26-S/B30-S 16 page and 32 page unit	17.7353.06	(A=670 mm)
2 spring	00102749	(D150 DIN2098)
3 cylinder screw	0089086.5	(M8x55 DIN912)
4 collar	17.7328.03	
5 knurled grip	00100257	(M6x10SW GN534-32)
6 transport roller cpl.	17.7300.28	
7 smoother cpl.		
B26-S/B30-S 16 page and 32 page unit	17.7300.13	
8 smoother	01.7264.00	
9 tools	17.7200.07	
10 smoother rope cpl.		
B26-S/B30-S 16 page and 32 page unit	17.7300.18	(A=600 mm)
11 bar	17.7353.08	
12 holder	70 500 260	
13 knurled screw	00095810	(M6x15 GN421)
14 smoother rope cpl.		
B26-S/B30-S 16 page and 32 page unit	17.7300.15	

Pos. 1-5 + 11-13

smoother cpl.

B26-S 8 page unit and 16 page unit

B30-S 8pg unit and 16pg unit

B30-S 8 page unit and B26-S 16pg unit

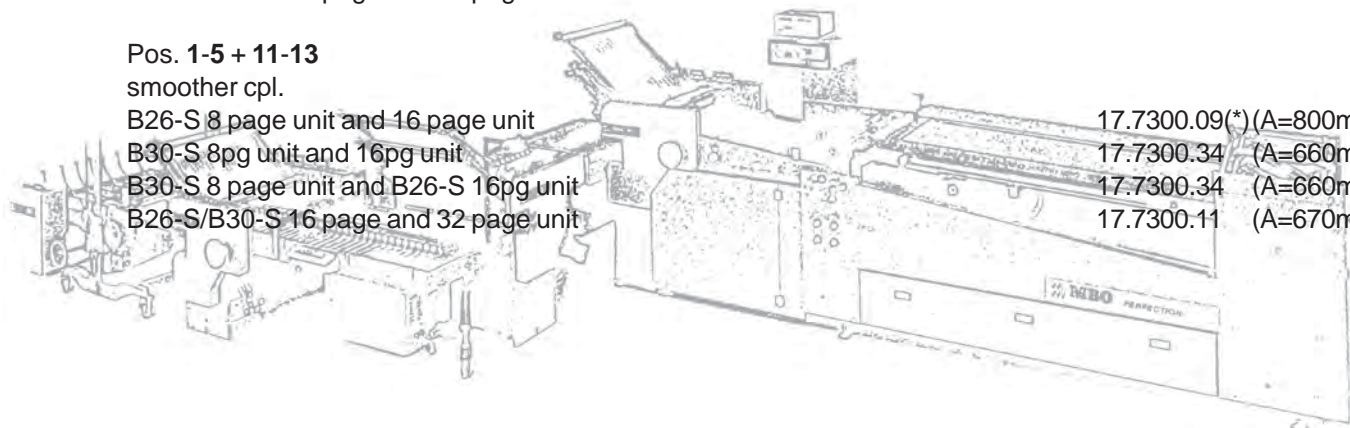
B26-S/B30-S 16 page and 32 page unit

17.7300.09(*) (A=800mm)

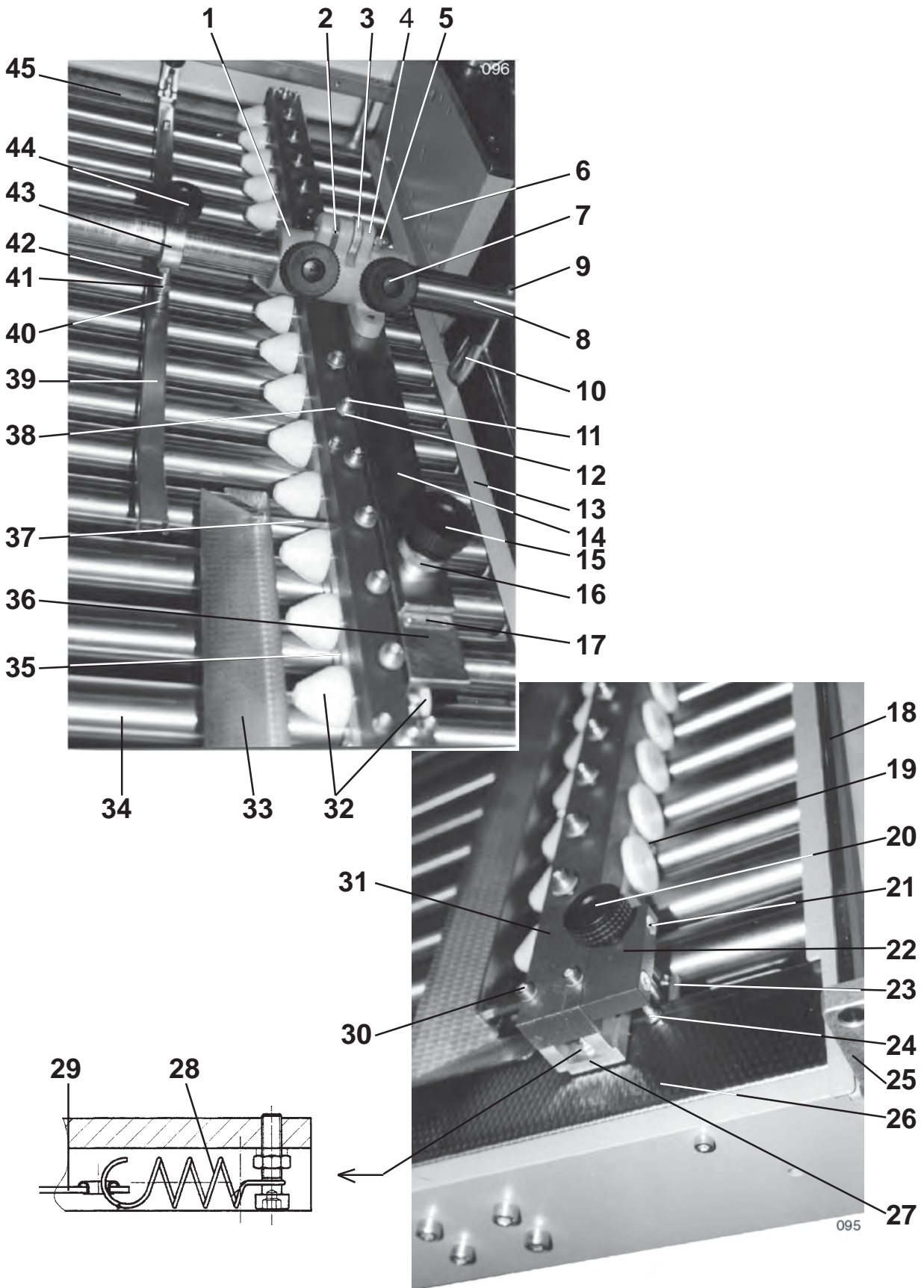
17.7300.34 (A=660mm)

17.7300.34 (A=660mm)

17.7300.11 (A=670mm)

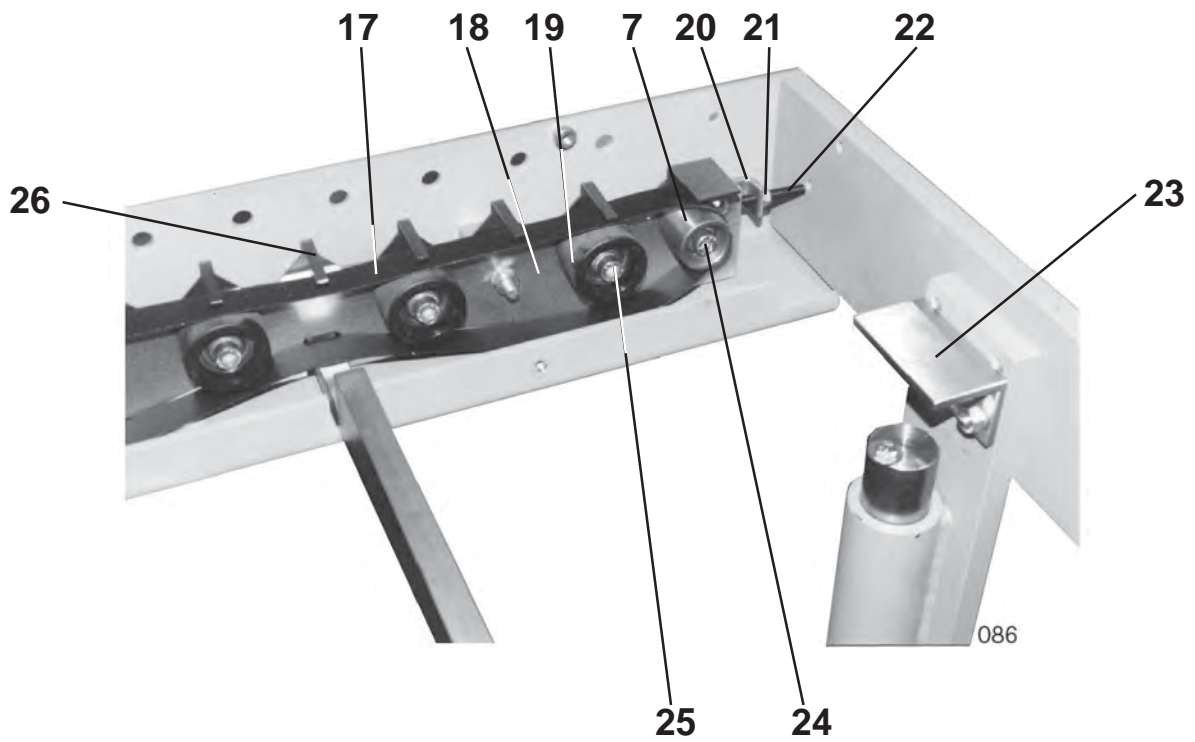
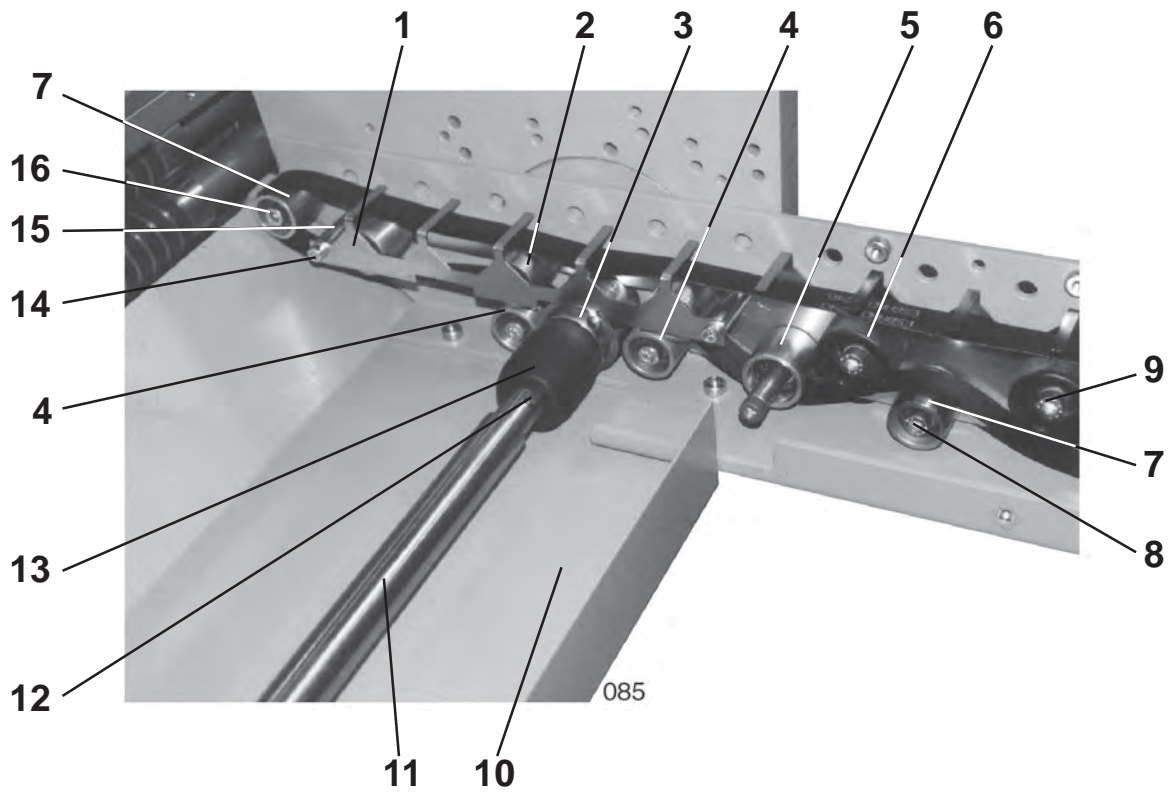


(*) also 8-page unit
B30-S with 26 inch
max. sheet size

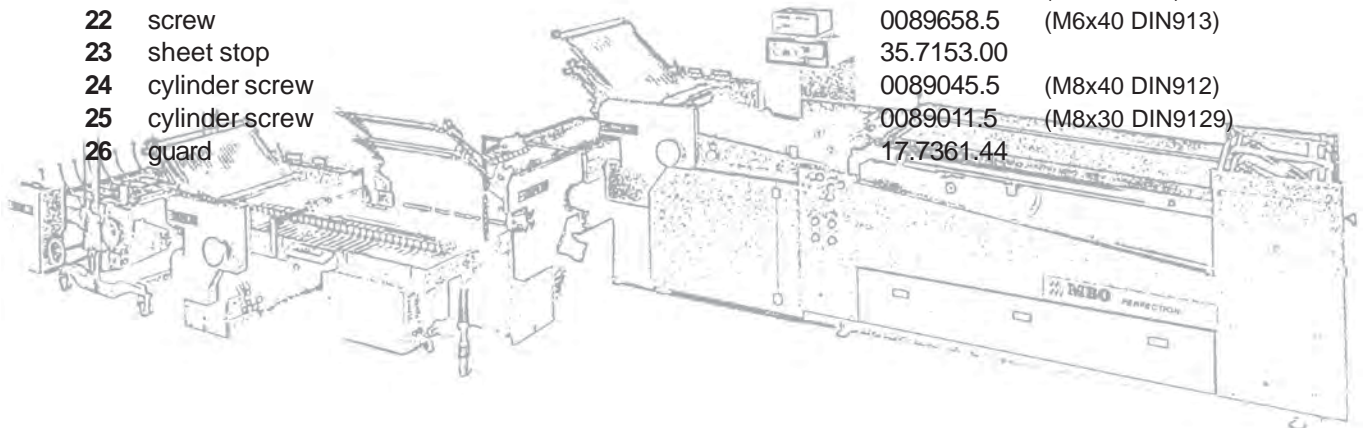


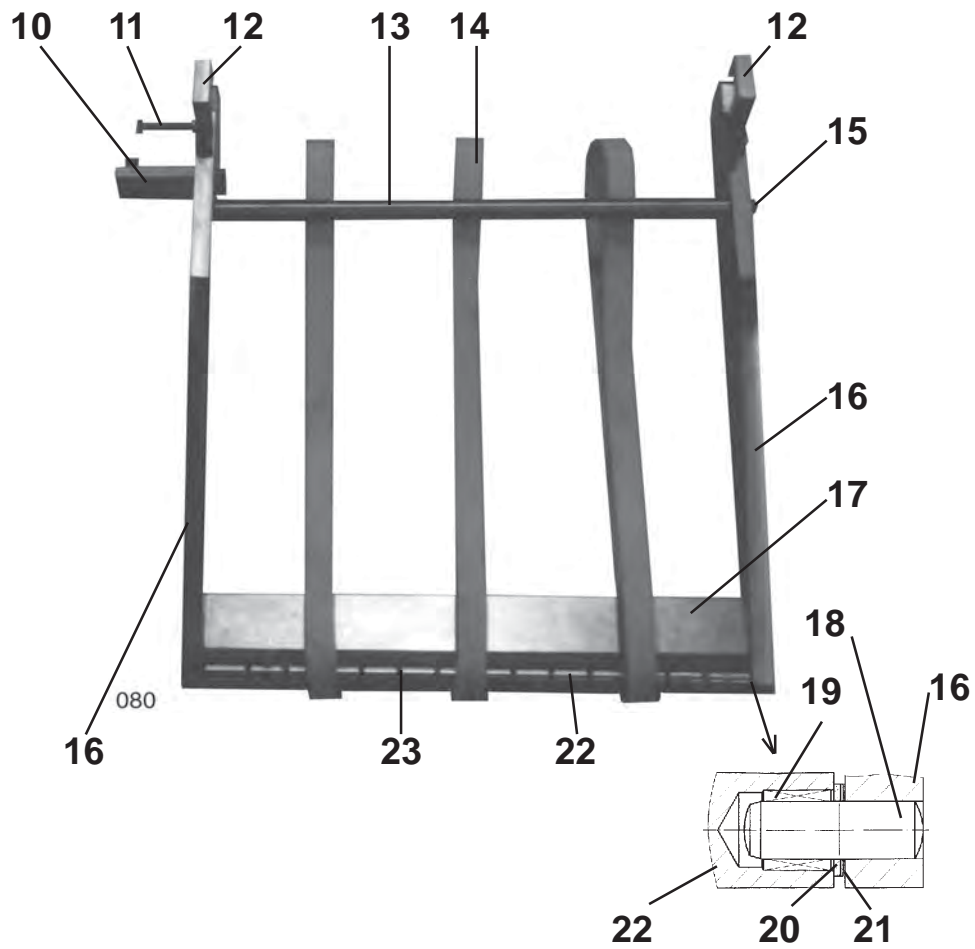
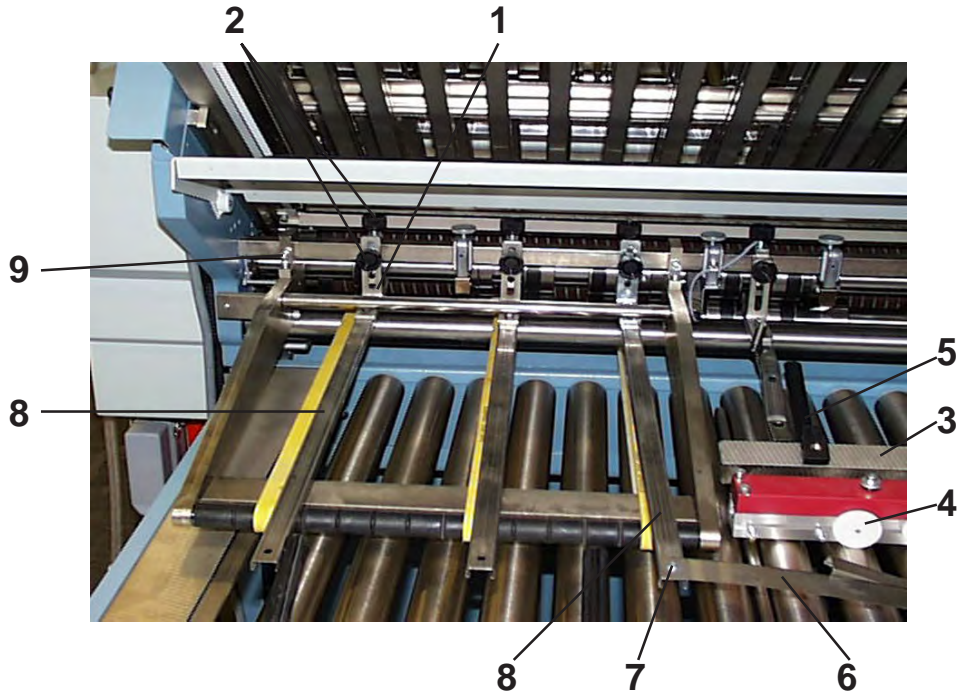
1	adjustment piece	35.7212.01	
2	screw	35.7203.00	
3	knurled nut	0087148.5	(M8 DIN467)
4	adjustment piece	35.7212.00	
5	cap nut	0093641.5	(M8 DIN1587)
6	cover plate	17.7361.25	
7	handle	13.2800.01	
8	adjustment bar	17.7321.18	
9	cylinder screw	0089052.5	(M8x45 DIN912)
10	bolt	17.7325.00	
11	cylinder screw	0088716.5	(M5x30 DIN912)
12	disc	0095073.5	(5,3 - DIN7349)
13	cover plate	17.7361.29	
14	bar	2.0.7244.010	
15	knurled grip	00100269	(GN534-40-M8-SW)
16	excenter grip	10 420 030	
17	scale	50 670 010	
18	bar	17.7321.09	
19	slide bar	17.7261.12	
20	knurled grip with screw	00100268	(GN534 - 32-M6)
21	screw	0091403.5	(M6x60 DIN939)
22	block	0095344.5	(M5x35 DIN7991)
23	holder	17.7244.01	
24	hexagon screw	17.7244.03	
25	holder	0090290.5	(M5x40 DIN933)
26	infeed plate	17.7344.11	
27	double roller bar	17.7361.14	
28	spring	17.7251.03	
29	smoother belt	00102562	(10-3-1 Knörzer)
30	cylinder screw	17.7200.08	
31	reinforcing bar	0088716.5	(M5x30 DIN912)
32	double roller	17.7241.02	
33	infeed plate	17.7200.00	
34	cross carrier roller cpl.	17.7261.06	
35	ruler	17.7400.00	
36	bar	17.7261.09	
37	bolt	17.7215.01	
38	spring	17.7225.00	
39	smoother	00102772	(D-165C DIN2098)
40	spring	17.7353.06	(669 Länge)
41	nut	00102749	(D-150D DIN2098)
42	cylinder screw	0090878.5	(M8 DIN934)
43	collar	0089086.5	(M8x55 DIN912)
44	knurled grip	17.7328.03	
45	infeed plate	00100257	(GN534-32-M6x10-SW)
		17.5161.11	
	Pos. 39-44 smoother cpl.	17.7300.11	

#37 nut M5DIN934
#37 washer M5.3DIN125-B

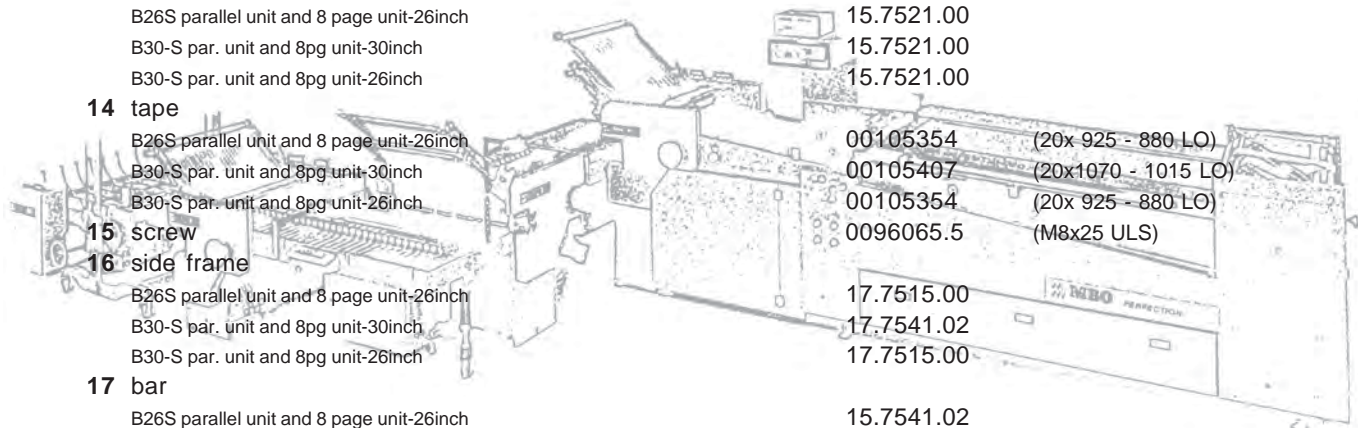


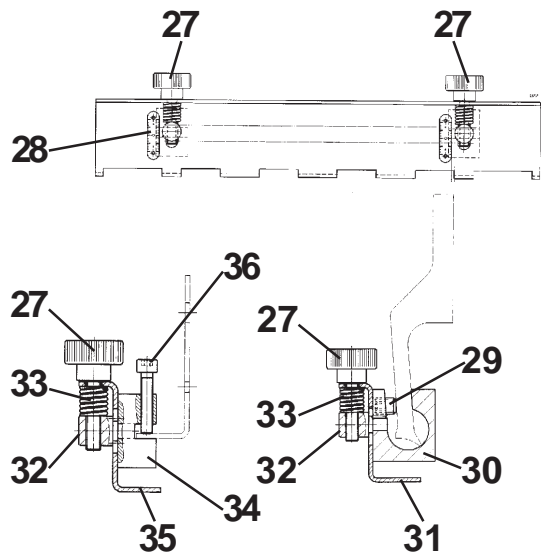
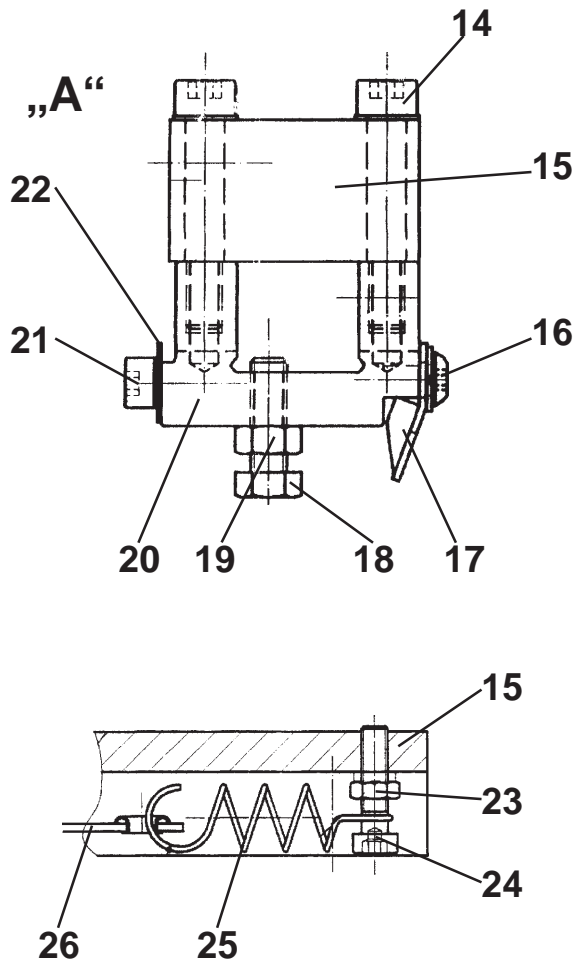
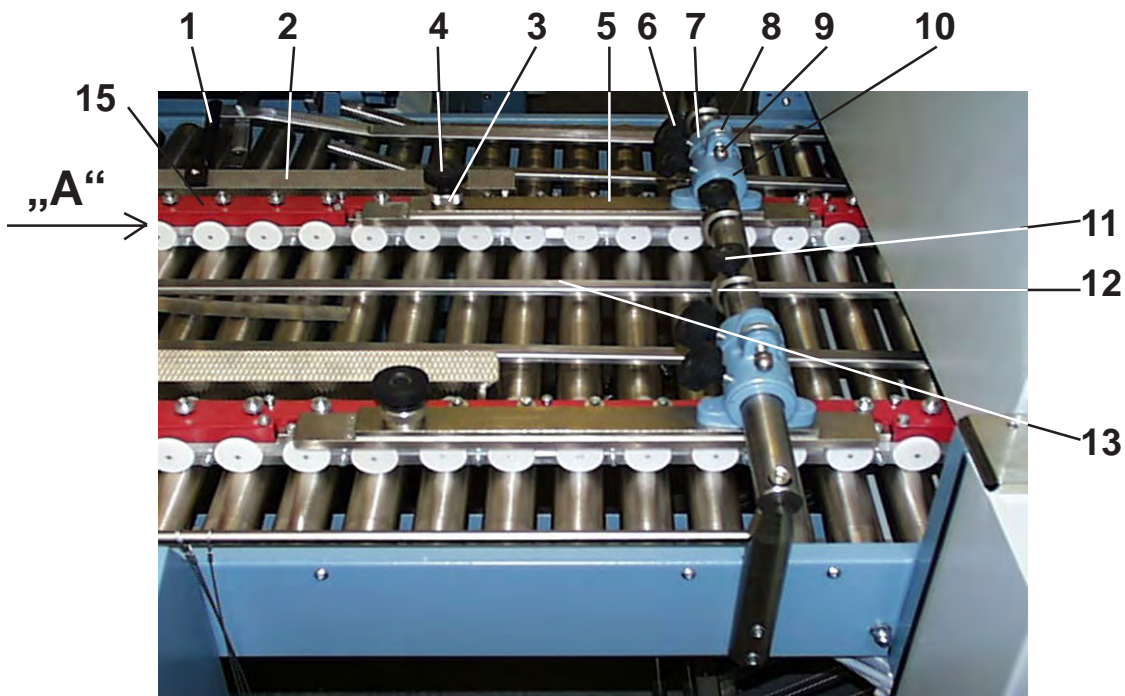
1	finger protection	17.7361.19	
2	tape roller	35.7300.09	
3	pulley	1.0.5232.310	
4	tape roller cpl.	17.7300.14	
5	tape roller	17.7300.27	
6	bearing	00111781	(F56.202 INA)
7	tape roller	35.7300.09	
8	cylinder screw	0099011.5	(M8x30 DIN912)
9	cylinder screw	0089011.5	(M8x30 DIN912)
10	guard	17.7361.10	
11	shaft	17.5221.04	
12	spring	00094508	(6x6x30 DIN6885)
13	coupling piece	01.5200.15	
14	cylinder screw	0088899.5	(M6x55 DIN912)
15	distance	17.7328.01	
16	cylinder screw	0089045.5	(M8x40 DIN912)
17	flat belt	0106068	(20x2735 NE 21)
18	driving plate	17.7364.15	
19	bearing	00111781	(F56.202 INA)
20	belt tension lever	17.7344.12	
21	nut	0090852.5	(M6 DIN934)
22	screw	0089658.5	(M6x40 DIN913)
23	sheet stop	35.7153.00	
24	cylinder screw	0089045.5	(M8x40 DIN912)
25	cylinder screw	0089011.5	(M8x30 DIN9129)
26	guard	17.7361.44	





1	holder	35.6853.01	
2	knurled screw	0095810.5	(M6x15 GN421)
3	infeed plate	17.7561.00	
4	double roller	17.7200.00	
5	smoother	01.7264.00	
6	smoother	15.6885.00	
7	vis cylindrique	0085910.5	(M5x8 DIN84)
8	smoother		
	B26S parallel unit and 8 page unit-26inch	17.7553.00	
	B30-S par. unit and 8pg unit-30inch	17.7553.03	
	B30-S par. unit and 8pg unit-26inch	17.7553.00	
9	cylinder screw	00886335	((M5x16 DIN912)
10	holder		
	B26S parallel unit and 8 page unit-26inch	15.6844.01	
	B30-S par. unit and 8pg unit-30inch	17.7544.01	
	B30-S par. unit and 8pg unit-26inch	17.7544.01	
11	screw		
	B26S parallel unit and 8 page unit-26inch	0090415.5	(M6x50 DIN933)
	B30-S par. unit and 8pg unit-30inch	0090373.5	(M6x25 DIN933)
	B30-S par. unit and 8pg unit-26inch	0090373.5	(M6x25 DIN933)
12	holder	15.6844.00	
13	traverse		
	B26S parallel unit and 8 page unit-26inch	15.7521.00	
	B30-S par. unit and 8pg unit-30inch	15.7521.00	
	B30-S par. unit and 8pg unit-26inch	15.7521.00	
14	tape		
	B26S parallel unit and 8 page unit-26inch	00105354	(20x 925 - 880 LO)
	B30-S par. unit and 8pg unit-30inch	00105407	(20x1070 - 1015 LO)
	B30-S par. unit and 8pg unit-26inch	00105354	(20x 925 - 880 LO)
15	screw	0096065.5	(M8x25 ULS)
16	side frame		
	B26S parallel unit and 8 page unit-26inch	17.7515.00	
	B30-S par. unit and 8pg unit-30inch	17.7541.02	
	B30-S par. unit and 8pg unit-26inch	17.7515.00	
17	bar		
	B26S parallel unit and 8 page unit-26inch	15.7541.02	
	B30-S par. unit and 8pg unit-30inch	17.7541.02	
	B30-S par. unit and 8pg unit-26inch	17.7541.02	
18	pin	15.6803.00	
19	bearing	00110397	(HK 1012)
20	washer	00092230	(10x16x1,2 DIN988)
21	washer	00092213	(10x16x0,5 DIN988)
22	tape roller		
	B26S parallel unit and 8 page unit-26inch	15.7524.00	
	B30-S par. unit and 8pg unit-30inch	17.7524.00	
	B30-S par. unit and 8pg unit-26inch	17.7524.00	
23	o-ring	00101123	(3,0x15)





Standard-buckle plate Combi-buckle plate

1	smoother	01.7264.00	
2	infeed plate	17.7561.00	
3	handle	00100266	(M8x40 GN534)
4	excenter grip	10 420 030	
5	bar	2.0.7244.010	
6	handle	13.2800.01	
7	adjustment piece	35.7212.01	
8	knurled nut	0087155.5	(M8 DIN467)
9	cap nut	0093641.5	(M8 DIN 1587)
10	adjustment piece	35.7212.00	
11	knurled grip	00100268	(M6x32 GN534)
12	collar	17.7328.03	
13	smoother		
	8 page unit - 26inch	17.7553.01	
	8 page unit - 30inch	17.7553.02	
14	cylinder screw	0088716.5	(M5x30 DIN912)
15	reinforcing bar		
	8 page unit - 26inch	17.7541.00	
	8 page unit - 30inch	17.7541.03	
16	screw	0095927.5	(M4x8 ULS)
17	ruler		
	8 page unit - 26inch	17.7561.01	
	8 page unit - 30inch	17.7561.09	
18	hexagon screw	0090241.5	(M5x16 DIN933)
19	nut	0090845.5	(M5 DIN934)
20	double roller bar		
	8 page unit - 26inch	17.7551.00	
	8 page unit - 30inch	17.7551.02	
21	cylinder screw	0088567.5	(M4x6 DIN912)
22	slide bar		
	8 page unit - 26inch	17.7561.03	
	8 page unit - 30inch	17.7561.11	
23	nut	0092122.5	(M5 DIN985)
24	cylinder screw	0094668.5	(M5x20 DIN6912)
25	spring	00102562	(10-3-1 knörzer)
26	smoother flat belt		
	8 page unit - 26inch	17.7500.23	
	8 page unit - 30inch	17.7500.30	
27	knurled screw	00095860	(M6x25 GN421)
28	scale	50 670 010	
29	screw	0089680.5	(M8x10 DIN933)
30	clamping piece	10.7544.00	
31	sheet stop combi-plate		
	8 page unit - 26inch	17.7561.13	
	8 page unit - 30inch	17.7561.06	
32	bolt	3.0.7525.010	
33	pression spring	50 480 090	
34	clamping piece	3.0.7544.050	
35	sheet stop standard buckle plate		
	8 page unit - 26inch	17.7561.05	
	8 page unit - 30inch	17.7561.07	
36	cylinder screw	0088708.5	(M5x25 DIN912)
	pos.27-33		
	(combi-plate (2x))		
	sheet stop cpl.		
	for 8 page unit -26inch	17.7500.04	
	sheet stop cpl.		
	for 8 page unit -30inch	17.7500.074	
	pos.27+32-36		
	(standard-buckle plate (2x))		
	sheet stop cpl.		
	for 8 page unit -26inch	17.7500.05	
	sheet stop cpl.		
	for 8 page unit -30inch	17.7500.075	

