

R530

parts needed to convert a double
suction wheel to a single suction
wheel

1x Suction Wheel Assembly

15.3200.53

1x Holder for Sensor

1.0.1143.320

Rundstapelanleger Continuous feeder Margeur rotary

**ERSATZTEILLISTE
SPARE PARTS LIST
LIST DE PIÉCES DE RECHANGE**



MBO
Folding Technology

| | | | | |
|----|-------------------|-------------------------------|------------------------|----------------|
| 01 | Rundstapelanleger | continuous feeder | margeur rotary | EL 2130 4 - 21 |
| 02 | Schrägbandtisch | accordion type register table | table de rectification | EL 2140 21 -29 |

Dieser Ersatzkatalog zeigt alle wichtigen Teile der Maschinen, Auslage und Anleger.
Die Numerierung der einzelnen Teile entspricht unseren Werksnummern.
Bei Bestellungen bitten wir immer diese Nummern anzugeben.
Dadurch ist eine schnelle und fehlerfreie Bearbeitung möglich.

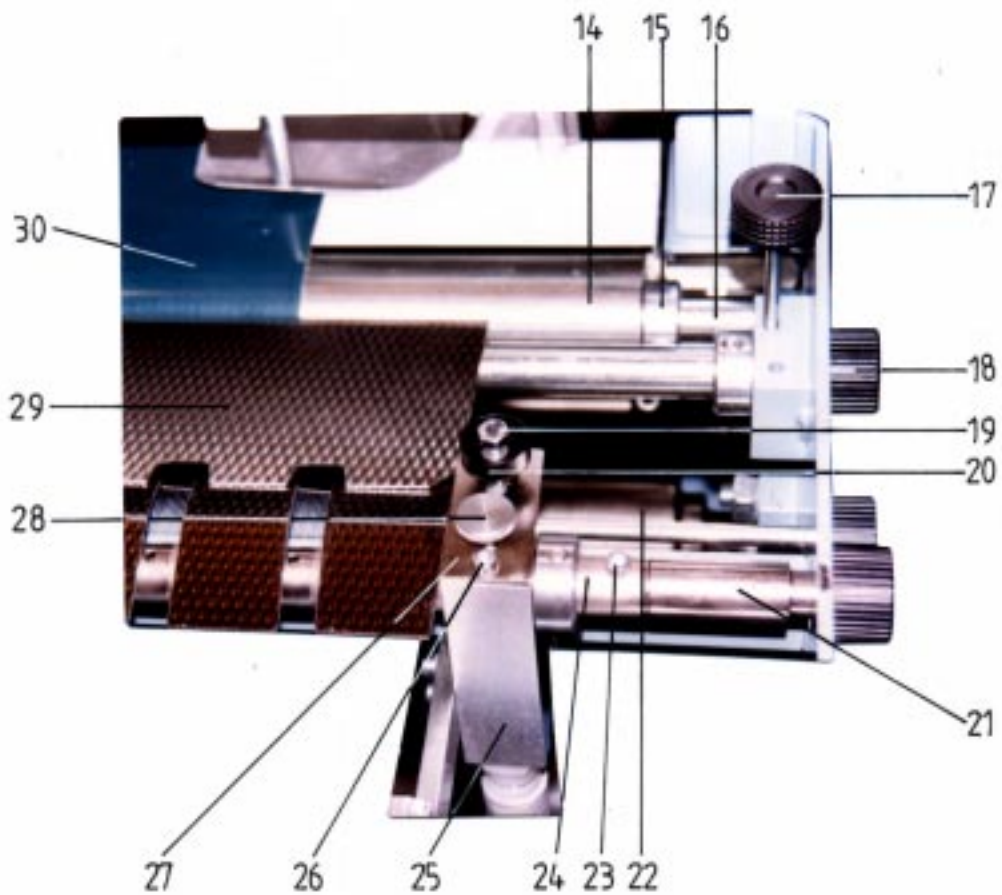
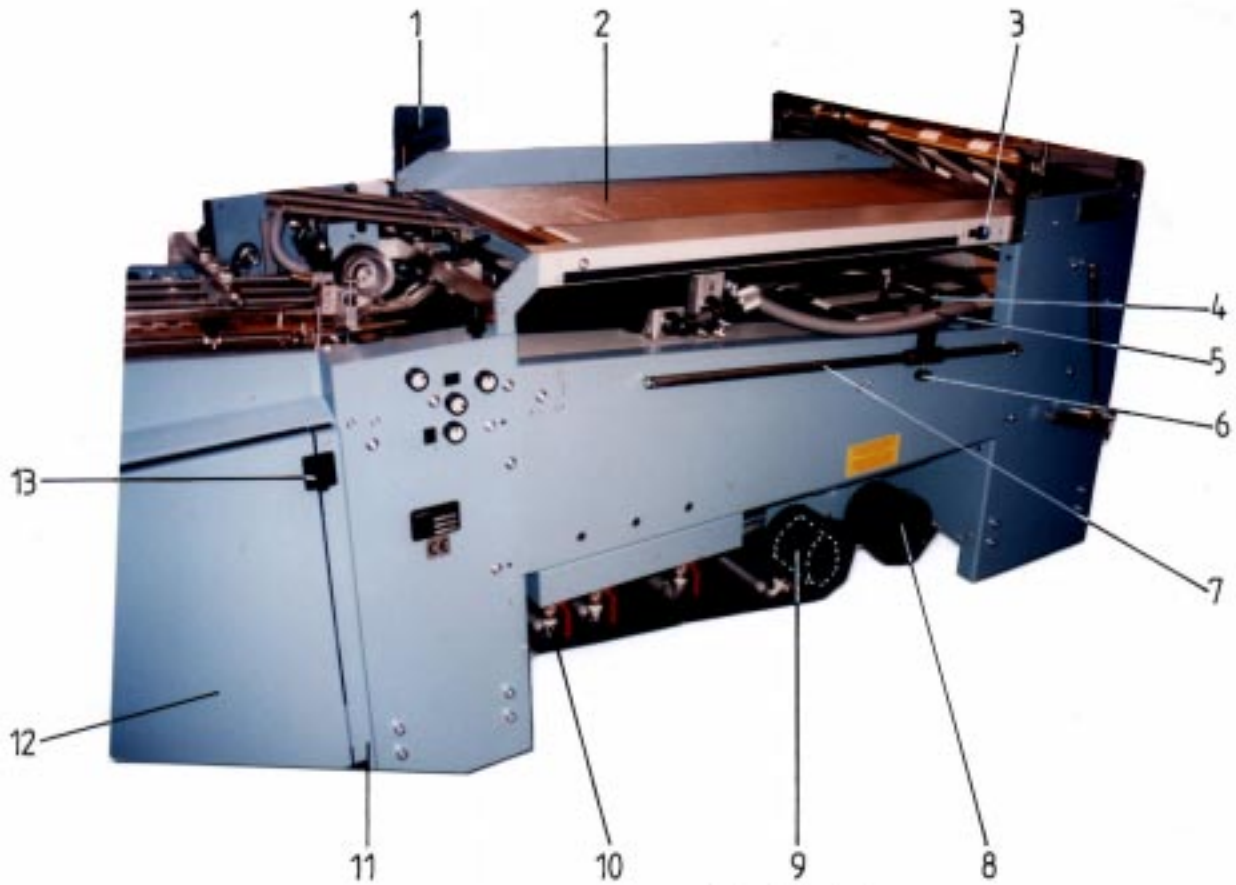
Außerordentlich wichtig bei Ersatzteilbestellungen ist die Typenbezeichnung Ihrer Maschine.
Bitte geben Sie uns stets die Maschinentype und die Seriennummer bei Bestellungen mit an.

These spare parts catalogues show you all important parts of the machine, delivery and feeder.
The numeration of the individual parts correspond to our fabrication numbers.
When ordering parts please always indicate the number, this enables us to handle your order faultless and without any delay.

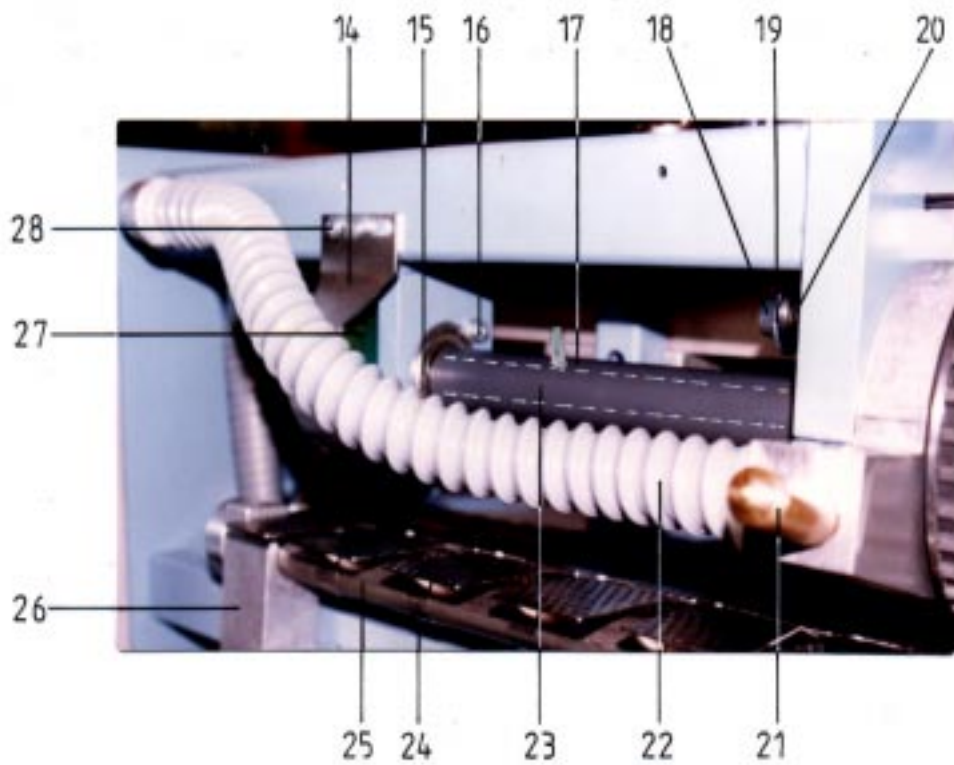
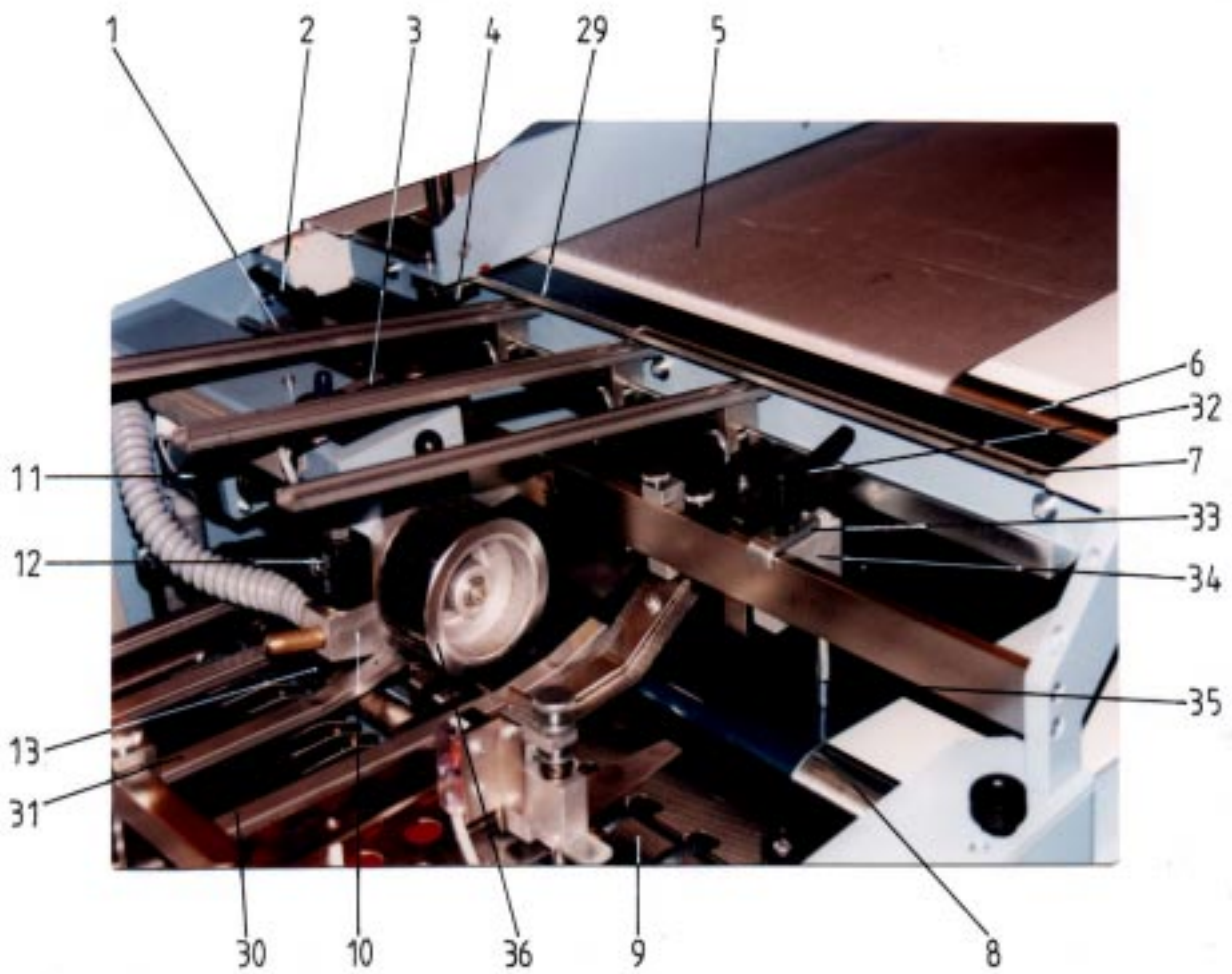
It is also very important to indicate the type and serial number of the machine for which the spare parts are required.

Ce catalogue de pièces détachées présente les pièces essentielles de la machine, sortie et margeur.
La numération de chaque pièce correspond à nos numéros d'identification.
Lors de vos commandes veuillez chaque fois indiquer ces numéros.
Ainsi le traitement de vos commandes sera plus rapide et sans erreur.

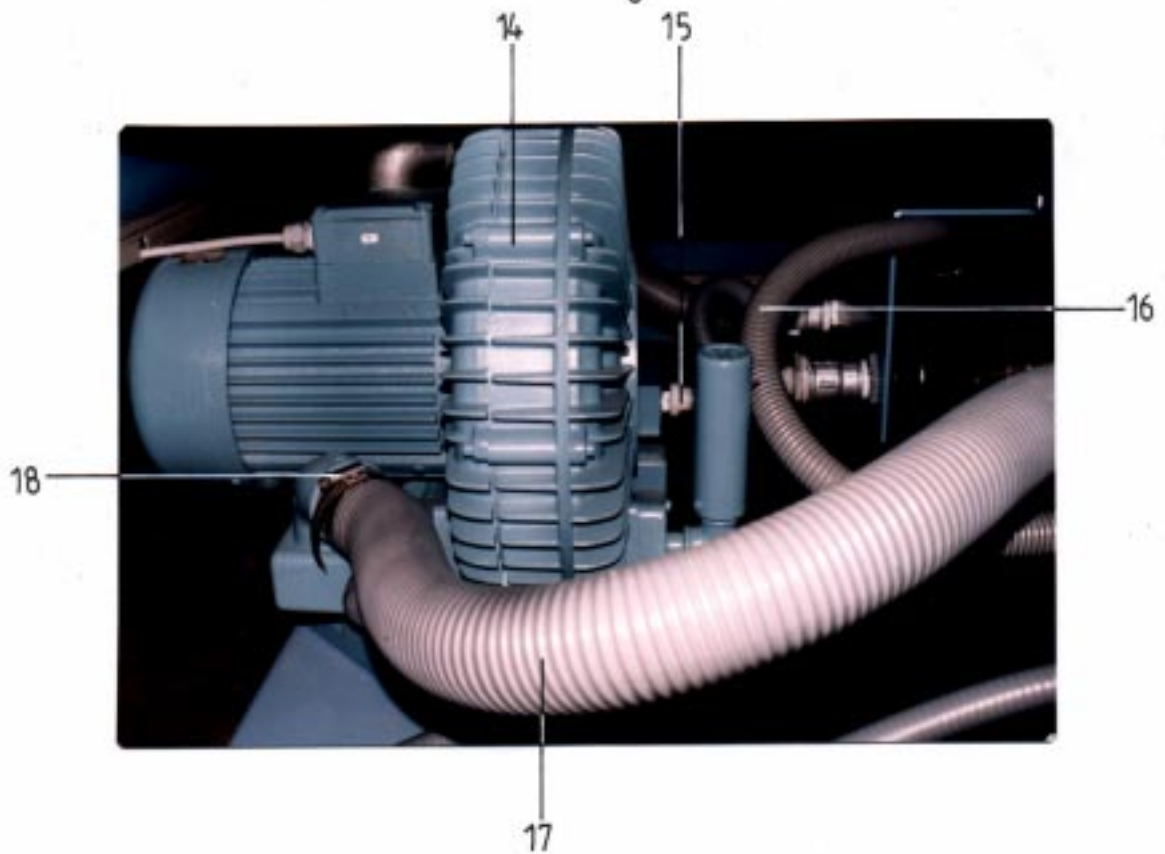
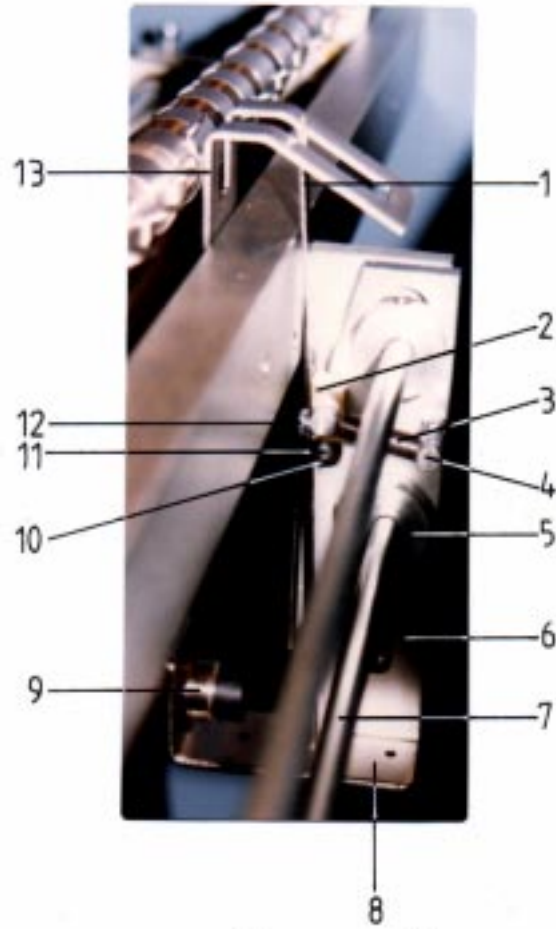
Lors de vos commandes de pièces détachées, nous vous invitons d'indiquer le type de votre machine et le numéro de série.



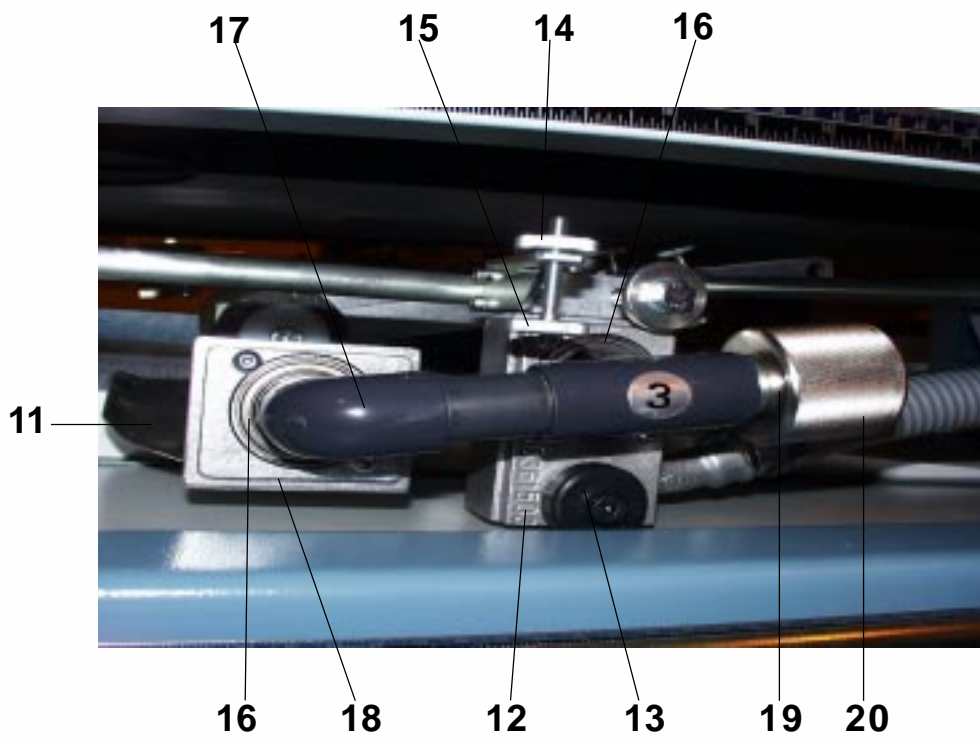
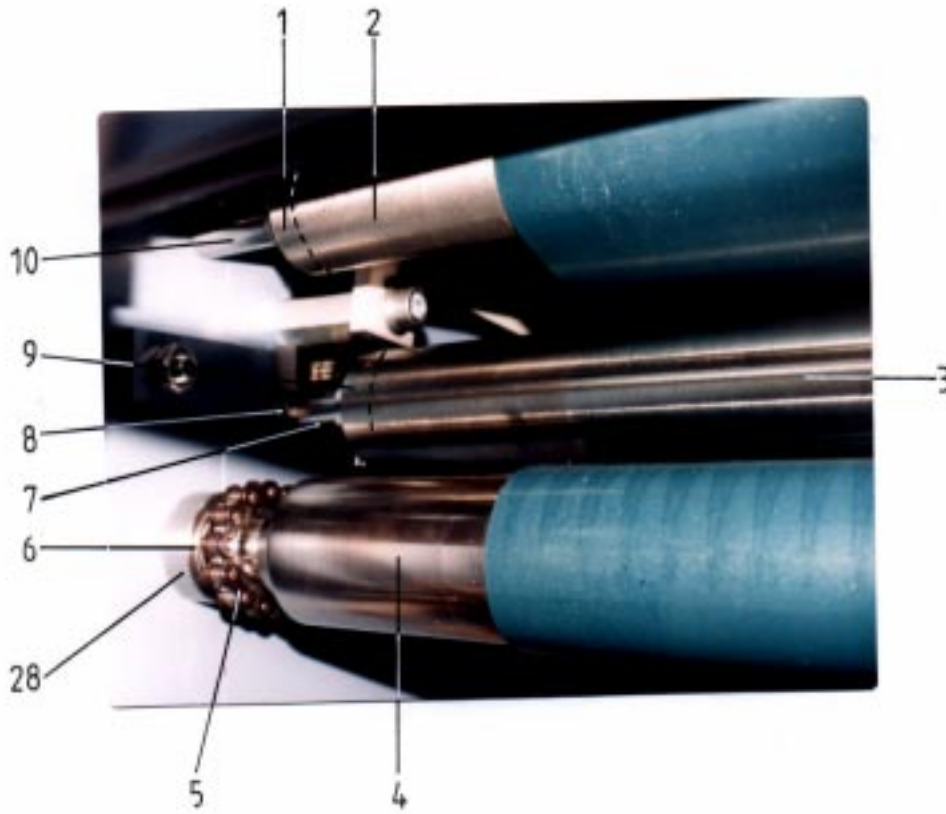
| | | | | | |
|----|--------------------------------|--|-----------------------------|-----------------------|------------------|
| 01 | Klemmhebel | handle | levier de serrage | 00100641 | (GN500-80-M10) |
| 02 | Band | tape | cordon | 00107085 | (450 x 3210) |
| 03 | Drucktaste mit Schaltansatz | push bottom with push bottom socket | touche avec bloc contact | 00127100/ 00127027 | |
| 04 | Stellstück | adj. part | piece de reglage | 1.0.3212.011 | |
| 05 | Schlauch | hose | tuyau | 00105026 | EVK 21 (2300mm) |
| 06 | Rändelhohlschraube | knurled screw | vis moletée | 00095851 | (GN421-M8-20) |
| 07 | Achse | bar | barre | 15.3400.51 | |
| 08 | Filtereinheit kpl. | filter kit cpl. | kit de filtre cpl. | 0099990 | (F110) |
| 09 | Luftfilter | airfilter | filtre de ar | 0100013 | (C1337) |
| 10 | Kugelhahn | air chocke | air robinet | 00085274 | (Typ 33 3/4") |
| 11 | Winkel | holder | support | 15.4160.00 | |
| 12 | Tür 4 Taschen FW | door 4 buckle unit | porte 4 poches groupe | 15.4161.08 | |
| | Tür 6 Taschen FW | door 6 buckle unit | porte 6 poches groupe | 15.4161.09 | |
| 13 | Scharnier - Hewi | hinge | charniere | 00084462 | (BD 20 5T) |
| 14 | Bandwalze | tape roller | tube de cordon | 15.3224.51 | |
| 15 | Stellring | collar | bague | 0088344.5 | (DIN705 A20) |
| 16 | Achse | shaft | arbre | 15.3221.51 | |
| 17 | Kordelgriff kpl. | grip cpl. | vis moletée | 00100268 | (GN534-32-M6) |
| | | | | 0091400.5 | (DIN939 M6 X 55) |
| 18 | Drehknopf | regulating knob | bouton de reglage | 00100511 | (GN526-37-B6) |
| 19 | Sechskantschraube | hexagon screw | vis | 0090431.5 | (M6 x 70 DIN933) |
| 20 | Rändelhohlmutter | knurled nut | ecrou moletée | 00095877 | (GN420-M6) |
| 21 | Bolzen | bolt | axe | 10.3725.02 | |
| 22 | Welle | shaft | arbre | 15.3221.56 | |
| 23 | Zylinderschraube | cylinder screw | vis | 0088658.5 | (M5 x 12 DIN912) |
| 24 | Blasrohr | blower tube | tuyau de souffleur | 15.3726.50 | |
| 25 | Halter | holder | support | 06.3743.01 | |
| 26 | Zylinderschraube | cylinder screw | vis | 0088658.5 | (M5 x 12 DIN912) |
| 27 | Lasche | holder | support | 10.3744.03 | |
| 28 | Rändelschraube | knurled screw | vis moletée | 0087866.5 | (M5 x 20 DIN653) |
| 29 | Stellblech | infeed plate | tôle | 15.3763.50 | |
| 30 | Band | tape | cordon | 00107002 | (450 x 2330) |



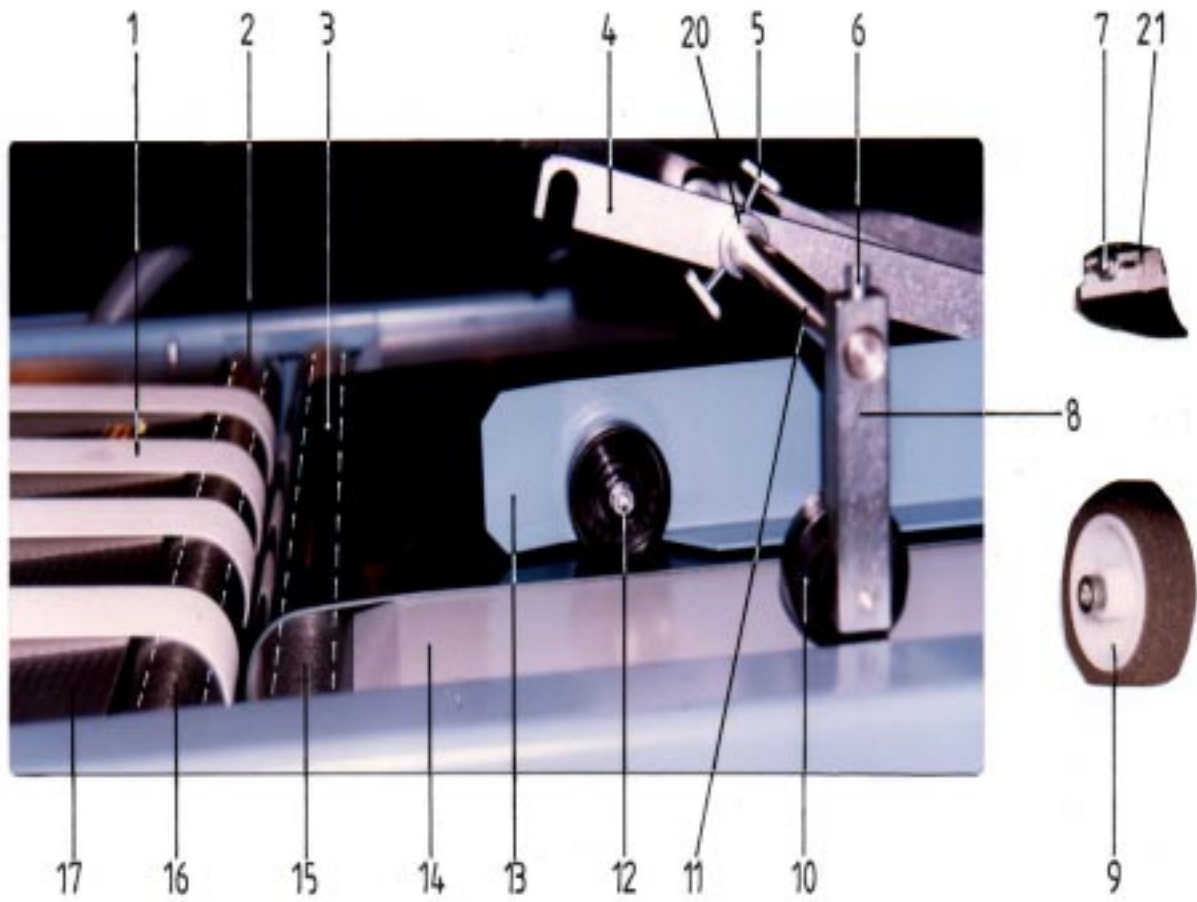
| | | | | | |
|----|-----------------------------------|-------------------------------|----------------------------------|--------------|-------------------|
| 01 | Schieber | adj. part | piece de reglage | 1.0.2444.320 | |
| 02 | Klemmhebel | handle | levier de serrage | 00100646 | (GN500-63-M8x20) |
| 03 | Winkellichttaster | photocell | cellule | 00131474 | |
| 04 | Pratze | clamp plate | piece de serrage | 10.3444.10 | |
| 05 | Band | tape | cordon | 00107085 | (450 x 3210) |
| 06 | Bandwalze | tape roller | tube de cordon | 15.3224.50 | |
| 07 | Winkel | bar | barre | 15.3353.50 | |
| 08 | Bandwalze | tape roller | tube de cordon | 15.3224.51 | |
| 09 | Leitblech | infeed plate | tôle | 15.3763.51 | |
| 10 | Ventilplatte | housing | abri | 1.0.2215.320 | |
| 11 | Scheibe | disc | disque | 01.2276.00 | 33 Zähne |
| 12 | Magnetventil | solenoid valve | electrovanne | 00129817 | MV330 |
| 13 | Leitblech | infeed plate | tôle | 15.3763.52 | |
| 14 | Halter | holder | support | 15.1144.54 | |
| 15 | Kugellager | ballbearing | roulement | 00109728 | (6004-2Z) |
| 16 | Zylinderschraube | cylinder screw | vis | 0088682.5 | (M5 x 20 DIN912) |
| 17 | Schutzhülse | guard | protection | 15.2226.50 | |
| 18 | Zylinderschraube | cylinder screw | vis | 0089094.5 | ((DIN912 M8 x 60) |
| 19 | Scheibe | washer | rondelle | 0095679.5 | (B8,4 DIN9021) |
| 20 | Feder | spring | ressort | 00103028 | (D285) |
| 21 | Verschlussstopfen | handle | levier | 1.0.2225.010 | |
| 22 | Schlauch | hose | tuyau | 0104990 | D20 |
| 23 | Welle | shaft | arbre | 15.3221.59 | |
| 24 | Verschlussfeder | clip | clip | 1.0.2386.011 | |
| 25 | Blasrohr | blower tube | tube de souffleur | 15.3726.50 | |
| 26 | Halter | holder | support | 06.3743.02 | |
| 27 | Scheibe | disc | disque | 01.2276.00 | |
| 28 | Zylinderschraube | cylinder screw | vis | 0088633.5 | (M5 x 8 DIN912) |
| 29 | Skala | scale | echelle graduée | 5.0.5673.010 | |
| 30 | Niederhalter kpl. | smoother cpl. | guide feuille cpl. | 15.4200.05 | |
| 31 | Niederhalter kpl. | smoother cpl. | guide feuille cpl. | 15.4200.03 | |
| 32 | Klemmhebel | handle | livier de reglage | 00100586 | (GN100-18M8-20) |
| 33 | Klemmstück | clamp | pièce de blocage | 4.0.3644.070 | |
| 34 | Stellstück | adj. part | pièce de reglage | 4.0.3644.060 | |
| 35 | Stift | pin | axe | 10.3425.09 | |
| 36 | Saugrad | suction wheel | dragage | 10.2200.351 | |
| | Pos. 32-35 Seitenanschlag kpl. | item. 32-35 side stop cpl. | pos. 32-35 butée lateral cpl. | 10.3400.31 | |



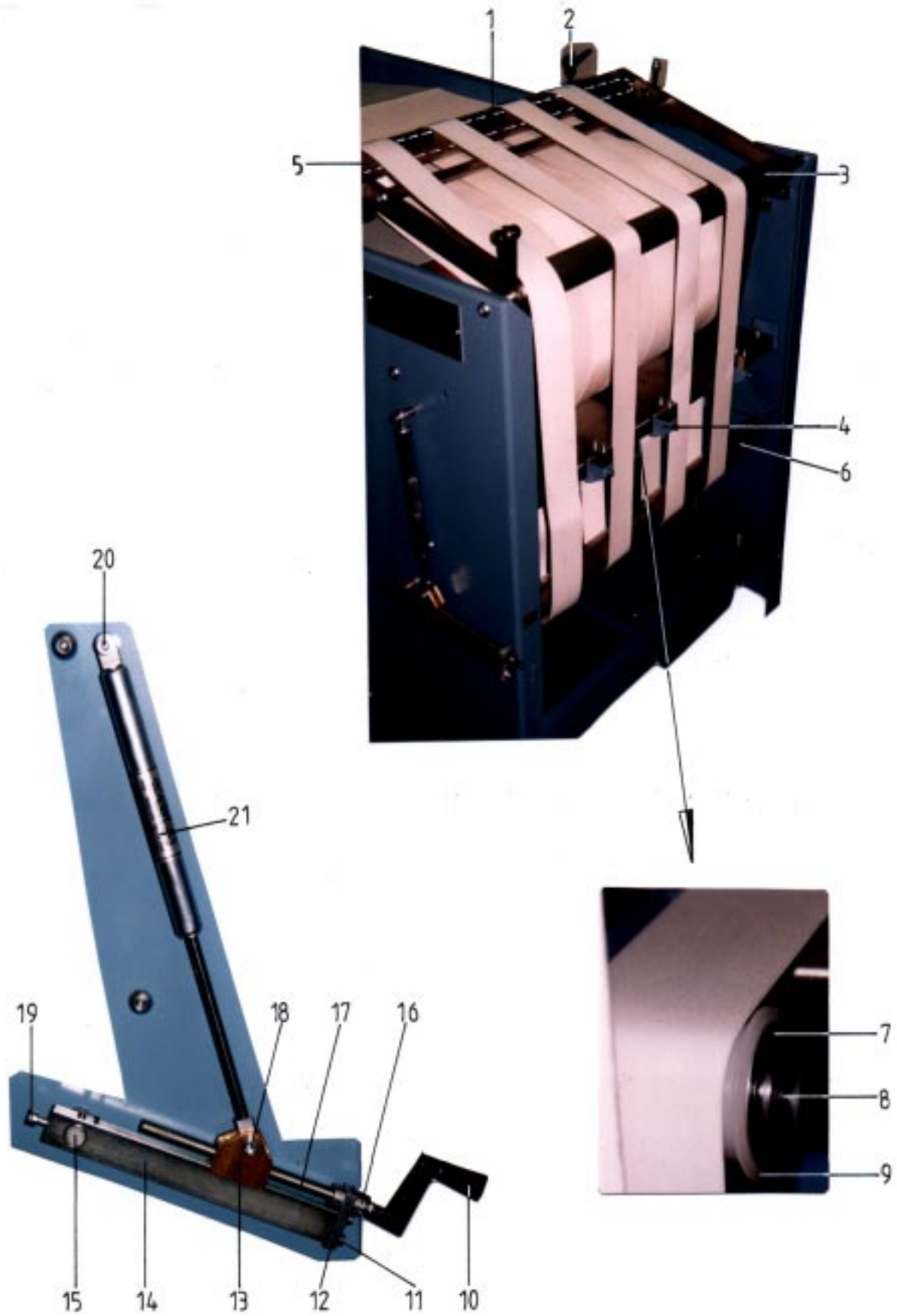
| | | | | | |
|----|------------------------------|------------------|----------------------|--------------|------------------|
| 01 | Taster | lever | levier | 10.3562.01 | |
| 02 | Lagerstück | bearing block | palier | 1.0.3544.010 | |
| 03 | Zugfeder | spring | ressort | 00102582 | (Z024 A7) |
| 04 | Zylinderschraube | cylinder screw | vis | 0085886.5 | (M4 x 30 DIN84) |
| 05 | Excenter | excenter | excentrique | 1.0.3525.020 | |
| 06 | Stellplatte | holder | support | 1.0.3544.021 | |
| 07 | Stange | bar | barre | 15.3521.50 | |
| 08 | Halter | holder | support | 10.3562.02 | |
| 09 | Analogwertgeber | inductiv analoge | detecteur inductivon | 00131507 | |
| 10 | Sicherungsscheibe | circlips | frein | 0094169.5 | (S4 DIN6799) |
| 11 | Bolzen | bolt | axe | 1.0.3525.010 | |
| 12 | Zylinderschraube | cylinder screw | vis | 0085761.5 | M4 x 6 DIN84) |
| 13 | Anschlag | sheet | butée | 10.3562.10 | |
| 14 | Seitenkanalverdichter | air pump | pompe pression | 0104357 | SKK33403-23-50Hz |
| | Seitenkanalverdichter | air pump | pompe pression | 0104358 | SKK33403-24-60Hz |
| 15 | Schlauchanschluss | hose connection | fixe de tuyau | 00084939 | (R1/2"x3/4") |
| 16 | Schlauch | hose | tuyau | 00105026 | (EVK21 2300mm) |
| 17 | Schlauch | hose | tuyau | 00105028 | (EVK42 750mm) |
| 18 | Schnecken- gewindeschelle | hose clamp | collier | 0105075 | |



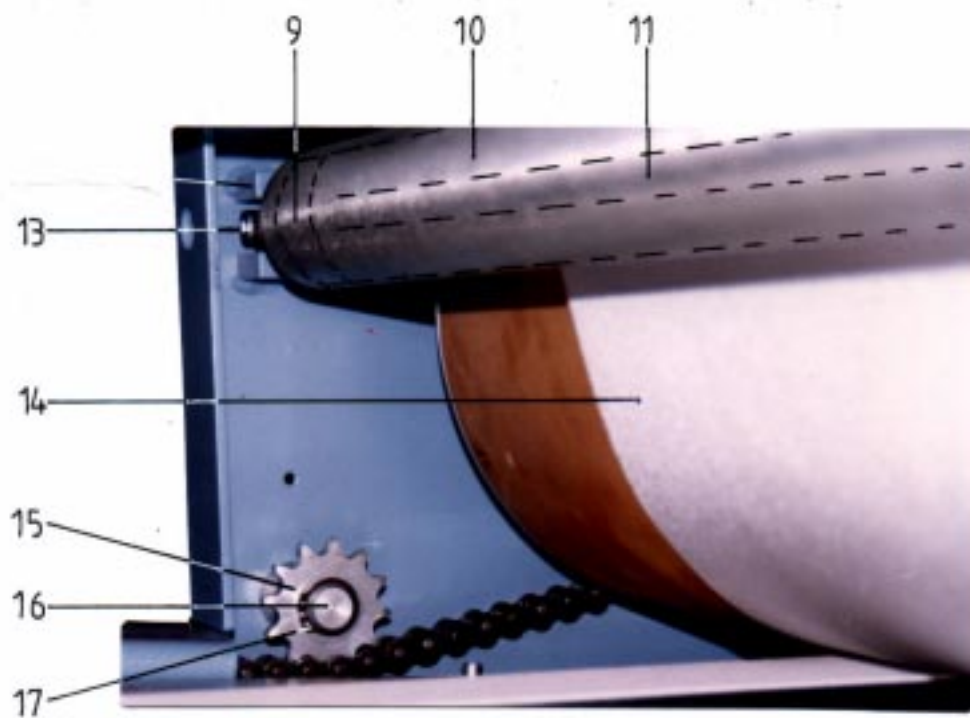
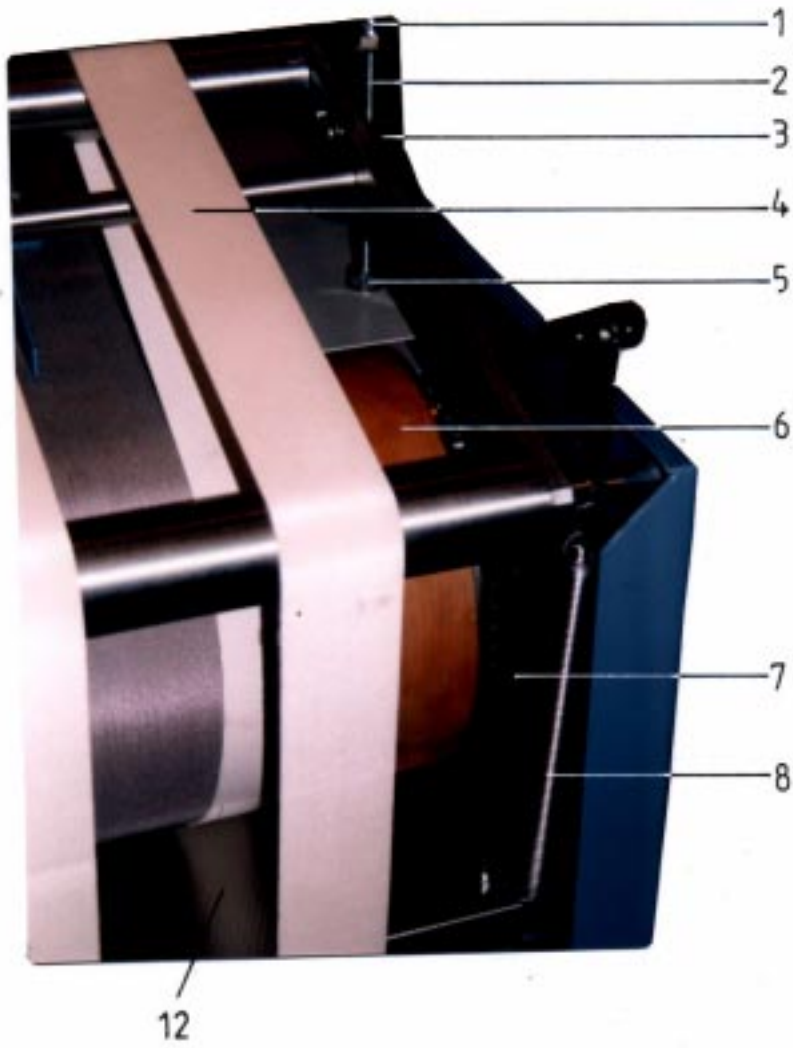
| | | | | | |
|--------------|-------------------|----------------|-------------------|--------------|-----------------|
| 1 | Kugellager | ball bearing | roulement | 00109728 | (6004-2Z) |
| 2 | Bandwalze | tape roller | tube de cordon | 15.3224.51 | |
| 3 | Bandwalze | tape roller | tube de cordon | 15.3224.50 | |
| 4 | Welle | shaft | arbre | 15.3221.56 | |
| 5 | Kettenrad | sprocket | pignon de chain | 08.3235.00 | |
| 6 | Kugellager | ball bearing | roulement | 0010928 | (6004-2Z) |
| 7 | Achse | shaft | arbre | 15.3221.54 | |
| 8 | Zylinderschraube | cylinder screw | vis cylindrique | 0089086.5 | (M8x55 DIN912) |
| 9 | Kugellager | ball bearing | roulement | 0010928 | (6004-2Z) |
| 10 | Achse | shaft | arbre | 15.3221.51 | |
| 11 | Leitblech | guide plate | tôle de guidage | 5.0.3661.020 | |
| 12 | Halter | holder | support | 17.3715.00 | |
| 13 | Rändelmutter | knurled nut | ecrou moletée | 0087155.5 | (M12x8 DIN 467) |
| 14 | Rändelschraube | knurled screw | vis moletée | 0087924.5 | (M6x30 DIN 653) |
| 15 | Rändelmutter | knurled nut | ecrou moletée | 0087148.5 | (M6 DIN 467) |
| 16 | Kugellager | ball bearing | roulement | 00109736 | (6005-2Z) |
| 17 | Blasrohr | blower tube | tube de souffleur | 5.0.3600.270 | |
| 18 | Blech | plate | tôle | 5.0.3662.020 | |
| 19 | Feder | spring | ressort | 00102798 | (D180) |
| 20 | Gewicht | weight | poids | 10.3629.20 | |
| 28 | Lagerschale | housing | abri | 30 320 010 | |
| 11-20 | Pendelbläser kpl. | blower cpl. | souffleur cpl. | 17.3700.14 | |



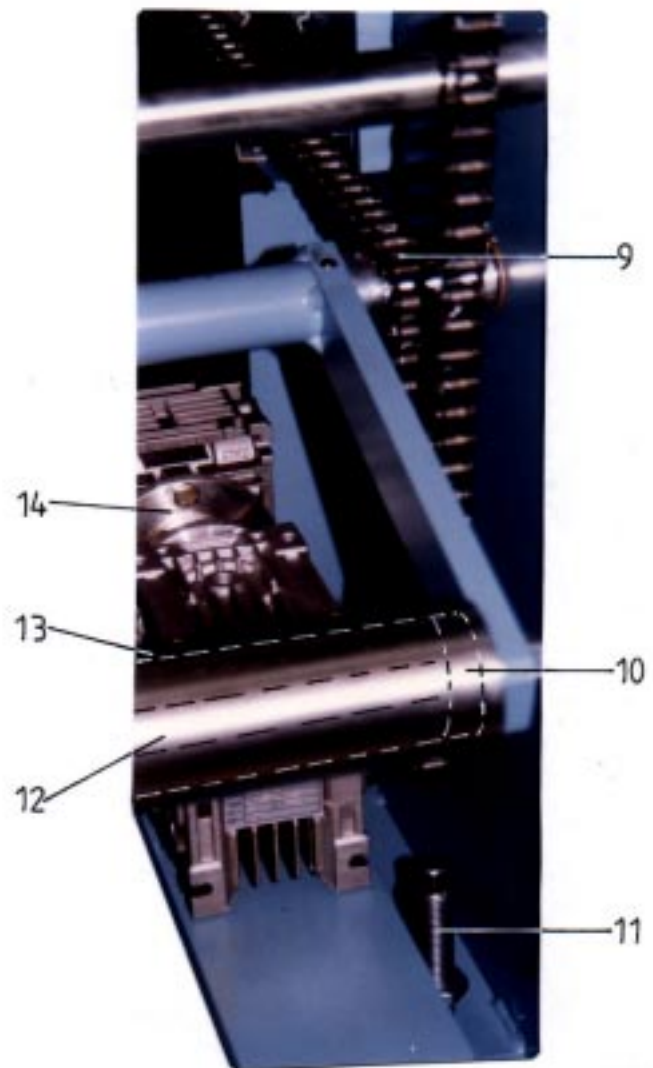
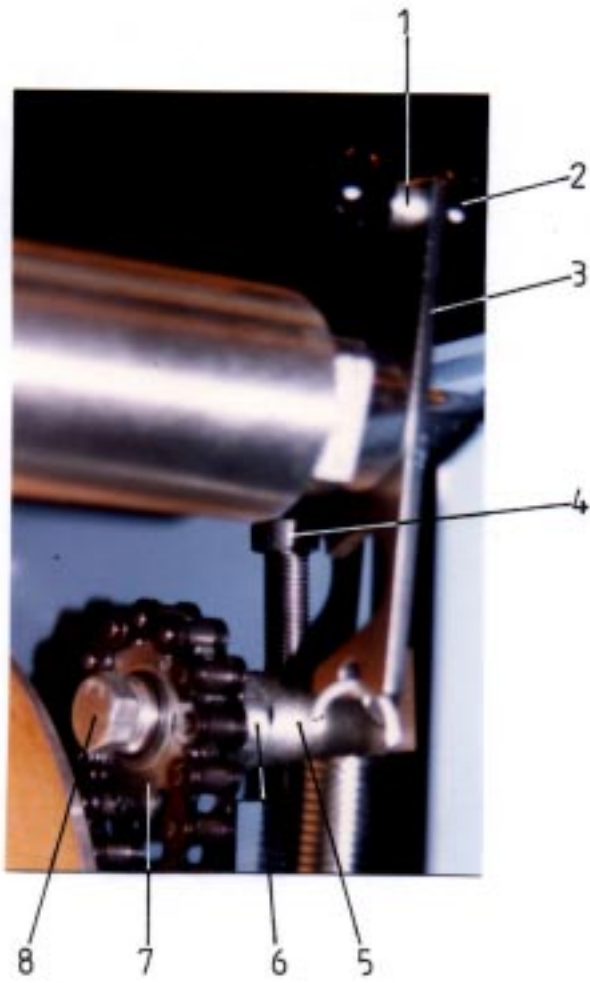
| | | | | | |
|----|-------------------------------|----------------------------------|------------------------------------|--------------|-------------------|
| 01 | Transportband | transport tape | cordon de transport | 00106978 | (60 x 3110) |
| 02 | Bandwalze | tape roller | tube de cordon | 15.3224.51 | |
| 03 | Bandwalze | tape roller | tube de cordon | 15.3224.51 | |
| 04 | Hebel | lever | levier | 15.3444.52 | |
| 05 | Rändelschraube | knurled screw | vis moletée | 0087890.5 | (M6 x 16 DIN653) |
| 06 | Zylinderschraube | cylinder screw | vis | 0088781.5 | (M6 x 10 DIN912) |
| 07 | Linsenschraube | screw | vis | 0096016.5 | (M6 x 30 ULS) |
| 08 | Stütze | holder | support | 15.3244.53 | |
| 09 | Rolle kpl. | roller cpl. | rouleau cpl. | 15.3400.56 | |
| 10 | Rolle | roller | rouleau | 00109504 | (ø 48mm) |
| 11 | Achse | bar | barre | 10.3421.03 | |
| 12 | Senkschraube | screw | vis | 0095463.5 | (M6 x 35 DIN7991) |
| 13 | Anschlag | sheet stop | butée | 15.3464.50 | |
| 14 | Leitblech | plate | tôle | 15.3263.51 | |
| 15 | Achse | shaft | arbre | 15.3221.51 | |
| 16 | Welle | shaft | arbre | 15.3221.58 | |
| 17 | Leitblech | plate | tôle | 15.3263.50 | |
| 18 | Klemmhebel | handle | levier de serrage | 00100586 | (GN100-18 M8x20) |
| 19 | Halter | holder | support | 5.0.3644.010 | |
| 20 | Stellring | collar | bague | 0088245.5 | (DIN705 A15) |
| 21 | Bürstenleiste | brush | brosse | 3.0.6943.010 | |
| | Pos. 2 + 16 Bandwalze kpl. | item. 2 + 16 tape roller cpl. | pos. 2 + 16 tube de cordon cpl. | 15.3200.52 | |



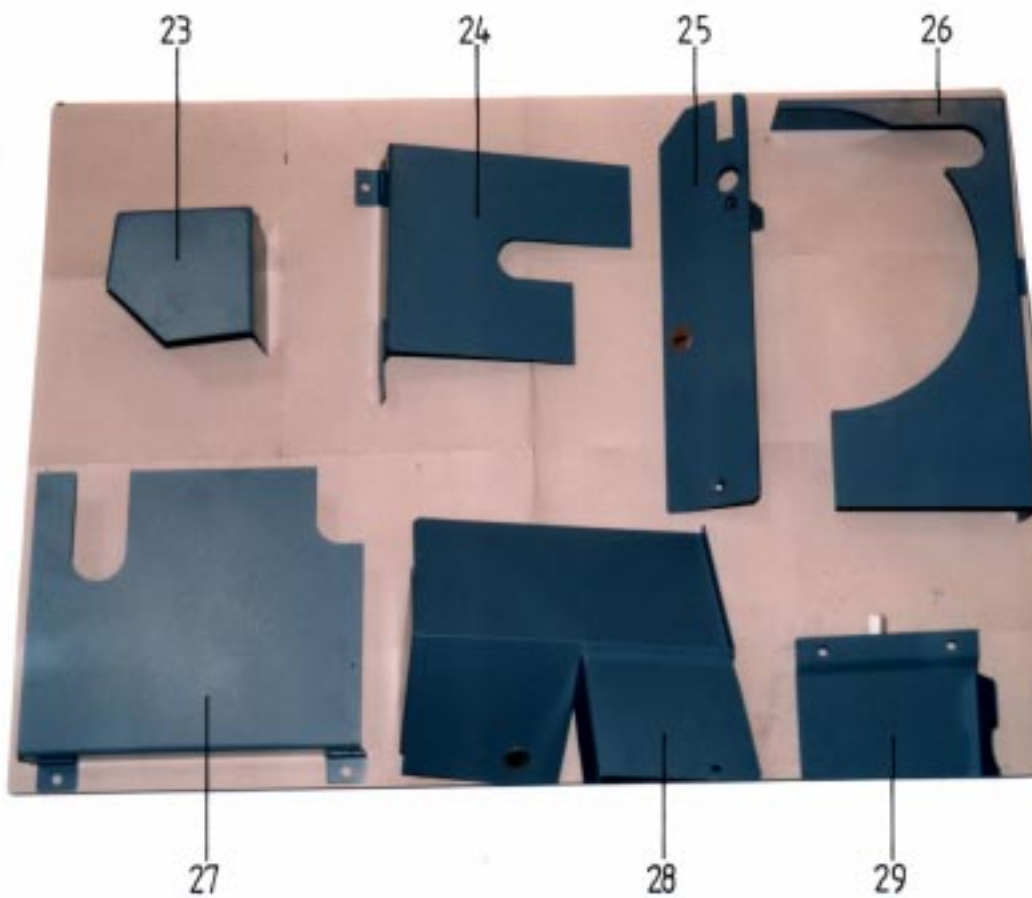
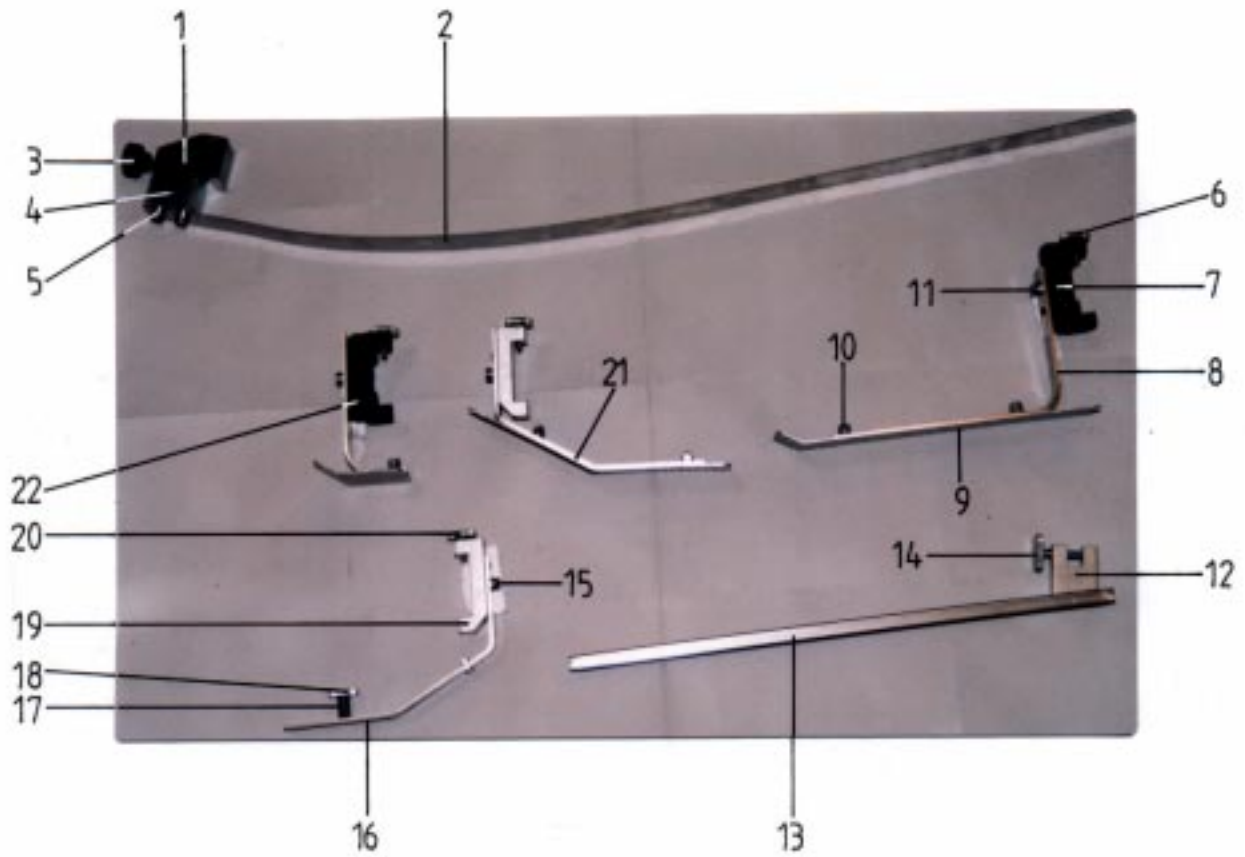
| | | | | | |
|----|-------------------|----------------|-----------------------|--------------|-------------------|
| 01 | Achse | shaft | arbre | 15.3221.52 | |
| 02 | Klemmhebel | handle | levier de serrage | 00100641 | (GN500 80-M10) |
| 03 | Bandwalze | tape roller | tube de cordon | 15.3224.50 | |
| 04 | Niederhalter kpl. | smoother cpl. | guide de feuille cpl. | 15.3200.24 | |
| 05 | Bandwalze | tape roller | tube de cordon | 15.3224.50 | |
| 06 | Bandwalze | tape roller | tube de cordon | 15.3224.50 | |
| 07 | Sicherungsring | circlips | frein | 00087312 | (30 x 1,5 DIN471) |
| 08 | Achse | shaft | arbre | 10.3221.27 | |
| 09 | Bandrolle | tape roller | roulette | 10.3232.01 | |
| 10 | Handkurbel-Elesa | handle | manivelle | 00111839 | (GN570-64V8) |
| 11 | Zylinderschraube | cylinder screw | vis | 0088823.5 | (M6 x 20 DIN912) |
| 12 | Lasche | holder | support | 1.0.3343.040 | |
| 13 | Stellstück | adj. part | piece de reglage | 1.0.3344.041 | |
| 14 | Hebel | lever | levier | 1.0.3341.320 | |
| 15 | Achse | shaft | arbre | 15.3221.57 | |
| 16 | Stellring | collar | bague | 0088195.5 | (DIN705 A10) |
| 17 | Stange | threaded bar | barre de vis | 1.0.3321.060 | |
| 18 | Zylinderschraube | cylinder screw | vis | 0088997.5 | (M8 x 20 DIN912) |
| 19 | Zylinderschraube | cylinder screw | vis | 0089003.5 | (M8 x 25 DIN912) |
| 20 | Zylinderschraube | cylinder screw | vis | 0089086.5 | (M8 x 55 DIN912) |
| 21 | Gasdruckfeder | gas pressure | spring verin | 0100085 | (400/300) |



| | | | | | |
|----|------------------|------------------|---------------------|--------------|------------------|
| 01 | Hutmutter | nut | ecrou | 0092171.5 | (M12 DIN986) |
| 02 | Stellschraube | adj. screw | vis de reglage | 10.3329.00 | |
| 03 | Auge | holder | support | 5.0.3344.020 | |
| 04 | Transportband | transport tape | cordon de transport | 00106978 | (60 x 3110) |
| 05 | Mutter | nut | ecrou | 0090910.5 | (M12 DIN934) |
| 06 | Trommel kpl. | tape roller cpl. | tambour cpl. | 15.3300.51 | |
| 07 | Rollenkette | chain | chaîne | 1/2" x 5/16" | 308 Glieder |
| 08 | Zugfeder | spring | ressort | 15.3282.51 | |
| 09 | Kugellager | ball bearing | roulement | 00109728 | (6004-2Z) |
| 10 | Bandwalze | tape roller | tube de cordon | 15.3224.50 | |
| 11 | Achse | shaft | arbre | 15.3221.54 | |
| 12 | Leitblech | plate | tôle | 15.3263.50 | |
| 13 | Zylinderschraube | cylinder screw | vis | 0089086.5 | (M8 x 55 DIN912) |
| 14 | Band | tape | cordon | 00107085 | (450 x 3210) |
| 15 | Kettenrad | sprocket | pignon de chaîne | 20 260 080 | |
| 16 | Bolzen | bolt | axe | 01.3225.00 | |
| 17 | Sicherungsring | circlips | frein | 00087247 | (20x1,2 DIN471) |



| | | | | | |
|----|---------------------|----------------|-------------------|--------------|------------------|
| 01 | Scheibe | disc | disque | 0086108.5 | (DIN125 α5,3) |
| 02 | Kugelknopf | ball knob | poignée | 00086504 | (DIN319 KU20) |
| 03 | Lasche | holder | support | 15.3244.54 | |
| 04 | Zylinderschraube | cylinder screw | vis | 0089078.5 | (M8 x 50 DIN912) |
| 05 | Spannhebel | tension lever | levier de tendeur | 15.3244.51 | |
| 06 | Bolzen | bolt | axe | 5.0.3225.020 | |
| 07 | Kettenrad | sprocket | pignon de chaine | 20 260 080 | |
| 08 | Sechskantschraube | hexagon screw | vis | 0090555.5 | (M8 x 50 DIN933) |
| 09 | Rollenkette | chain | chaîne | 1/2" x 5/16" | 308 Glieder |
| 10 | Kugellager | ball bearing | roulement | 0010928 | (6004-2Z) |
| 11 | Stellschraube | adj. screw | vis de réglage | 15.3129.00 | |
| 12 | Achse | shaft | arbre | 15.3221.52 | |
| 13 | Bandwalze | tape roller | tube de cordon | 15.3224.50 | |
| 14 | Doppelgetriebemotor | motor | moteur | 00104036 | |



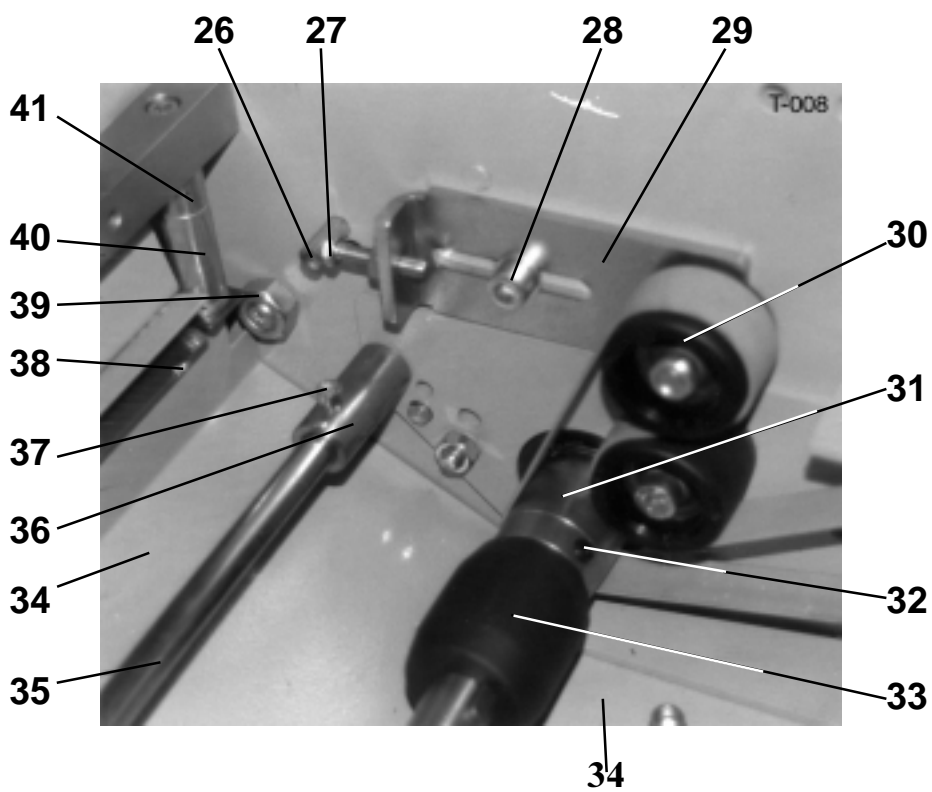
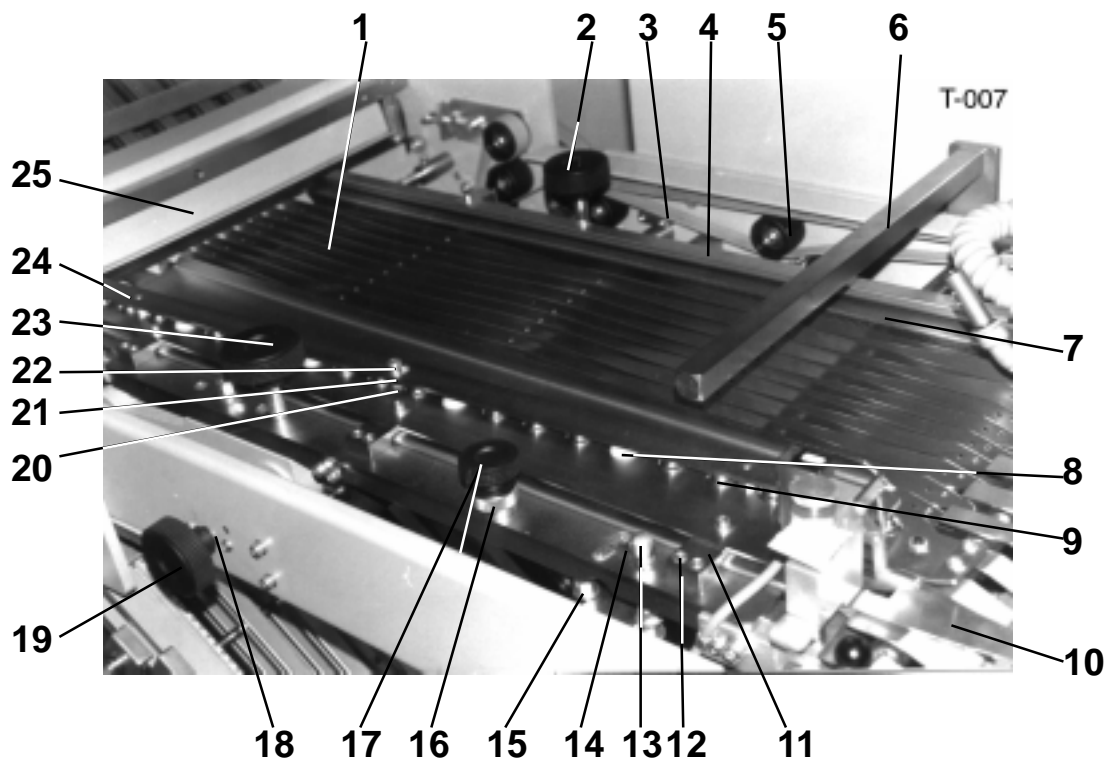
| | | | | | |
|----|-------------------|----------------|--------------------|--------------|------------------|
| 01 | Halter | holder | support | 10.3244.23 | |
| 02 | Band | tape | guide feuille | 15.3202.50 | |
| 03 | Rändelhohlmutter | knurled nut | ecrou moletée | 00095877 | (GN420 M6) |
| 04 | Distanz | distance | distance | 15.3244.55 | |
| 05 | Zylinderschraube | cylinder screw | vis | 0088864.5 | (DIN912 M6 x 35) |
| 06 | Rändelschraube | knurled screw | vis moletée | 0087858.5 | (M5 x 16 DIN653) |
| 07 | Haltebügel | holder | support | 2.0.2414.010 | |
| 08 | Niederhalter | smoother | guide feuille | 35.2444.05 | |
| 09 | Leitzunge | smoother | guide feuille | 35.2462.01 | |
| 10 | Hutmutter | nut | ecrou | 0090070.5 | (DIN917 M5) |
| 11 | Zylinderschraube | cylinder screw | vis | 0088658.5 | (DIN912 M5 x 12) |
| 12 | Halter | holder | support | 10.3644.01 | |
| 13 | Leitschiene | rail | guide | 08.3653.00 | |
| 14 | Rändelschraube | knurled screw | vis moletée | 0087890.5 | (M6 x 16 DIN653) |
| 15 | Zylinderschraube | cylinder screw | vis | 0088658.5 | |
| 16 | Niederhalter | smoother | guide feuille | 15.3485.52 | |
| 17 | Feder | spring | ressort | 00102772 | (D165 C) |
| 18 | Rändelschraube | knurled screw | vis moletée | 0087858.5 | DIN653 M5 x 16) |
| 19 | Halter | holder | support | 15.3444.51 | |
| 20 | Rändelschraube | knurled screw | vis moletée | 0087858.5 | |
| 21 | Niederhalter kpl. | smoother cpl. | guide feuille cpl. | 15.3400.53 | |
| 22 | Niederhalter kpl. | smoother cpl. | guide feuille cpl. | 10.2400.15 | |
| 23 | Deckel | guard | protection | 15.3262.50 | |
| 24 | Schutzhaube | guard | protection | 15.3161.53 | |
| 25 | Deckel | guard | protection | 15.3164.55 | |
| 26 | Schutzhaube | guard | protection | 15.3161.52 | |
| 27 | Schutzhaube | guard | protection | 15.3161.51 | |
| 28 | Schutzhaube | guard | protection | 15.3261.51 | |
| 29 | Schutzhaube | guard | protection | 15.3261.52 | |

| | | | |
|-------------------|---------------|--------------------|------------|
| Pos. 1-5 | item. 1-5 | pos. 1-5 | |
| Niederhalter kpl. | smoother cpl. | guide feuille cpl. | 15.3200.24 |

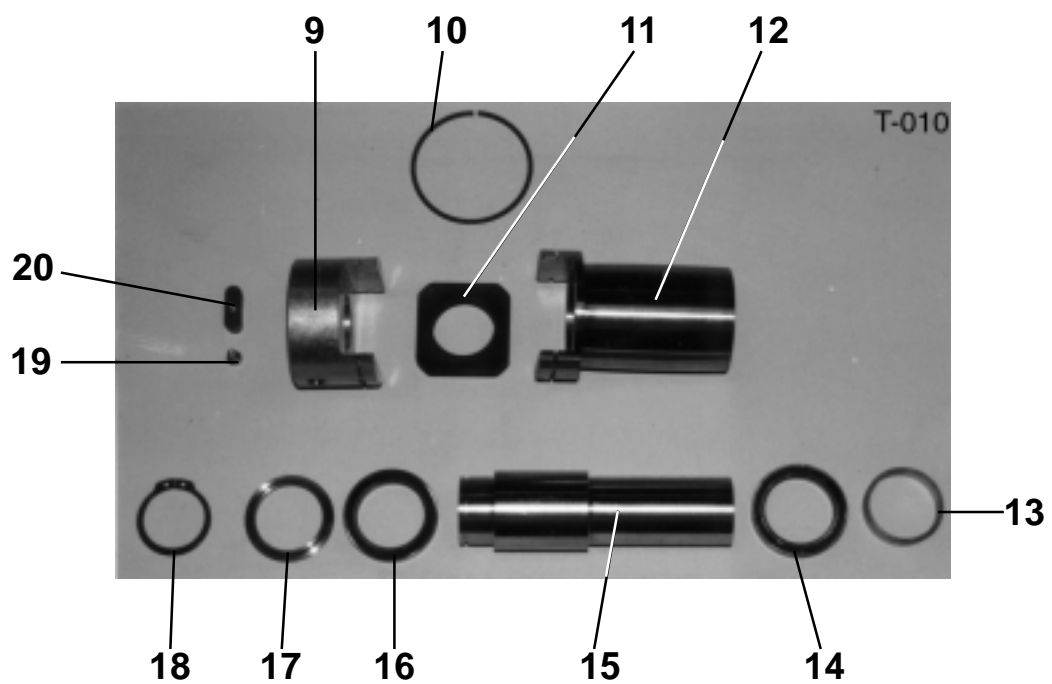
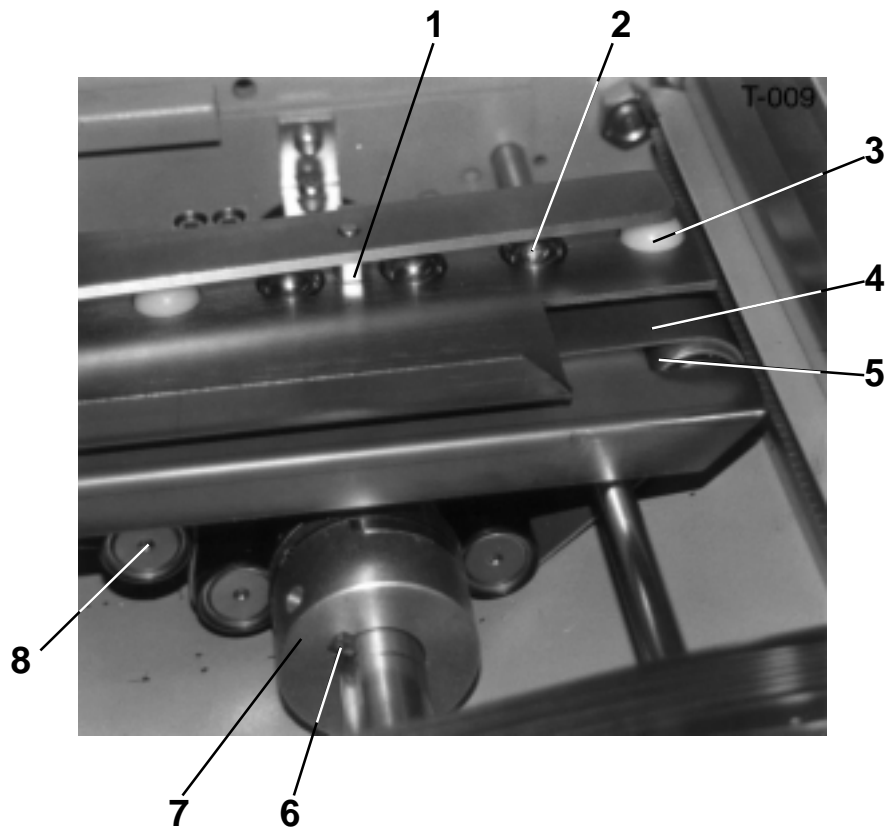
| | | | |
|-------------------|---------------|--------------------|------------|
| Pos. 6-11 | item. 6-11 | pos. 6-11 | |
| Niederhalter kpl. | smoother cpl. | guide feuille cpl. | 10.2400.09 |

| | | | |
|------------------|-------------|------------|------------|
| Pos. 12-14 | item. 12-14 | pos. 12-14 | |
| Leitschiene kpl. | rail cpl. | guide cpl. | 15.3600.51 |

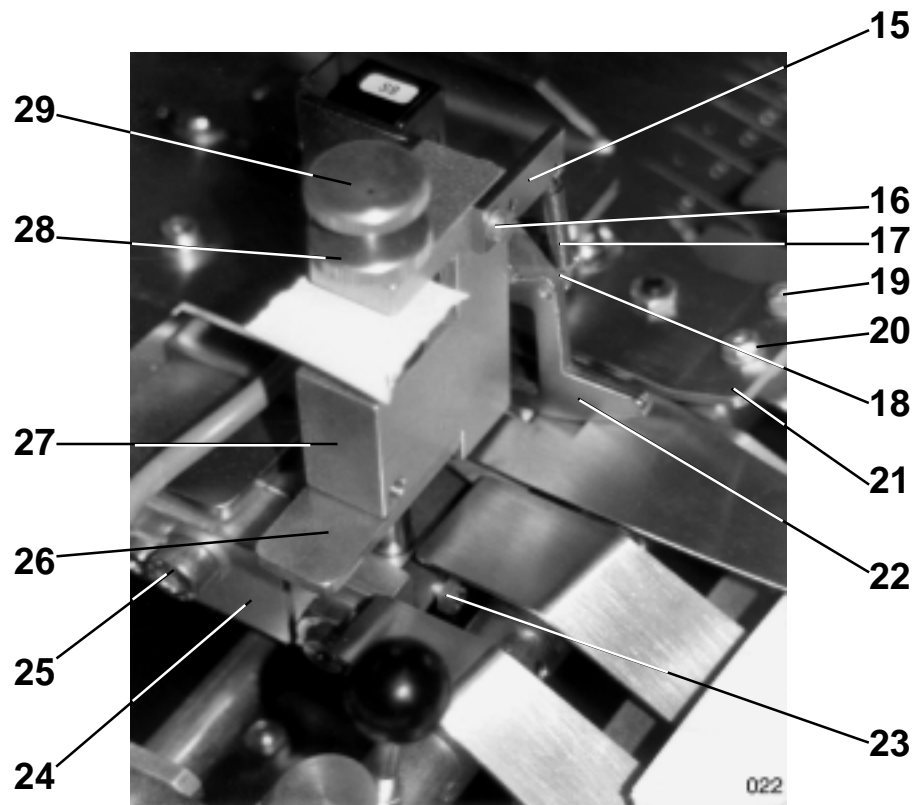
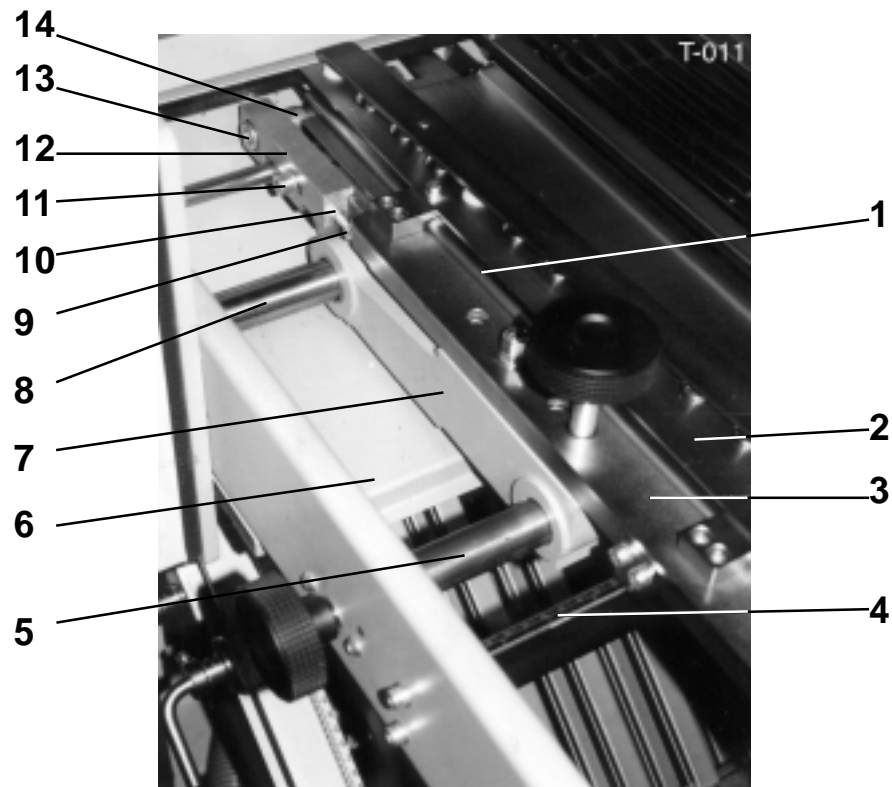
| | | | |
|-------------------|---------------|--------------------|------------|
| Pos. 15-20 | item. 15-20 | pos. 15-20 | |
| Niederhalter kpl. | smoother cpl. | guide feuille cpl. | 15.3400.52 |



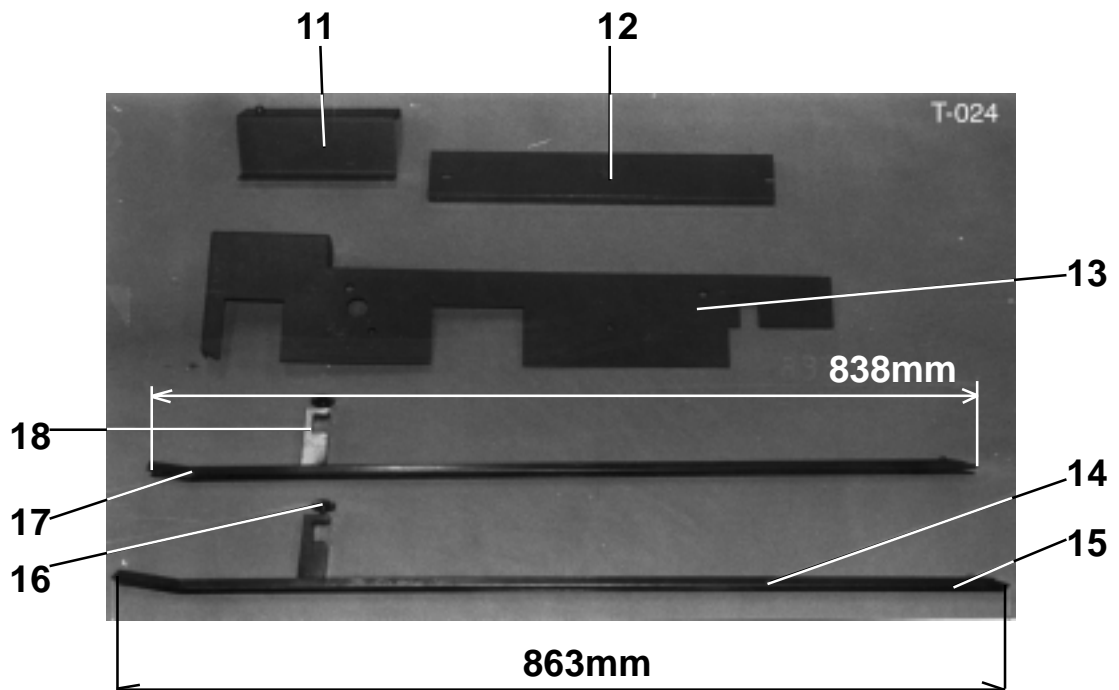
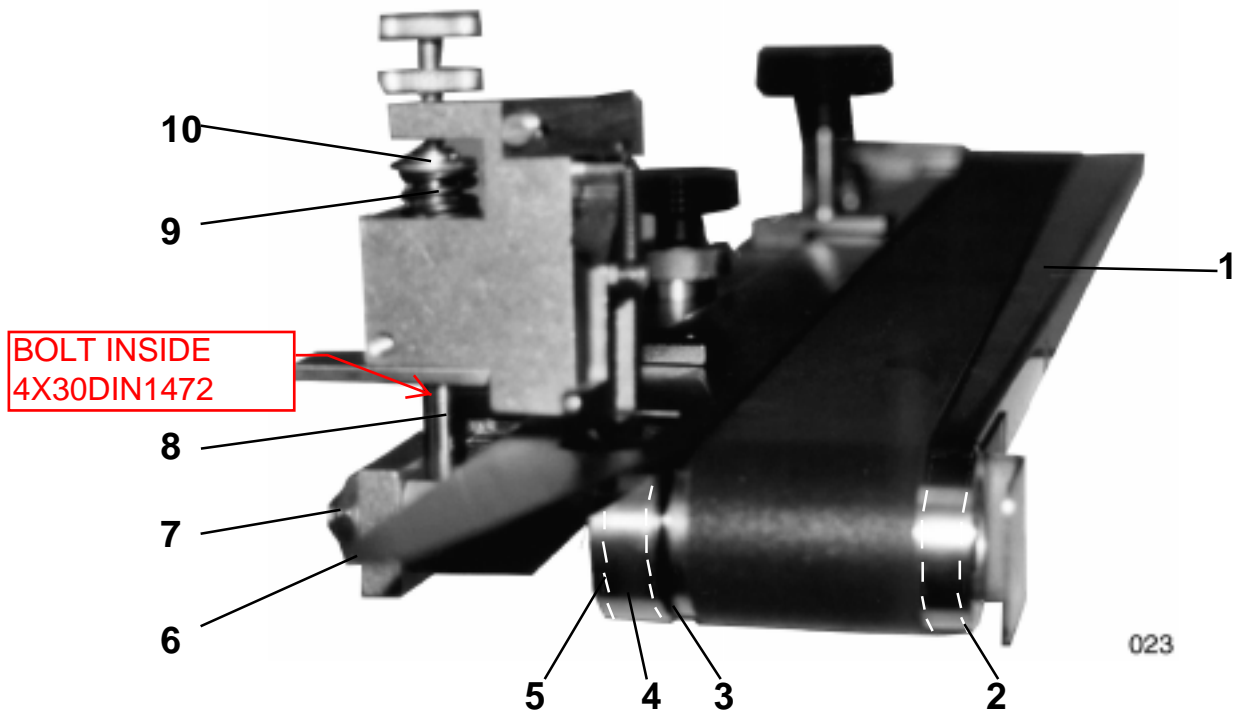
| | | | | | |
|-----------|-------------------|------------------|---------------------|--------------|-----------------|
| 01 | Jalousie Kpl. | lamella cpl. | jalousie cpl. | 35.4400.01 | |
| 02 | Stellschraube | adjustment screw | vis de reglage | 10.4200.02 | |
| 03 | Band | flat belt | courroie | 00105890 | (20x2280 NE-21) |
| 04 | Niederhalter | smoother | guide feuille | 21.4253.02 | |
| 05 | Bandspannrolle | tape roller | poulie | 00111781 | (F56.202) |
| 06 | Träger | bar | barre | 21.4141.01 | |
| 07 | Leitschiene | side guide | guide lateral | 21.4263.01 | |
| 08 | Kunststoffkugel | plastic ball | bille plastique | 00110288 | (D20) |
| 09 | Stahlkugel | steel ball | bille acier | 00110262 | (D20) |
| 10 | Leitschiene | ball bar | abat feuille | 21.4263.00 | |
| 11 | Halter | holder | support | 1.0.4244.330 | |
| 12 | Zylinderschraube | cylinder screw | vis | 0088641.5 | (M5x10 DIN912) |
| 13 | Hutmutter | nut | ecrou | 0090084.5 | (M8 DIN917) |
| 14 | Zeiger | indicator | indicateur | 0087062 | (8,4 DIN463) |
| 15 | Mutter | nut | ecrou | 0094094.5 | (M8 DIN6331) |
| 16 | Exzentergriff | excenter grip | ecrou excentrique | 1.0.4229.300 | |
| 17 | Kordelgriff | knurled grip | ecrou moletée | 00100266 | (GN534-40-M8SW) |
| 18 | Sicherungsscheibe | circlips | circlips | 0094219.5 | (9 DIN6799) |
| 19 | Kordelgriff | knurled grip | ecrou moletée | 35.4230.01 | |
| 20 | Mutter | nut | ecrou | 0086850.5 | (BM6 DIN439) |
| 21 | Druckfeder | spring | ressort | 50 480 020 | |
| 22 | Zylinderschraube | cylinder screw | vis | 0088815.5 | (M6x18 DIN912) |
| 23 | Stellschraube | adjustment screw | vis de reglage | 10.4200.02 | |
| 24 | Deckleiste | cover strip | couvre-joint | 35.4241.05 | |
| 25 | Einlaufblech | infeed plate | tôle | 21.5163.00 | |
| 26 | Zylinderkerbstift | pin | goupille | 0092833.5 | (M8x28 DIN1470) |
| 27 | Sechskantschraube | hexagon screw | vis à six pans | 0090399.5 | (M6x35 DIN933) |
| 28 | Zylinderschraube | cylinder screw | vis | 0088989.5 | (M8x16 DIN912) |
| 29 | Halter | holder | support | 35.5244.05 | |
| 30 | Bandspannrolle | tape roller | poulie | 00111781 | (F56.202) |
| 31 | Riemenscheibe | pulley | poulie | 15.5232.07 | |
| 32 | Gewindestift | screw | vis | 0089706.5 | (M8x6 DIN913) |
| 33 | Kupplungsstück | coupling | accouplement | 01.5200.15 | |
| 34 | Schutzblech | guard | protection | 21.4161.02 | |
| 35 | Stange | bar | barre | 21.4121.01 | |
| 36 | Büchse | bush | disque | 1.0.4126.010 | |
| 37 | Zylinderschraube | cylinder screw | vis | 0088641.5 | (M5x10 DIN912) |
| 38 | Einlaublech | infeed plate | tôle d'introduction | 21.5163.01 | |
| 39 | Mutter | nut | ecrou | 0090910.5 | (M12 DIN 934) |
| 40 | Distanzhülse | distance | distance | 10.5128.00 | |
| 41 | Distanzhülse | distance | distance | 10.5128.01 | |



| | | | | |
|---------------------------------|-----------------------------------|--------------------------------|--------------|-----------------|
| 01 Bolzen | bolt | axe | 10 340 070 | |
| 02 Stahlkugel | steel ball | bille acier | 00110262 | (D20) |
| 03 Kunststoffkugel | plastic ball | bille plastique | 00110288 | (D20) |
| 04 Band | tape | courroie | 00106924 | (50x2100) |
| 05 Bandrolle | tape roller | roulette | 1.0.4232.031 | |
| Bandrolle mit Führungsrolle | tape roller cpl. | roulette cpl. | 00111773 | (F31643) |
| 06 Paßfeder | key | clavette | 5.0.4243.010 | |
| 07 Kupplungsklaue | coupling part | demi-accouplement | 5.0.4227.011 | |
| 08 Führungsrolle | bearing part | roulement | 00111773 | (F31643) |
| 09 Kupplungsklaue | coupling part | demi-accouplement | 5.0.4227.011 | |
| 10 Ring | circlips | frein | 00101402 | (SW55) |
| 11 Kupplungsstück | coupling part | demi-accouplement | 5.0.4244.011 | |
| 12 Bandrolle | tape roller | roulette | 1.0.4232.340 | |
| 13 Distanzring | distance ring | distance | 1.0.4228.020 | |
| 14 Rillenkugellager | ball bearing | roulement | 00109918 | (61806 - 2RZ) |
| 15 Lagerhülse | shaft | arbre | 1.0.4226.320 | |
| 16 Rillenkugellager | ball bearing | roulement | 00109918 | (61806 - 2RZ) |
| 17 Distanzring | distance ring | distance | 5.0.4228.010 | |
| 18 Sicherungsring | circlips | frein | 00087312 | (30x1,5 DIN471) |
| 19 Zylinderschraube | cylinder screw | vis cylindrique | 0088583.5 | (M4x10 DIN912) |
| 20 Paßfeder | key | clavette | 5.0.4243.010 | |
| Pos. 9-20 Bandrolle Kpl. | pos. 9-20 tape roller cpl. | pos. 9-20 roulette cpl. | 1.0.4200.300 | |



| | | | | | |
|-------------------------------|-------------------|-------------------------------|-------------------------------|--------------|-----------------|
| 01 | Leitschiene | guide bar | abat feuille | 21.4263.00 | |
| 02 | Kugelleiste | ball bar | barre à bille | 21.4262.00 | |
| 03 | Leiste | bar | barre | 21.4241.00 | |
| 04 | Maßstab | scale | echelle graduée | 21.4173.00 | |
| 05 | Führungsstange | bar | barre | 21.4121.00 | |
| 06 | Schutzblech | guard | protection | 21.4161.02 | |
| 07 | Stellstück | adjustment part | pièce de réglage | 1.0.4211.330 | |
| 08 | Handradwelle | handwheel shaft | arbre | 21.5221.00 | |
| 09 | Sechskantschraube | hexagon screw | vis | 0090399.5 | (M6x35 DIN933) |
| 10 | Mutter | nut | écrou | 0090852.5 | (M6 DIN934) |
| 11 | Zylinderschraube | cylinder screw | vis | 0089003.5 | (M8x25 DIN912) |
| 12 | Rollenhalter | holder | support | 35.4244.03 | |
| 13 | Zylinderschraube | cylinder screw | vis | 0089300.5 | (M12x40 DIN912) |
| 14 | Distanzhülse | distance | distance | 60 290 041 | |
| 15 | Lasche | holder | support | 10 490 150 | |
| 16 | Zylinderschraube | cylinder screw | vis | 0085795.5 | (M4x10 DIN84) |
| 17 | Schraubenzugfeder | spring | ressort | 20 480 181 | |
| 18 | Zylinderschraube | cylinder screw | vis | 0085670.5 | (M3x12 DIN84) |
| 19 | Senkschraube | screw | vis | 0095240.5 | (M4x8 DIN7991) |
| 20 | Mutter | nut | écrou | 0090837.5 | (M4 DIN934) |
| 21 | Einlaufblech | infeed plate | tôle d'introduction | 35.4262.06 | |
| 22 | Stellscheibe | disc | disque | 10 300 042 | |
| 23 | Sechskantschraube | hexagon screw | vis | 0090233.5 | (M5x10 DIN933) |
| 24 | Rollenhalter | holder | support | 1.0.4244.370 | |
| 25 | Zylinderschraube | cylinder screw | vis | 0089003.5 | (M8x25 DIN912) |
| 26 | Abdrückhebel | lever | levier | 2.0.4543.011 | |
| 27 | Lagerblock | bearing block | abri | 1.0.4544.300 | |
| 28 | Rändelmutter | knurled nut | écrou moletée | 0087148.5 | (M6 DIN467) |
| 29 | Rändelschraube | knurled screw | vis moletée | 0087916.5 | (M6x25 DIN653) |
| Pos.15-18 + 22 + 26-29 | | pos.15-18 + 22 + 26-29 | pos.15-18 + 22 + 26-29 | | |
| Doppelbogensperre Kpl. | | double sheet control cpl. | arrêt double-feuille cpl. | 1.0.4500.300 | |



| | | | | |
|---|---|--|--------------|-------------------|
| 01 Leitschne | guide bar | abat feuille | 21.4263.00 | |
| 02 Kugellager | ball bearing | roulement | 00109637 | (6001 DIN625) |
| 03 Tellerfeder | disc spring | ressort de disque | 5.0.4283.010 | |
| 04 Rolle | roller | roulette | 5.0.4231.010 | |
| 05 Kugellager | ball bearing | roulement | 00109686 | (6003 -2Z DIN625) |
| 06 Mutter | nut | ecrou | 0090910.5 | (M12 DIN934) |
| 07 Lagerbolzen | bolt | axe | 5.0.4225.011 | |
| 08 Lagerbolzen | bolt | axe | 2.0.4525.010 | |
| 09 Druckfeder | spring | ressort | 20 480 150 | |
| 10 Scheibe | washer | disque | 0086132.5 | (10,5 DIN125) |
| 11 Schutzblech | guard | protection | 21.4161.01 | |
| 12 Schutzblech | guard | protection | 21.4161.00 | |
| 13 Schutzblech | guard | protection | 21.4161.03 | |
| 14 Niederhalter | smoother | guide feuille | 35.4253.05 | |
| 15 Zylinderschraube | cylinder screw | vis | 0088567.5 | (M4x6 DIN912) |
| 16 Rändelschraube | knurled screw | vis moletée | 0087890.5 | (M6x16 DIN653) |
| 17 Niederhalter | smoother | guide feuille | 21.4200.01 | |
| 18 Halter | holder | support | 1.0.4244.300 | |
| | | | | |
| Pos. 2-7 Bandrolle Kpl. | pos. 2-7 tape roller cpl. | pos. 2-7 roulette cpl. | 5.0.4200.100 | |
| | | | | |
| Pos. 14-16 + 18 Niederhalter Kpl. | pos. 14-16 + 18 smoother cpl. | pos. 14-16 + 18 guide feuille cpl. | 21.4200.00 | |
| | | | | |
| Pos. 16-18 Niederhalter Kpl. | pos. 16-18 smoother cpl. | pos. 16-18 guide feuille cpl. | 21.4200.01 | |

