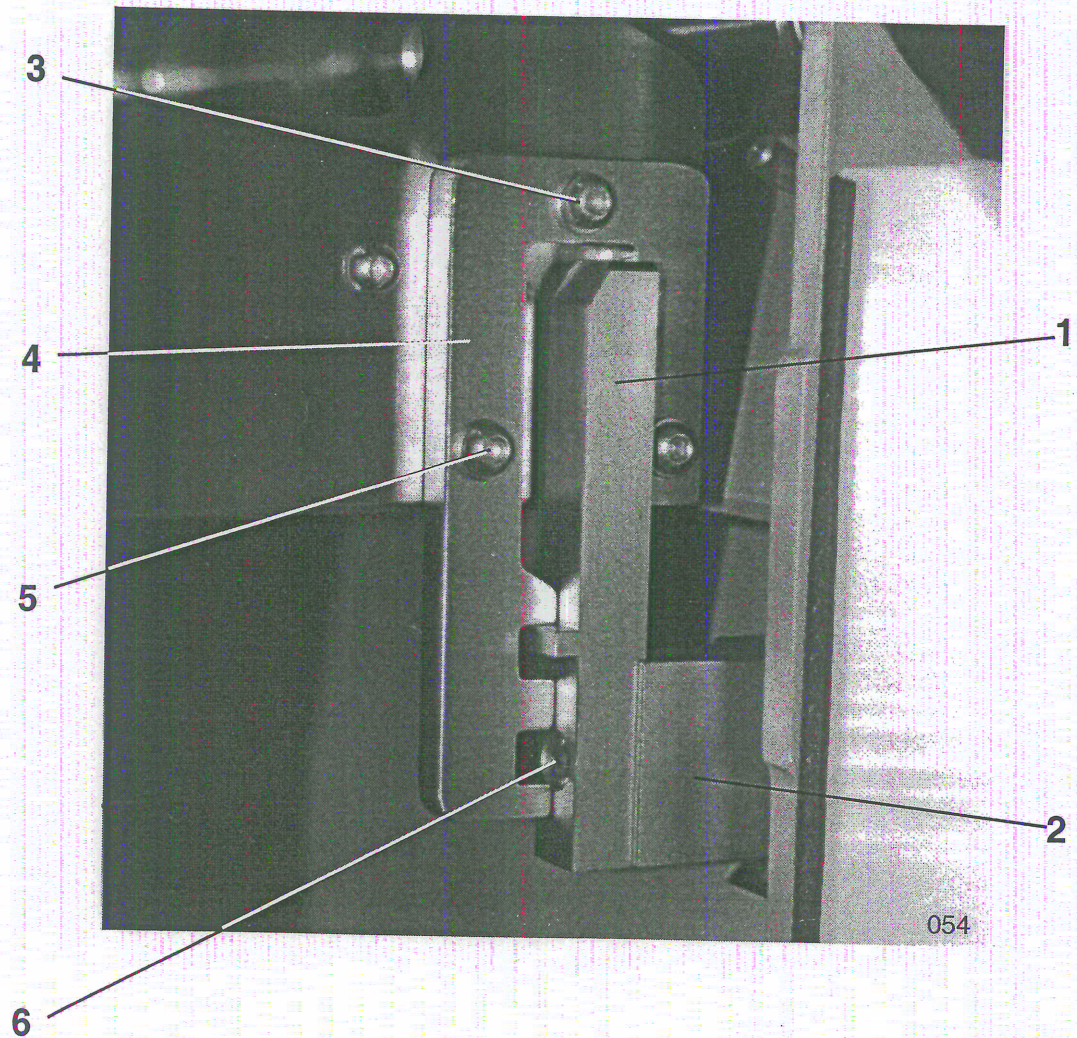


01	cylinder screw	0088963.5	(M8x12 DIN912)
02	tape roller cpl.	35.8500.10	(SE 380)
	tape roller cpl.	35.8500.12	(SE 460)
03	lever	81.8562.00	
04	side frame right side	35.8561.09	
05	wheel	81.8503.00	
06	knurled screw	0087916.5	(M6x25 DIN653)
07	holder	35.8544.01	
08	side frame left side	35.8561.08	
09	tape	00106991	(75x1,8x845)
10	knurled screw	0087908.5	(M6x20 DIN653)
11	guide bar	81.8562.01	
12	bar	35.8521.00	(SE 380)
	bar	35.8521.02	(SE 460)
13	guide plate	35.8521.00	(SE 380)
	guide plate	35.8521.02	(SE 460)
14	guide plate	35.8561.04	(SE 380)
		35.8561.06	(SE 460)
15	tape roller cpl.	35.8500.14	(SE 380)
	tape roller cpl.	35.8500.16	(SE 460)
16	screw	0095992.5	(M6x16 ULS)
17	motor plate	35.8561.10	
18	cylinder screw	008831.5	(M6x22 DIN912)
19	motor	00104083	(SN5Gi=38:1)
20	shaft	35.8521.08	(SE 380)
	shaft	35.8521.10	(SE 460)
21	screw	0095933.5	(M5x8 ULS)
22	brush cpl.	35.8500.18	(SE 380)
	brush cpl.	35.8500.20	(SE 460)
23	toothed pulley	35.8536.00	
24	toothed belt	00102385	(150xL037)
25	distance ring	81.8528.10	
26	knurled screw	00095828	(M6x20 GN421)
27	ball bearing	0109595	(6000-2Z)
28	spring	00094269	(A4x4xx14 DIN6885)

pos. 1-3+5+10+11
wheel cpl.

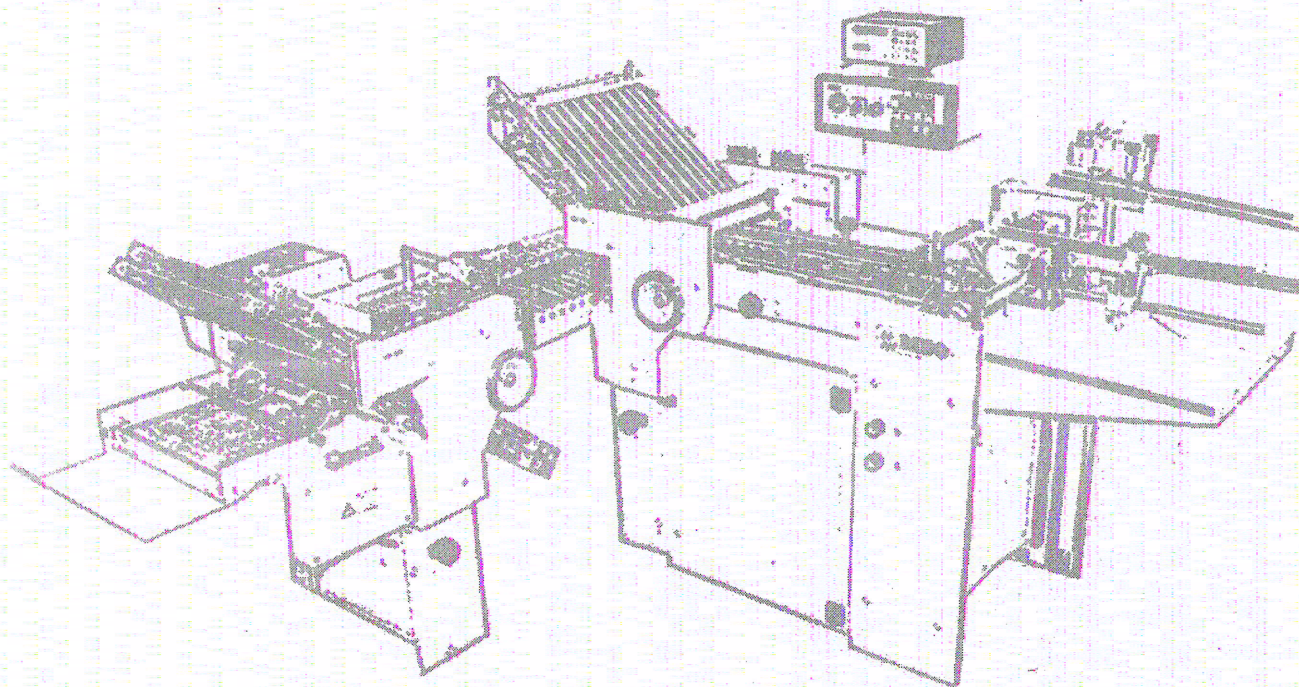
35.8500.04



68

01	holder	35.8544.03	
02	distance piece	35.8544.04	
03	screw	0096008.5	(M6x20 ULS)
04	holder	35.8560.00	
05	screw	0096016.5	(M6x30 ULS)
06	cylinder screw	0088815.5	(M6x18 DIN912)

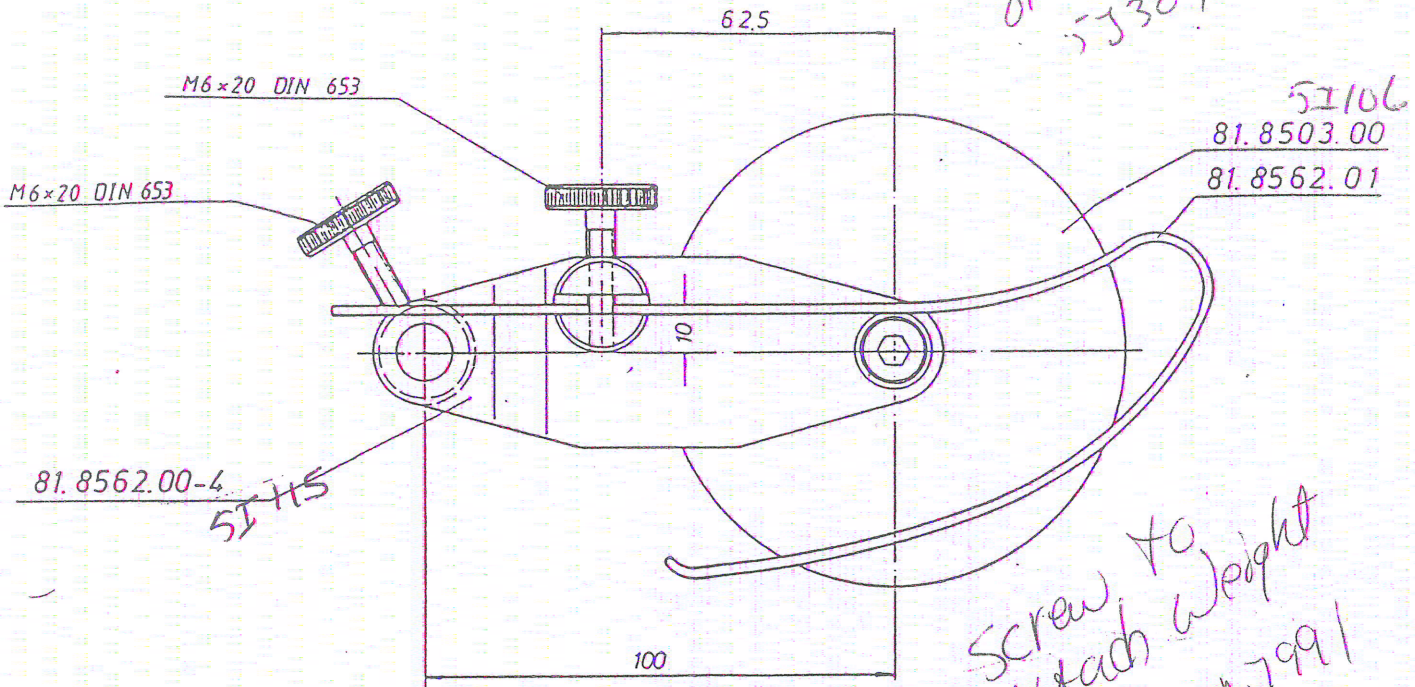
Bracket Assembly 35.8544.03/04



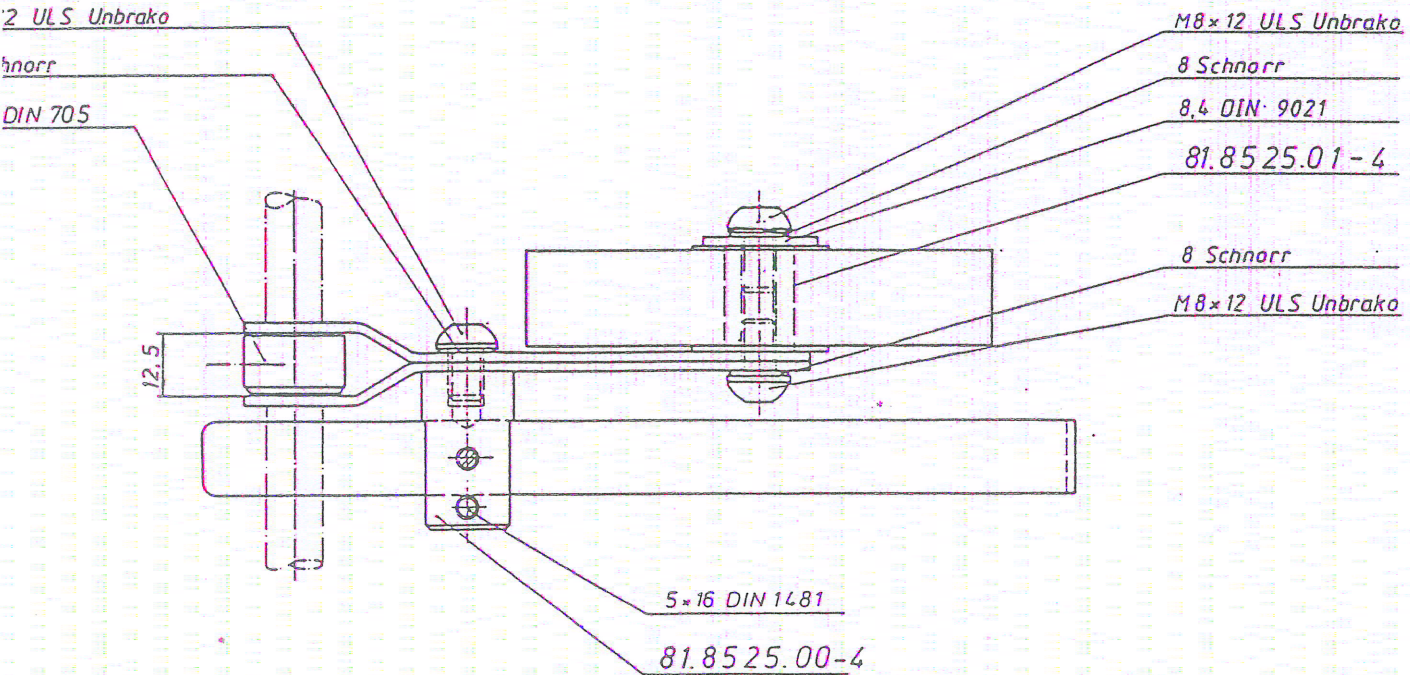
81.8500.10

5I103

81.8526.02
WK
5J307



Screw to
Attach Weight
M8x20 DIN 7991



PART NO: 81.8500.10

5I103